

MATERIAL AND FINISHES:

BODY: BRASS,
PLATED TRI-M

REAR BODY, CABLE CLAMP: BRASS,
PLATED NICKEL

CONTACT: PHOSPHOR BRONZE
PLATED SILVER

INSULATOR: TEFLON

O_RING: SILICONE RUBBER

DUST CAP: PE

COMPATIBLE COAXIAL CABLE:
1/2"FLXIBLE CABLE

PERFORMANCE REQUIREMENTS :

FREQUENCY RANGE: DC-3000 MHz

IMPEDANCE: 50 OHMS

WITHSTAND VOLTAGE: 2000V/AC@0.5mA

RETURN LOSS: $\leq -32\text{dB}$ @0~1GHz

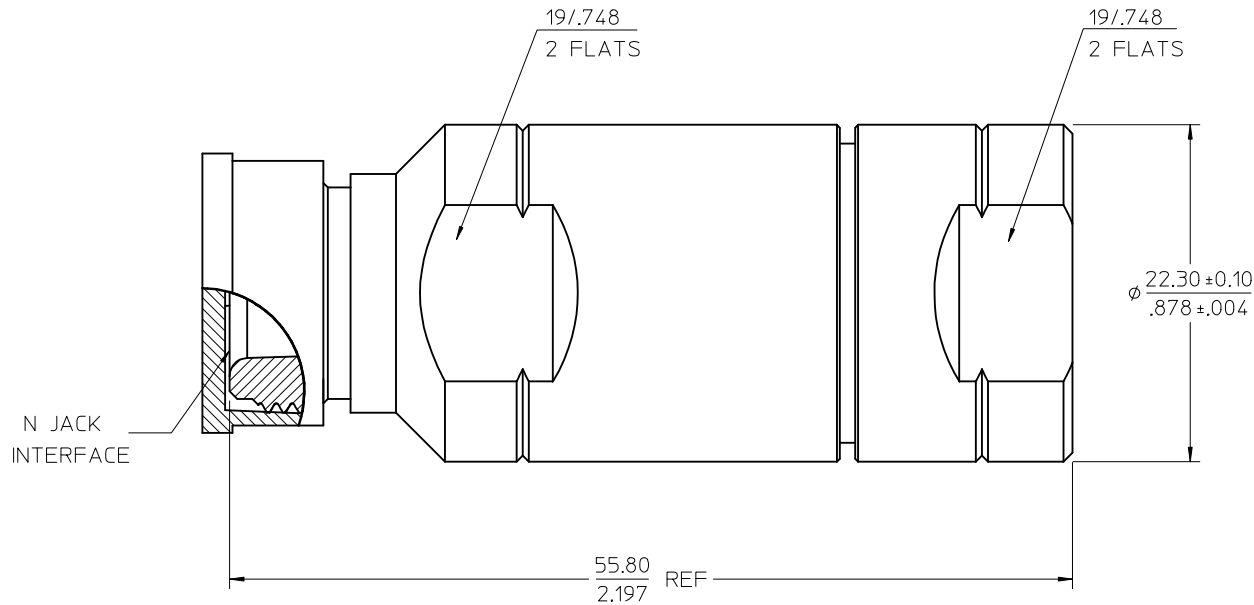
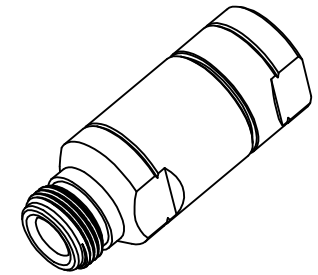
$\leq -30\text{dB}$ @1~2.2GHz

$\leq -26\text{dB}$ @2.2~3GHz

PIM3 (2x43dBm): $\leq -145\text{dBm}$ @900MHz AND 1800MHz

PIM7 (2x43dBm): $\leq -145\text{dBm}$ @2100MHz

WATER-PROOF: IP68 WHEN MATED



O_RING

N JACK
INTERFACE

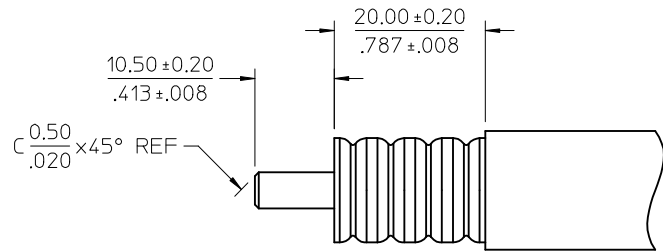
73141-1082	BOX/89797-0410
73141-1081	BOX/89797-0530
73141-1080	BLANK
PART NO.	PACKING

CHG: ADD PRODUCT SPEC. EC NO: URF2015-0677 DRW: MXU11 2015/06/01 CHKD: 2015/06/01 APPR: MYE08	QUALITY SYMBOLS	GENERAL TOLERANCES (UNLESS SPECIFIED)	DIMENSION STYLE	SCALE	DESIGN UNITS	THIRD ANGLE PROJECTION
	▽=0	mm INCH	MM/IN	Metric	Metric	☉
	▽=0	4 PLACES ± --- ± ---	DRAWN BY DATE	TITLE	N JACK 50 OHM FOR 1/2 F CABLE	
	▽=0	3 PLACES ± --- ± ---	MXU11 2012/11/26	SEE TABLE		
	2 PLACES ± --- ± ---	CHECKED BY DATE	LCHEN03 2013/07/03 APPROVED BY DATE SRZHAO 2013/09/25		SD-73141-108 SHEET NO. 1 OF 2	
	1 PLACE ± --- ± ---					
	0 PLACE ± --- ± ---	ANGULAR ± 2 °	MATERIAL NO.	DOCUMENT NO.		
		DRAFT WHERE APPLICABLE MUST REMAIN WITHIN DIMENSIONS	SIZE	THIS DRAWING CONTAINS INFORMATION THAT IS PROPRIETARY TO MOLEX INCORPORATED AND SHOULD NOT BE USED WITHOUT WRITTEN PERMISSION		

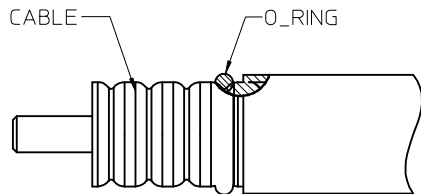
PS-89675-322	PRODUCT SPECIFICATION
IEC 60169-16	INTERFACE
SPECIFICATION	DESCRIPTION

1. STRIP CABLE AS SHOWN.

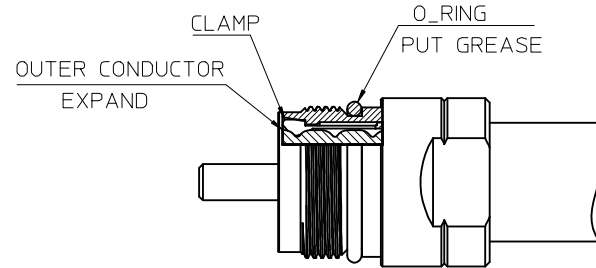
1/2 FLXIBLE CABLE



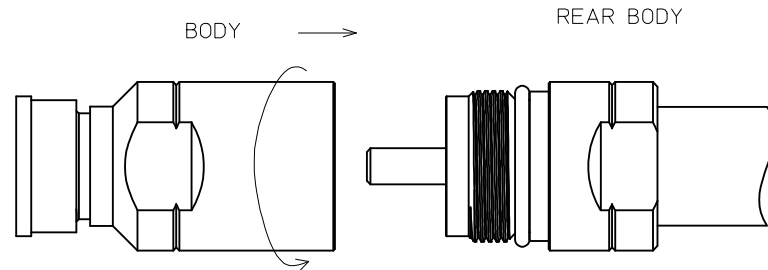
2. PLACE THE O_RING ONTO CABLE AS SHOWN



3. SET BACK DOS SHELL ON CABLE, KEEPING CLAMP STOPPED ON BOTTOM OF WAVE AS INDICATED IN DIAGRAM. EXPAND OUTER CONDUCTOR TO MAKE IT CLING INSIDE SURFACE OF CLAMP.



4. KEEPING REAR BODY STOPPED, SCREW DOWN BODY ONTO REAR BODY. USING MONKEY WRENCH.



CHG: SEE SHEET 1 EC NO: URF2015-0677 DRAWN: MXU11 2015/06/01 CHKD: APPR: MYE08 2015/06/01	DESCRIPTION	QUALITY SYMBOLS	GENERAL TOLERANCES (UNLESS SPECIFIED)	DIMENSION STYLE	SCALE	DESIGN UNITS	THIRD ANGLE PROJECTION																														
		$\nabla = 0$ $\nabla = 0$ $\nabla = 0$	<table border="1"> <tr><th colspan="2">mm</th><th>INCH</th></tr> <tr><td>4 PLACES</td><td>\pm ---</td><td>\pm ---</td></tr> <tr><td>3 PLACES</td><td>\pm ---</td><td>\pm ---</td></tr> <tr><td>2 PLACES</td><td>\pm ---</td><td>\pm ---</td></tr> <tr><td>1 PLACE</td><td>\pm ---</td><td>\pm ---</td></tr> <tr><td>0 PLACE</td><td>\pm ---</td><td>\pm ---</td></tr> </table>	mm		INCH	4 PLACES	\pm ---	\pm ---	3 PLACES	\pm ---	\pm ---	2 PLACES	\pm ---	\pm ---	1 PLACE	\pm ---	\pm ---	0 PLACE	\pm ---	\pm ---	MM/IN	METRIC	<table border="1"> <tr><td>DRAWN BY</td><td>DATE</td><td>TITLE</td></tr> <tr><td>MXU11</td><td>2012/11/26</td><td rowspan="3">N JACK 50 OHM FOR 1/2 F CABLE</td></tr> <tr><td>CHECKED BY</td><td>DATE</td></tr> <tr><td>LCHEN03</td><td>2013/07/03</td></tr> <tr><td>APPROVED BY</td><td>DATE</td><td rowspan="2">molex</td></tr> <tr><td>SRZHAO</td><td>2013/09/25</td></tr> </table>	DRAWN BY	DATE	TITLE	MXU11	2012/11/26	N JACK 50 OHM FOR 1/2 F CABLE	CHECKED BY	DATE	LCHEN03	2013/07/03	APPROVED BY	DATE	molex
mm		INCH																																			
4 PLACES	\pm ---	\pm ---																																			
3 PLACES	\pm ---	\pm ---																																			
2 PLACES	\pm ---	\pm ---																																			
1 PLACE	\pm ---	\pm ---																																			
0 PLACE	\pm ---	\pm ---																																			
DRAWN BY	DATE	TITLE																																			
MXU11	2012/11/26	N JACK 50 OHM FOR 1/2 F CABLE																																			
CHECKED BY	DATE																																				
LCHEN03	2013/07/03																																				
APPROVED BY	DATE	molex																																			
SRZHAO	2013/09/25																																				
A1	REV	ANGULAR $\pm 2^\circ$	DRAFT WHERE APPLICABLE MUST REMAIN WITHIN DIMENSIONS	SEE SHEET 1	DOCUMENT NO. SD-73141-108	SHEET NO. 2 OF 2	THIS DRAWING CONTAINS INFORMATION THAT IS PROPRIETARY TO MOLEX INCORPORATED AND SHOULD NOT BE USED WITHOUT WRITTEN PERMISSION																														

MATERIAL AND FINISHES:

BODY: BRASS,
PLATED TRI-M

REAR BODY, CABLE CLAMP: BRASS,
PLATED NICKEL

CONTACT: PHOSPHOR BRONZE
PLATED SILVER

INSULATOR: TEFLON

O_RING: SILICONE RUBBER

DUST CAP: PE

COMPATIBLE COAXIAL CABLE:
1/2"FLXIBLE CABLE

PERFORMANCE REQUIREMENTS :

FREQUENCY RANGE: DC-3000 MHz

IMPEDANCE: 50 OHMS

WITHSTAND VOLTAGE: 2000V/AC@0.5mA

RETURN LOSS: $\leq -32\text{dB}$ @0~1GHz

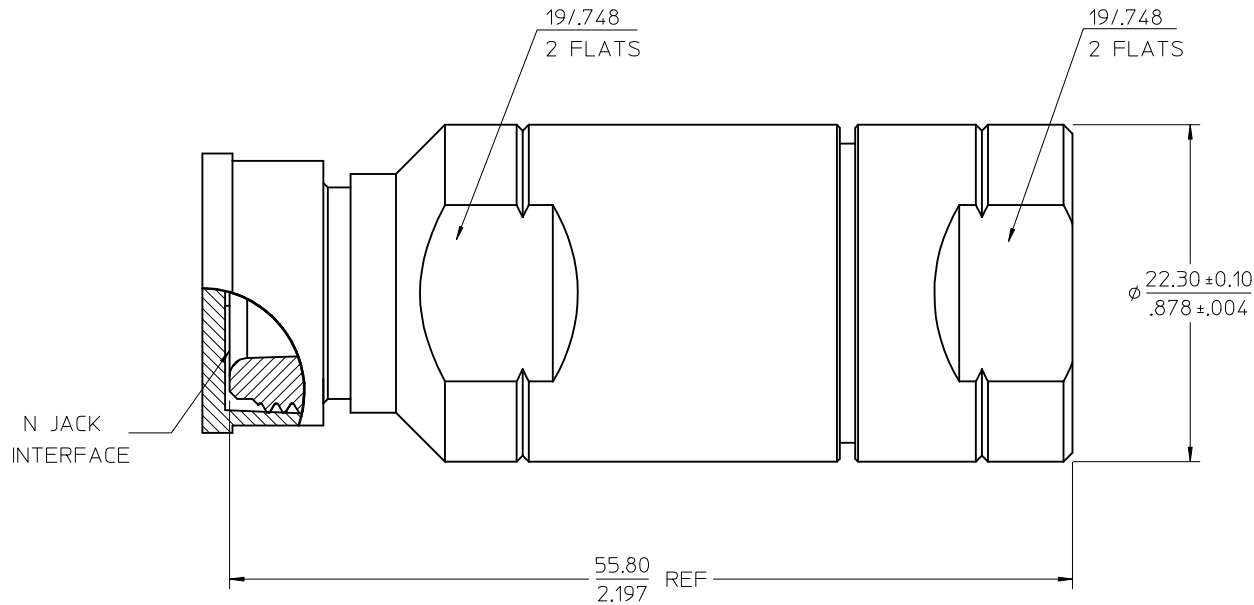
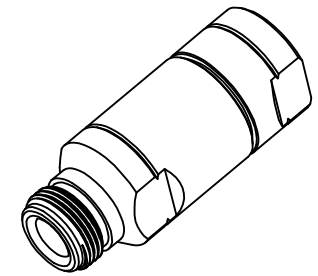
$\leq -30\text{dB}$ @1~2.2GHz

$\leq -26\text{dB}$ @2.2~3GHz

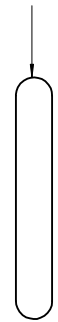
PIM3 (2x43dBm): $\leq -145\text{dBm}$ @900MHz AND 1800MHz

PIM7 (2x43dBm): $\leq -145\text{dBm}$ @2100MHz

WATER-PROOF: IP68 WHEN MATED



O_RING



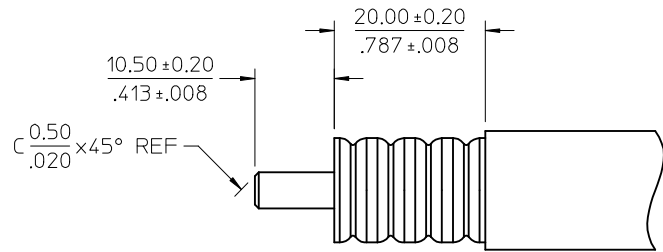
73141-1082	BOX/89797-0410
73141-1081	BOX/89797-0530
73141-1080	BLANK
PART NO.	PACKING

CHG: ADD PRODUCT SPEC. EC NO: URF2015-0677 DRW: MXU11 2015/06/01 CHKD: 2015/06/01 APPR: MYE08	QUALITY SYMBOLS	GENERAL TOLERANCES (UNLESS SPECIFIED)	DIMENSION STYLE	SCALE	DESIGN UNITS	THIRD ANGLE PROJECTION
	▽=0	mm INCH	MM/IN	Metric	Metric	☉
	▽=0	4 PLACES ± --- ± ---	DRAWN BY DATE	TITLE	N JACK 50 OHM FOR 1/2 F CABLE	
	▽=0	3 PLACES ± --- ± ---	CHECKED BY DATE	molex		
		2 PLACES ± --- ± ---	LCHEN03 2013/07/03	SD-73141-108		
		1 PLACE ± --- ± ---	APPROVED BY DATE	SHEET NO. 1 OF 2		
		0 PLACE ± --- ± ---	SRZHAO 2013/09/25	DOCUMENT NO.		
		ANGULAR ± 2 °	MATERIAL NO.	THIS DRAWING CONTAINS INFORMATION THAT IS PROPRIETARY TO MOLEX INCORPORATED AND SHOULD NOT BE USED WITHOUT WRITTEN PERMISSION		
		DRAFT WHERE APPLICABLE MUST REMAIN WITHIN DIMENSIONS	SIZE C			

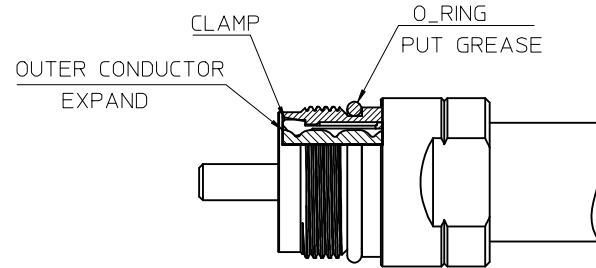
PS-89675-322	PRODUCT SPECIFICATION
IEC 60169-16	INTERFACE
SPECIFICATION	DESCRIPTION

1. STRIP CABLE AS SHOWN.

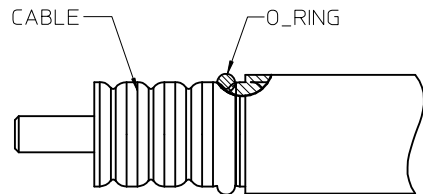
1/2 FLXIBLE CABLE



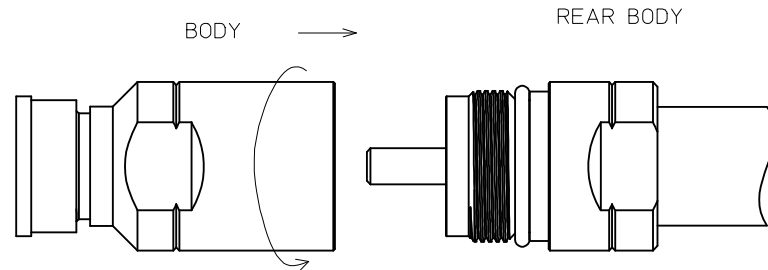
3. SET BACK DOS SHELL ON CABLE,
KEEPING CLAMP STOPPED ON BOTTOM OF
WAVE AS INDICATED IN DIAGRAM.
EXPAND OUTER CONDUCTOR TO MAKE IT CLING
INSIDE SURFACE OF CLAMP.



2. PLACE THE O_RING ONTO CABLE AS SHOWN



4. KEEPING REAR BODY STOPPED,
SCREW DOWN BODY ONTO REAR BODY.
USING MONKEY WRENCH.



CHG: SEE SHEET 1 EC NO: URF2015-0677 DRAWN: MXU11 2015/06/01 CHKD: APPR: MYE08 2015/06/01	DESCRIPTION	QUALITY SYMBOLS	GENERAL TOLERANCES (UNLESS SPECIFIED)	DIMENSION STYLE	SCALE	DESIGN UNITS	THIRD ANGLE PROJECTION																														
		$\nabla = 0$ $\nabla = 0$ $\nabla = 0$	<table border="1"> <tr><th colspan="2">mm</th><th>INCH</th></tr> <tr><td>4 PLACES</td><td>± ---</td><td>± ---</td></tr> <tr><td>3 PLACES</td><td>± ---</td><td>± ---</td></tr> <tr><td>2 PLACES</td><td>± ---</td><td>± ---</td></tr> <tr><td>1 PLACE</td><td>± ---</td><td>± ---</td></tr> <tr><td>0 PLACE</td><td>± ---</td><td>± ---</td></tr> </table>	mm		INCH	4 PLACES	± ---	± ---	3 PLACES	± ---	± ---	2 PLACES	± ---	± ---	1 PLACE	± ---	± ---	0 PLACE	± ---	± ---	MM/IN	METRIC	<table border="1"> <tr><td>DRAWN BY</td><td>DATE</td><td>TITLE</td></tr> <tr><td>MXU11</td><td>2012/11/26</td><td rowspan="3">N JACK 50 OHM FOR 1/2 F CABLE</td></tr> <tr><td>CHECKED BY</td><td>DATE</td></tr> <tr><td>LCHEN03</td><td>2013/07/03</td></tr> <tr><td>APPROVED BY</td><td>DATE</td><td rowspan="2">molex</td></tr> <tr><td>SRZHAO</td><td>2013/09/25</td></tr> </table>	DRAWN BY	DATE	TITLE	MXU11	2012/11/26	N JACK 50 OHM FOR 1/2 F CABLE	CHECKED BY	DATE	LCHEN03	2013/07/03	APPROVED BY	DATE	molex
mm		INCH																																			
4 PLACES	± ---	± ---																																			
3 PLACES	± ---	± ---																																			
2 PLACES	± ---	± ---																																			
1 PLACE	± ---	± ---																																			
0 PLACE	± ---	± ---																																			
DRAWN BY	DATE	TITLE																																			
MXU11	2012/11/26	N JACK 50 OHM FOR 1/2 F CABLE																																			
CHECKED BY	DATE																																				
LCHEN03	2013/07/03																																				
APPROVED BY	DATE	molex																																			
SRZHAO	2013/09/25																																				
A1	REV	ANGULAR ± 2°	DRAFT WHERE APPLICABLE MUST REMAIN WITHIN DIMENSIONS	SEE SHEET 1	DOCUMENT NO. SD-73141-108	SHEET NO. 2 OF 2	THIS DRAWING CONTAINS INFORMATION THAT IS PROPRIETARY TO MOLEX INCORPORATED AND SHOULD NOT BE USED WITHOUT WRITTEN PERMISSION																														