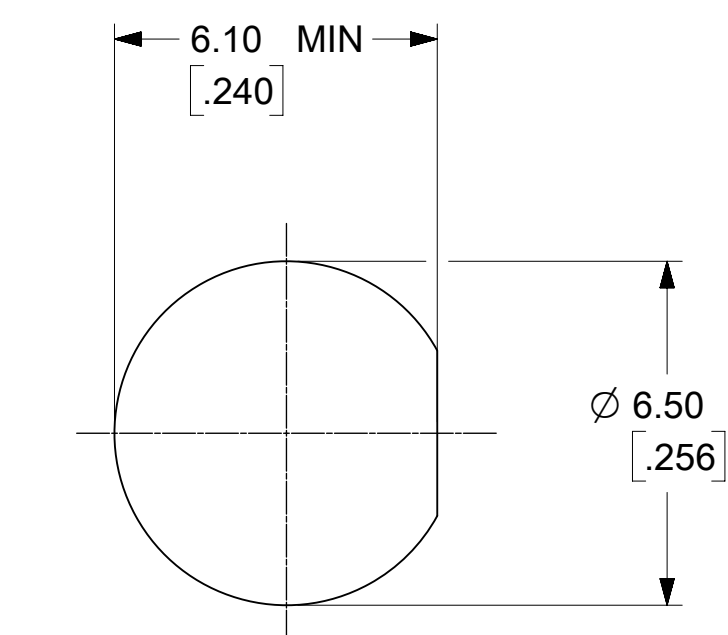
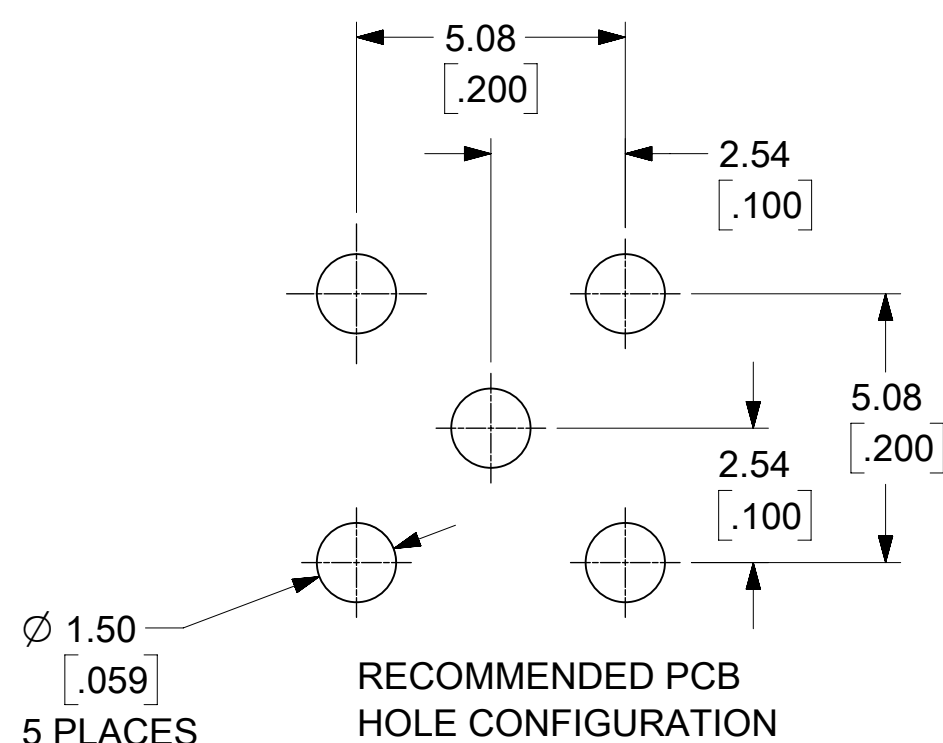
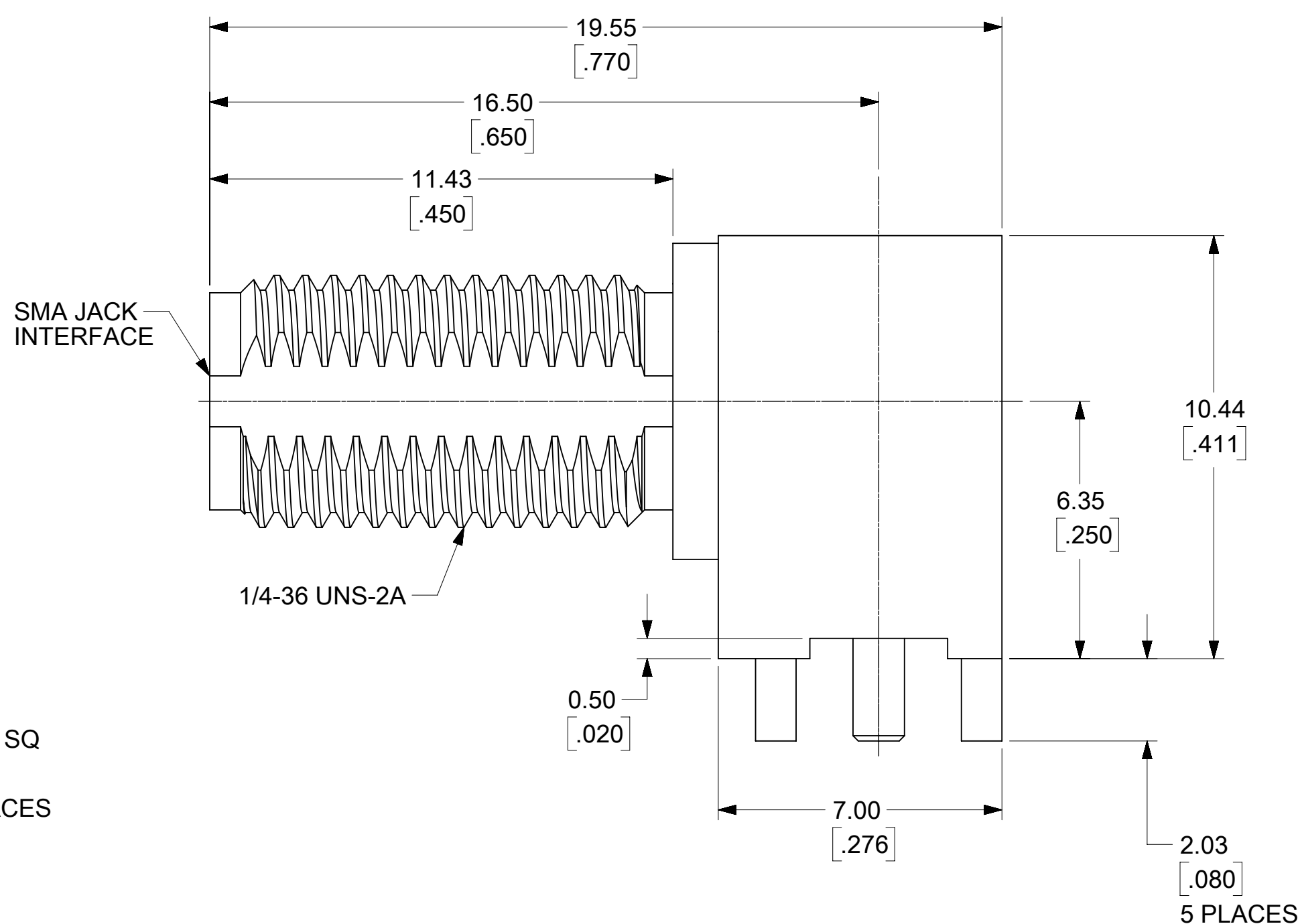
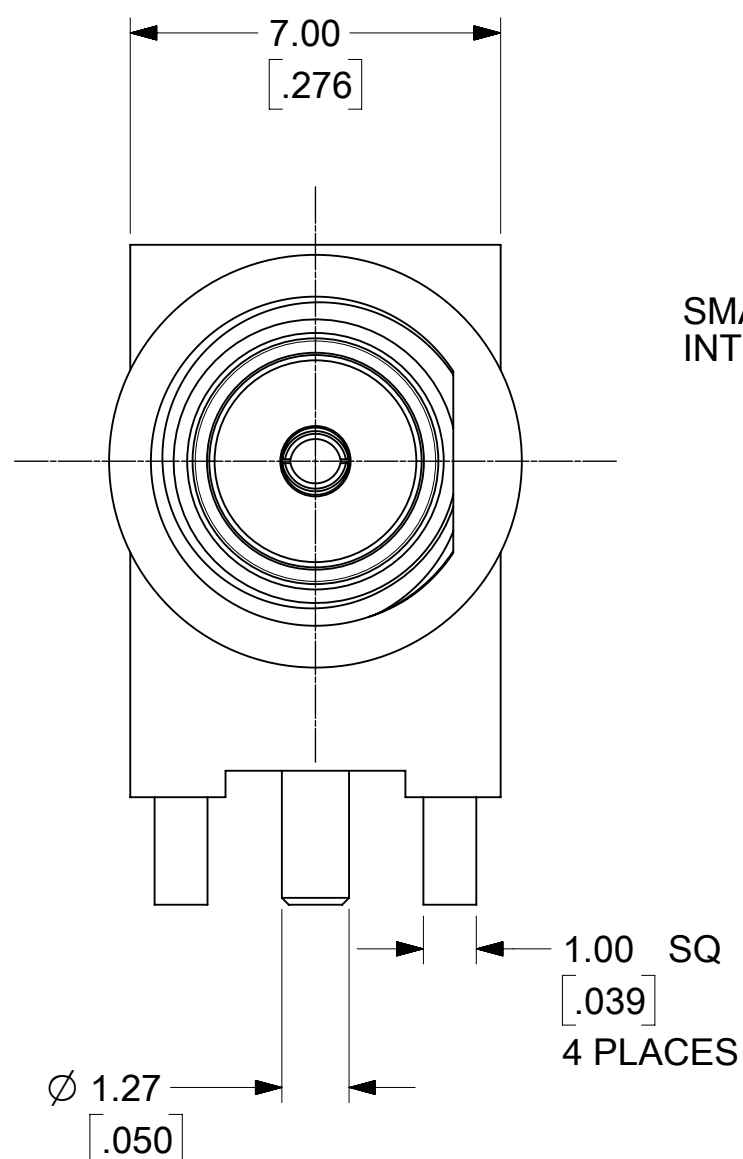


MATERIALS AND FINISHES:

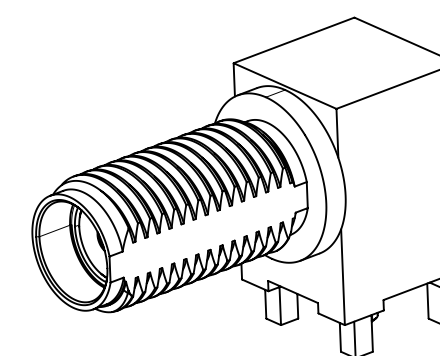
BODY: BRASS
FINISH: NICKEL

CENTER CONTACT: BERYLLIUM COPPER
FINISH: GOLD

INSULATOR: TEFLON



PANEL CUT OUT



PART # 73251-4290

PS-73598-0460	ELECTRO/MECH PERFORM
SPECIFICATION	DESCRIPTION

SYMBOLS ▽ = 0 ▽ = 0 ▽ = 0 ▽ = 0 ▽ = 0 ▽ = 0 ▽ = 0 ▽ = 0 ▽ = 0 ▽ = 0	THIS DRAWING CONTAINS INFORMATION THAT IS PROPRIETARY TO MOLEX ELECTRONIC TECHNOLOGIES, LLC AND SHOULD NOT BE USED WITHOUT WRITTEN PERMISSION DIMENSION UNITS: HYBRID SCALE:	CURRENT REV DESC: MIGRATED TO NX EC NO: 175545 DRWN: SMAHESHBABU 2018/02/22 CHK'D: CWEI02 2018/04/25 APPR: YCHENG 2018/04/26			
	GENERAL TOLERANCES (UNLESS SPECIFIED) ANGULAR TOL ± 2.0° 4 PLACES ± 3 PLACES ± 2 PLACES ± 1 PLACE ± 0 PLACES ±	INITIAL REVISION: DRWN: JLEE02 2010/08/11 APPR: JWIENER 2010/09/02	SMA JACK R/A TH BH 50 OHM, EWR-4478 SMA-J/RA/PCB PRODUCT CUSTOMER DRAWING		
DRAFT WHERE APPLICABLE MUST REMAIN WITHIN DIMENSIONS THIRD ANGLE PROJECTION DRAWING: C-SIZE SERIES: 73251	MATERIAL NUMBER: 732514290 CUSTOMER: GENERAL MARKET SHEET NUMBER: 1 OF 1	DOCUMENT NUMBER: SD-73251-429 DOC TYPE: PSD DOC PART: 001 REVISION: A1			

DOCUMENT STATUS	P1	RELEASE DATE	2018/04/26	01:26:10
-----------------	----	--------------	------------	----------