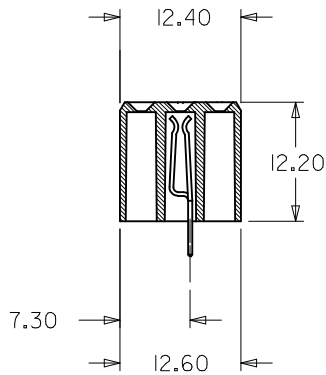
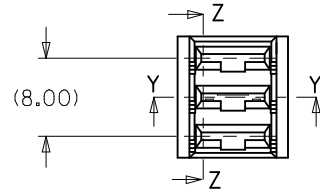
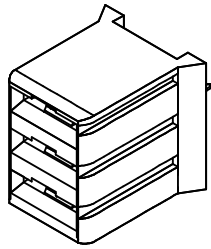
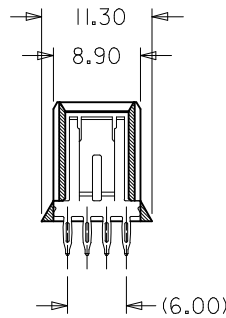


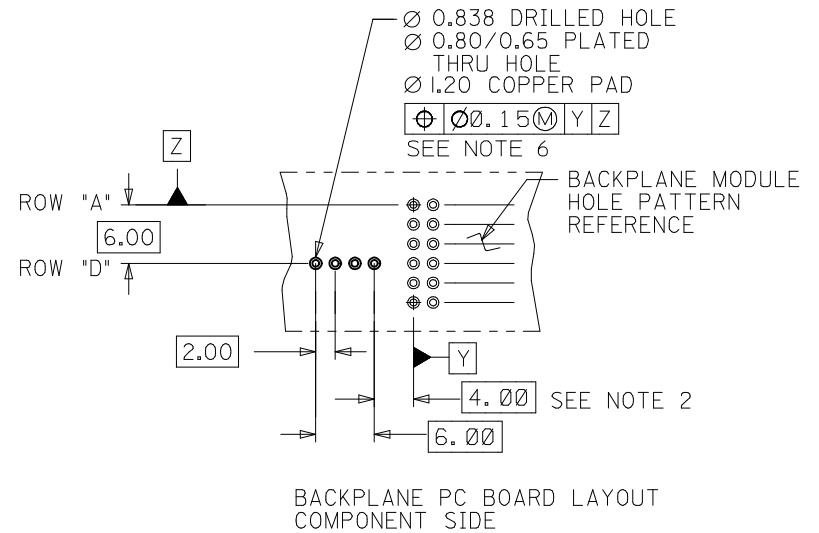
- NOTES:
 1. DIMENSIONS ARE IN MILLIMETERS.
 2. THIS DIMENSION MUST BE A MULTIPLE OF 4.00mm.
 3. THIS PART CONFORMS TO MOLEX PRODUCT SPECIFICATION PS-73670-9999.
 4. PACKAGE ASSEMBLIES PER PK-70873-0819.
 5. THIS PART CONFORMS TO CLASS B OF COSMETIC SPECIFICATION PS-45499-002.
 6. HOLE SIZE SPECIFICATION IS FOR TIN/LEAD PLATED HOLES ONLY. FOR OTHER PLATING TYPES SEE MOLEX APPLICATION AS-73670-9996.



SECTION: Z-Z
ROTATED 90° CW



SECTION: Y-Y



BACKPLANE PC BOARD LAYOUT
COMPONENT SIDE

ADD NOTES 4 THRU 6 EC NO: UCP2009-1813 DRWN: SDANNELLEY 2009/07/17 CHKD: HSMART 2009/07/24 APPR: SWILLER 2009/07/24	REV DESCRIPTION 1	QUALITY SYMBOLS	GENERAL TOLERANCES (UNLESS SPECIFIED)	DIMENSION STYLE MM ONLY		SCALE 2:1	DESIGN UNITS METRIC	THIRD ANGLE PROJECTION
		▼=0 ▽=0	mm INCH 4 PLACES ± --- ± --- 3 PLACES ± --- ± --- 2 PLACES ± 0.15 ± --- 1 PLACE ± 0.25 ± --- ANGULAR ± 1/2°	DRAWN BY DATE BINGHAM 1998/05/05 CHECKED BY DATE ELO 1998/05/05 APPROVED BY DATE BIXLER 1998/05/05	TITLE SALES ASSY , HDM BACKPLANE POWER MODULE CUSTOM LOADED			
		DRAFT WHERE APPLICABLE MUST REMAIN WITHIN DIMENSIONS		MATERIAL NO. 73656-0190	DOCUMENT NO. SDA-73656-0190	SHEET NO. 1 OF 1		
		SIZE B		THIS DRAWING CONTAINS INFORMATION THAT IS PROPRIETARY TO MOLEX INCORPORATED AND SHOULD NOT BE USED WITHOUT WRITTEN PERMISSION				