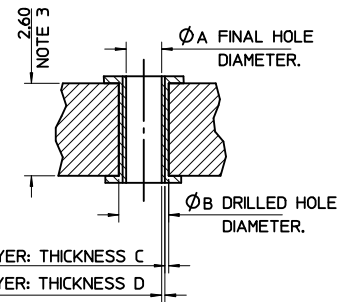
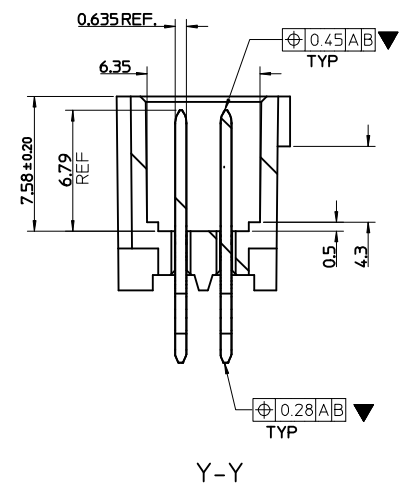
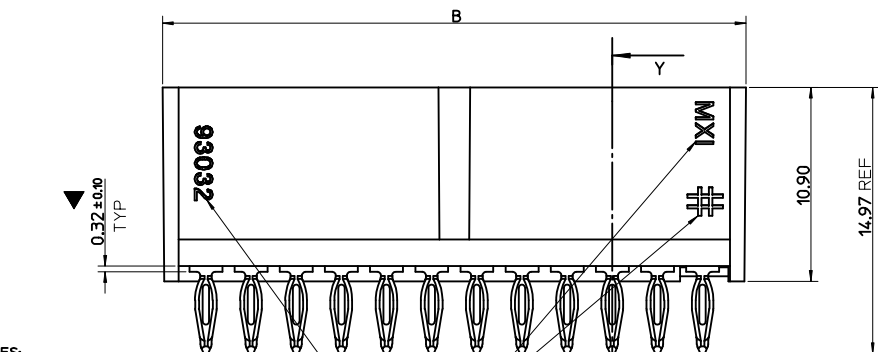


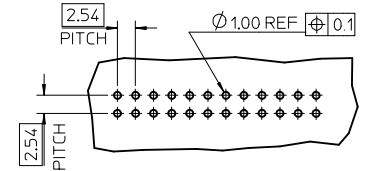
RECOMMENDED P.C.B. HOLE SPECIFICATION



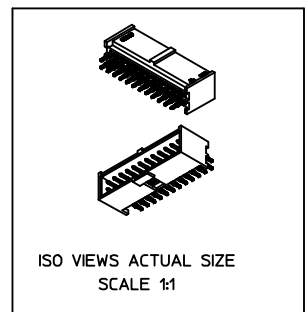
DIM	TYPE OF PCB	
	TIN	OSP
A	Ø 1.00 +0.09/-0.06	Ø 1.00 +0.09/-0.06
B	Ø 1.15±0.025	Ø 1.17±0.025
C	35 TO 80µm	35 TO 80µm
D	5 TO 10µm	N/A



RECOMMENDED P.C.B. LAYOUT (COMPONENT SIDE)



- NOTES:
- MATERIAL:
 - PIN: 0.635mm REF THICK PHOSPHOR BRONZE
 - HOUSING: 15% GLASS FILLED P.B.T.
 - UL 94 V-0 COLOR BLACK
 - PLATINGS:
 - MATING SIDE: GOLD OVER NICKEL
 - PRESS-FIT SIDE: TIN OVER NICKEL
 - PCB THICKNESS 2.6mm. ±TOL 0.26mm
 - PRODUCT CONFORMS TO PRODUCT SPEC PS-93032-001
 - CONFORMS TO PACKAGING SPECIFICATION PK-93032-001
 - FOR OTHER VERSIONS, CONTACT MOLEX
 - SEE LOCATIONS OF MOLEX IDENTIFICATION, PART AND CAVITY NUMBER.
 - MATES WITH MOLEX SERIES: 90142 (HOUSING) & 90119 (TERMINAL)
 - FOR APPLICATION TOOLING, SEE APPLICATION SPEC AS-93032-001.
 - SEE LOCATION FOR TRACABILITY MARKING. SEE BELOW FOR DETAIL:
 - IMPRESSION MARK FROM ASSY TOOLING MAY BE VISIBLE



YEAR X X X X X X
WEEK X X X X X X HOUR DAY

ADD CCT NO. EC NO: E2009-0284 DRWN: BMAGUIRE 2008/12/03 CHKD: 2008/12/03 APPR: BMAGUIRE 2008/12/03	QUALITY SYMBOLS ▽=3 ▽=0	GENERAL TOLERANCES (UNLESS SPECIFIED)		DIMENSION STYLE MM ONLY		SCALE 5:1	DESIGN UNITS METRIC	THIRD ANGLE PROJECTION
		4 PLACES ± --- ± --- 3 PLACES ± --- ± --- 2 PLACES ± 0.10 ± --- 1 PLACE ± 0.2 ± --- ANGULAR ± 1/2°	mm INCH ± --- ± --- ± 0.10 ± --- ± 0.2 ± ---	DRAWN BY N. MCNAMARA	DATE 16/02/2007	CHECKED BY S. MCMAHON	DATE 19/02/2007	TITLE PRESS-FIT EYE OF THE NEEDLE HEADER
APPROVED BY B. MAGUIRE	DATE 21/02/2007	MATERIAL NO. See Sheet 2		MOLEX INCORPORATED		DOCUMENT NO. SD-93032-001		
DRAFT WHERE APPLICABLE MUST REMAIN WITHIN DIMENSIONS		SIZE A2		THIS DRAWING CONTAINS INFORMATION THAT IS PROPRIETARY TO MOLEX INCORPORATED AND SHOULD NOT BE USED WITHOUT WRITTEN PERMISSION			SHEET NO. 1 OF 2	

Circuit Size	Dim A	Dim B ±0.20	Dim C ±0.20	Part Number
6	5.08	9.96	8.12	93032-0006
8	7.62	12.50	10.66	93032-0008
10	10.16	15.04	13.20	93032-0010
12	12.70	17.58	15.74	93032-0012
14	15.24	20.12	18.28	93032-0014
16	17.78	22.66	20.82	93032-0016
18	20.32	25.20	23.36	93032-0018
20	22.86	27.74	25.90	93032-0020
22	25.40	30.28	28.44	93032-0022
24	27.94	32.82	30.98	93032-0024
26	30.48	35.36	33.52	93032-0026
28	33.02	37.90	36.06	93032-0028

Circuit Size	Dim A	Dim B ±0.20	Dim C ±0.20	Part Number
30	35.56	40.44	38.60	93032-0030
32	38.10	42.98	41.14	93032-0032
34	40.64	45.52	43.68	93032-0034
36	43.18	48.06	46.22	93032-0036
38	45.72	50.60	48.76	93032-0038
40	48.26	53.14	51.30	93032-0040
42	50.80	55.68	53.68	93032-0042
44	53.34	58.22	56.38	93032-0044
46	55.88	60.76	58.92	93032-0046
48	58.42	63.30	61.46	93032-0048
50	60.96	65.84	64.00	93032-0050

See Sheet 1 EC NO: E2009-0284 DRWN: BMAGUIRE 2008/12/03 CHKD: 2008/12/03 APPR: BMAGUIRE 2008/12/03	DESCRIPTION REV	QUALITY SYMBOLS	GENERAL TOLERANCES (UNLESS SPECIFIED)	DIMENSION STYLE	SCALE	DESIGN UNITS	THIRD ANGLE PROJECTION
		▽=0 □=0	mm INCH 4 PLACES ± --- ± --- 3 PLACES ± --- ± --- 2 PLACES ± 0.10 ± --- 1 PLACE ± 0.2 ± --- ANGULAR ± 1/2°	MM ONLY DRAWN BY: N. MCNAMARA DATE: 16/02/2007 CHECKED BY: S. MCMAHON DATE: 19/02/2007 APPROVED BY: B. MAGUIRE DATE: 21/02/2007	1:1	METRIC	TITLE PRESS-FIT EYE OF THE NEEDLE HEADER
			DRAFT WHERE APPLICABLE MUST REMAIN WITHIN DIMENSIONS	MATERIAL NO. See Table	MOLEX INCORPORATED DOCUMENT NO. SD-93032-001	SHEET NO. 2 OF 2	
			SIZE A3	THIS DRAWING CONTAINS INFORMATION THAT IS PROPRIETARY TO MOLEX INCORPORATED AND SHOULD NOT BE USED WITHOUT WRITTEN PERMISSION			