

Cable data sheet

Conductors:
Material: Bare Copper
Insulation Compound: PVC
Section: 3x0.34mm²
Stranding: 42x0.1 mm
Jacket:
Compound: Outer PUR / Inner PVC
Color: Black
Diameter: 5.3 +0.3/-0.2mm
Temperature range (static): -30/+80°C
Temperature range (dynamic): -5/+80°C

Bill of Materials

14	1	LABEL YELLOW	VINYL	-
13	1	INSERT 4 POLE MALE M12	PUR	-
12	4	CONTACT MALE	BRASS	SELECTIVE GOLD OVER NICKEL
11	1	COUPLING NUT MALE	BRASS	NICKEL PLATED
10	1	CENTRE SPACER-I.L.S.-YELLOW	PVC	-
9	-	MOLDING MATERIAL YELLOW	PVC	-
8	3	I/D CARRIER TRANSPARENT	PVC	-
7	2	LABEL MARKER	-	-
6	-	MOLDING MATERIAL BLACK	PUR	-
5	2	COUPLING NUT FEMALE	BRASS	NICKEL PLATED
4	2	INSERT 5 POLE FEMALE M12	PUR	-
3	8	CONTACT FEMALE	BRASS	SELECTIVE GOLD OVER NICKEL
2	2	ORING RED	FPM	-
1	-	CABLE 3x0.34mm ² BLACK OD=5.3mm	PUR/PVC	-
ITEM	QTY.	DESCRIPTION	MATERIAL	FINISH

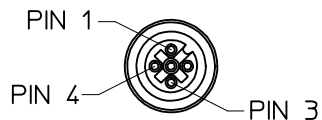
Notes:

1. Dimensions without tolerance are referential.

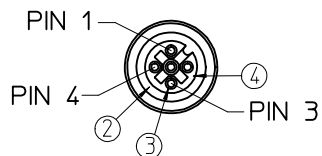
Engineering No.: 1200688199

ORIGINAL RELEASE EC NO: IPG2016-0320 DRWN:APAWLAK01 2015/08/28 CHKD:FGAIK 2015/08/28 APPR:MIWASIECZKO 2015/08/31	QUALITY SYMBOLS	GENERAL TOLERANCES (UNLESS SPECIFIED)	DIMENSION STYLE	SCALE	DESIGN UNITS	THIRD ANGLE PROJECTION
	▼=0 ◻=0	mm INCH 4 PLACES ± --- ± --- 3 PLACES ± --- ± --- 2 PLACES ± --- ± --- 1 PLACE ± --- ± --- 0 PLACE ± --- ± ---	MM ONLY	-	METRIC	
		ANGULAR ± --- °	DRAWN BY DATE	TITLE	ILS-4P-MA/ST 2XFE-ST/ST-0.5M	
		DRAFT WHERE APPLICABLE MUST REMAIN WITHIN DIMENSIONS	CHECKED BY DATE		molex SD-120068-019	
		APPROVED BY DATE			DOCUMENT NO.	SHEET NO.
		MATERIAL NO.	1200688199			1 OF 1
		SIZE	A3	THIS DRAWING CONTAINS INFORMATION THAT IS PROPRIETARY TO MOLEX INCORPORATED AND SHOULD NOT BE USED WITHOUT WRITTEN PERMISSION		

FACE VIEW
M12 FEMALE 3 POLE



FACE VIEW
M12 FEMALE 3 POLE

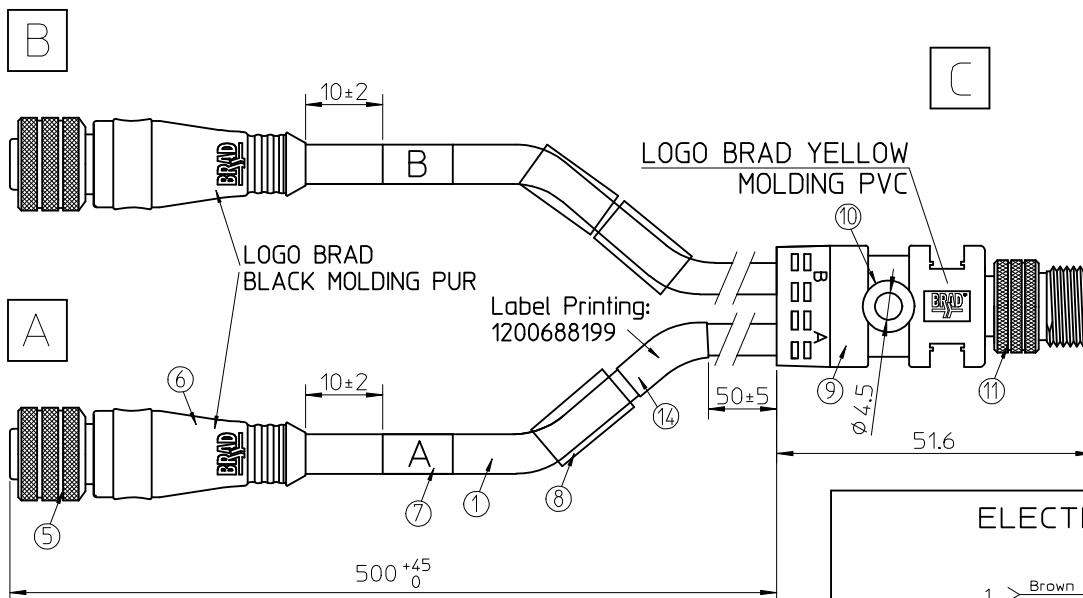


Cable data sheet

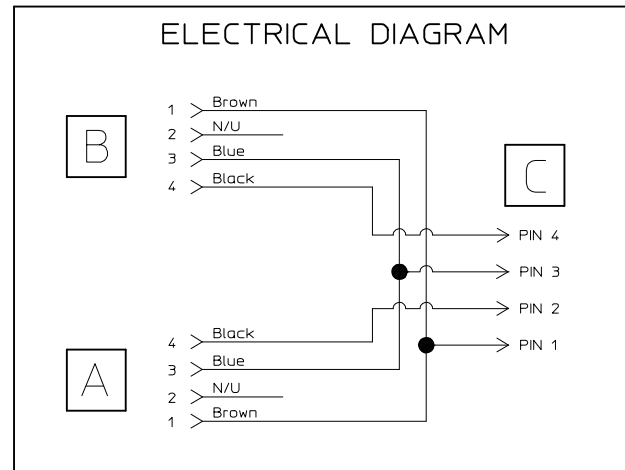
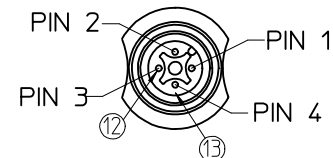
Conductors:
Material: Bare Copper
Insulation Compound: PVC
Section: 3x0.34mm²
Stranding: 42x0.1 mm
Jacket:
Compound: Outer PUR / Inner PVC
Color: Black
Diameter: 5.3 +0.3/-0.2mm
Temperature range (static): -30/+80°C
Temperature range (dynamic): -5/+80°C

Bill of Materials

ITEM	QTY.	DESCRIPTION	MATERIAL	FINISH
14	1	LABEL YELLOW	VINYL	-
13	1	INSERT 4 POLE MALE M12	PUR	-
12	4	CONTACT MALE	BRASS	SELECTIVE GOLD OVER NICKEL
11	1	COUPLING NUT MALE	BRASS	NICKEL PLATED
10	1	CENTRE SPACER-I.L.S.-YELLOW	PVC	-
9	-	MOLDING MATERIAL YELLOW	PVC	-
8	3	I/D CARRIER TRANSPARENT	PVC	-
7	2	LABEL MARKER	-	-
6	-	MOLDING MATERIAL BLACK	PUR	-
5	2	COUPLING NUT FEMALE	BRASS	NICKEL PLATED
4	2	INSERT 5 POLE FEMALE M12	PUR	-
3	8	CONTACT FEMALE	BRASS	SELECTIVE GOLD OVER NICKEL
2	2	ORING RED	FPM	-
1	-	CABLE 3x0.34mm ² BLACK OD=5.3mm	PUR/PVC	-



FACE VIEW
M12 MALE 4 POLE



Notes:

1. Dimensions without tolerance are referential.

Engineering No.: 1200688199

ORIGINAL RELEASE EC NO: IPG2016-0320 DRWN:APAWLAK01 2015/08/28 CHKD:FGAIK 2015/08/28 APPR:MIWASIECZKO 2015/08/31	QUALITY SYMBOLS	GENERAL TOLERANCES (UNLESS SPECIFIED)	DIMENSION STYLE MM ONLY	SCALE -	DESIGN UNITS METRIC	THIRD ANGLE PROJECTION	
	$\nabla=0$ $\sphericalangle=0$	mm INCH 4 PLACES ± --- ± --- 3 PLACES ± --- ± --- 2 PLACES ± --- ± --- 1 PLACE ± --- ± --- 0 PLACE ± --- ± ---	DRAWN BY: APAWLAK01 DATE: 2015/08/28 CHECKED BY: FGAIK DATE: 2015/08/28 APPROVED BY: MIWASIECZKO DATE: 2015/08/31	TITLE			
		ANGULAR ± --- °	MATERIAL NO. 1200688199	ILS-4P-MA/ST 2XFE-ST/ST-0.5M			
		DRAFT WHERE APPLICABLE MUST REMAIN WITHIN DIMENSIONS	SIZE A3	molex SD-120068-019		DOCUMENT NO.	SHEET NO. 1 OF 1