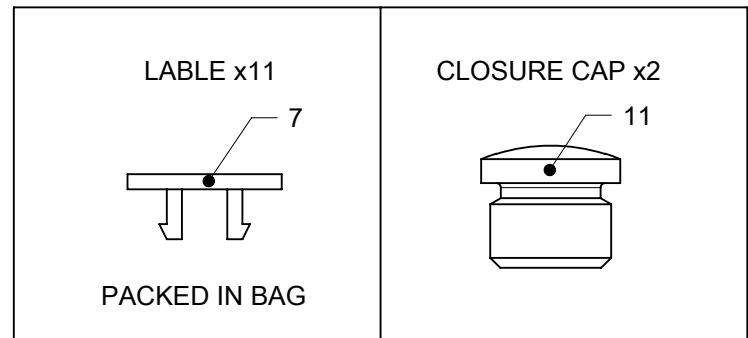
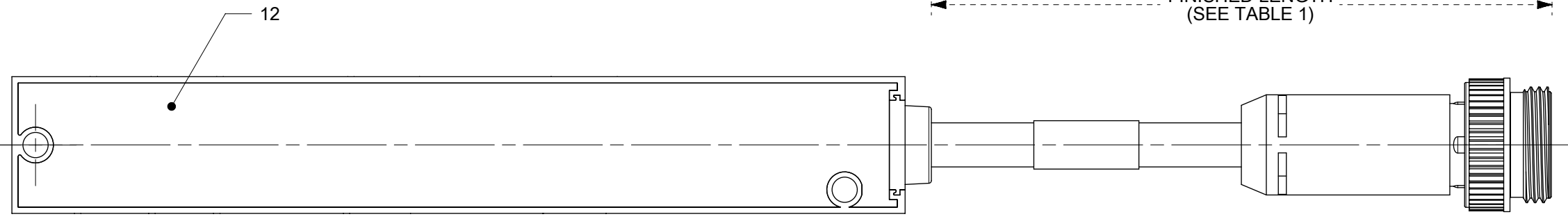
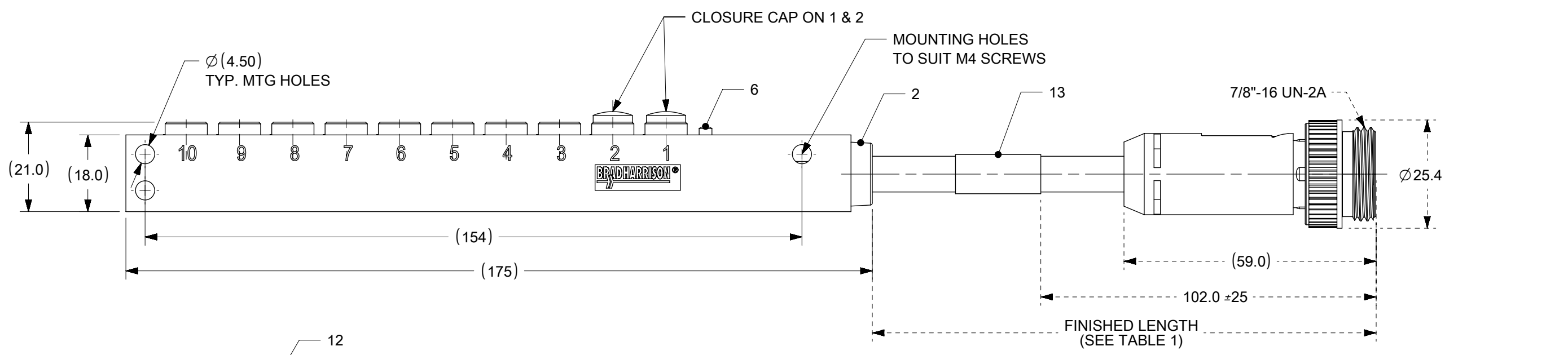
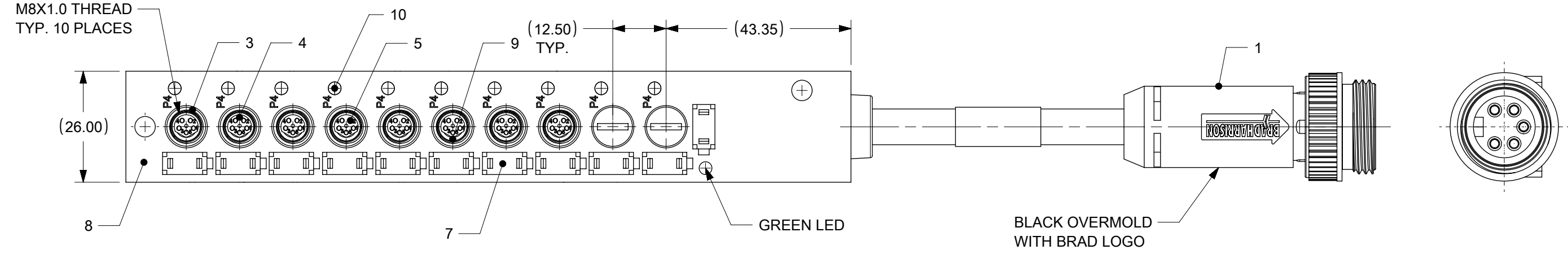


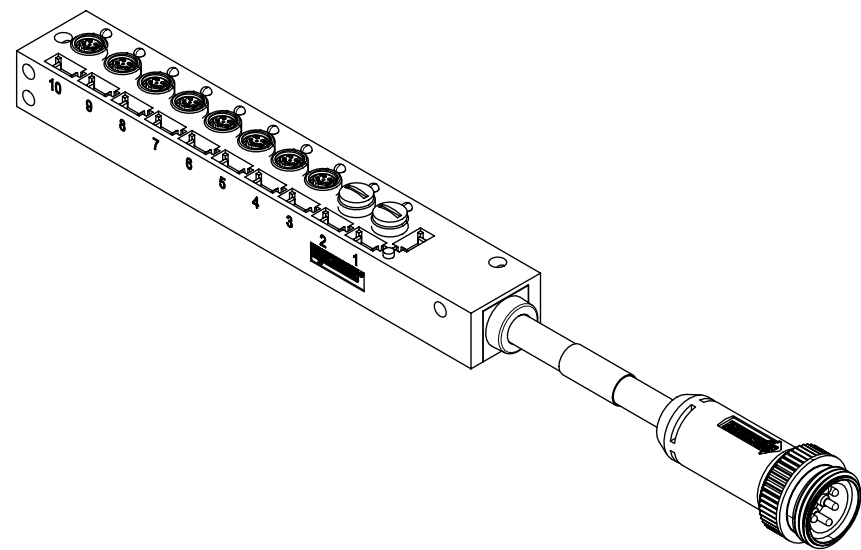
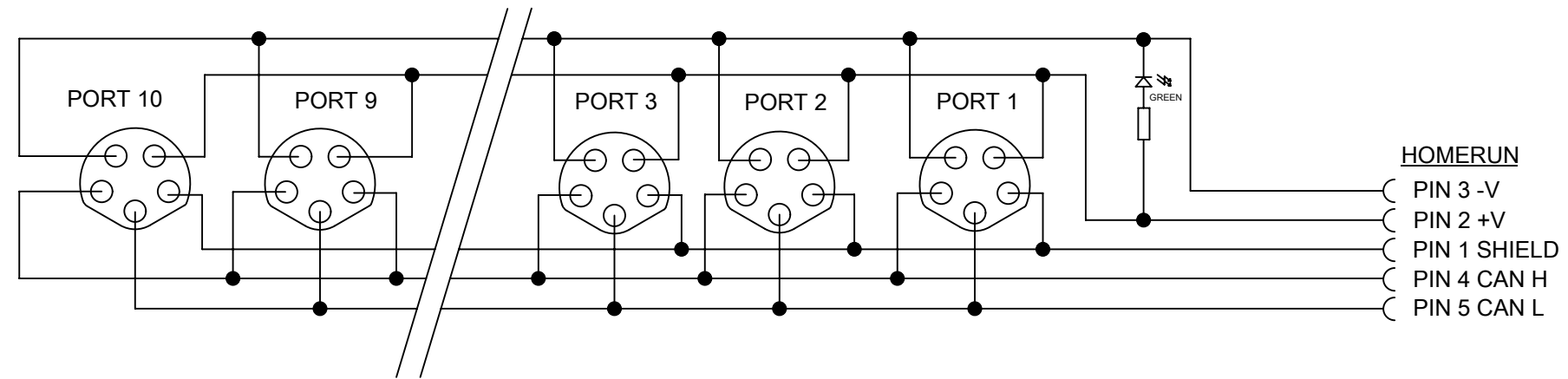
M8X1.0 THREAD  
TYP. 10 PLACES



**ELECTRICAL DATA :**  
**VOLTAGE : 10-30VDC**  
**CURRENT RATING : 2A PER PORT, 6 AMPS MAX.**  
**PROTECTION CLASS : IP68**

FUNCTIONAL SYMBOLS	THIS DRAWING CONTAINS INFORMATION THAT IS PROPRIETARY TO MOLEX ELECTRONIC TECHNOLOGIES, LLC AND SHOULD NOT BE USED WITHOUT WRITTEN PERMISSION			
	$\nabla_A = 0$ $\nabla_F = 0$ $\nabla_P = 0$	DIMENSION UNITS: <b>mm</b> SCALE: <b>1:1</b>		
DIVISIONAL SYMBOLS	GENERAL TOLERANCES (UNLESS SPECIFIED)		EC NO: 637503 DRWN: RSCHIEBER CHK'D: RSILLER APPR: RSILLER	
	4 PLACES ± 3 PLACES ± 2 PLACES ± 1 PLACE ± 0 PLACES ±	MM INCH ± 0.01 ± 0.3 ± 2.0°	2020/05/12 2020/05/20 2020/05/20 INITIAL REVISION: DRWN: DRAWN BY APPR: APPR BY	PRODUCT CUSTOMER DRAWING DOCUMENT NUMBER: <b>1300380008</b> DOC TYPE: PSD DOC PART: 000 REVISION: <b>A1</b>
DRAFT WHERE APPLICABLE MUST REMAIN WITHIN DIMENSIONS		THIRD ANGLE PROJECTION	DRAWING: <b>A3-SIZE</b>	SHEET NUMBER: <b>1 OF 2</b>

# WIRING DIAGRAM



## BILL OF MATERIALS

ITEM	QTY.	DESCRIPTION	MATERIAL	FINISH/COLOR
1	1	MC 5P SUB-ASSEMBLY	-	-
2	1	CABLE PLATE	ULTRADUR B4406 G2	YELLOW
3	10	RECEPTICLE SHELL	CZ121 Pb3	BRIGHT NICKEL PLATED
4	10	FEMALE INSERT	PUR	BLACK
5	50	CONTACT FEMALE	BRASS	GOLD OVER Ni- PLATED
6	1	FIBER-OPTIC PA	GRILLAMID TR 55 LX NATURAL	TRANSPARENT
7	11	LABEL M8 MPIS PORT	PVC	WHITE
8	1	M8-10 PORT HOUSING YEL	PBT	YELLOW
9	10	GASKET	FKM	RED
10	10	MPIS-LED Lens	ULTRADUR B4406 G2	YELLOW
11	2	BLANKING PLUG	DURETHAN B30S	BLACK
12	-	POTTING MATERIAL	WEVO	TRANSPARENT
13	1	LABEL	VINYL	YELLOW

TABLE 1

MOLEX P/N	ENGINEERING No	LENGTH (mm)
1300380018	BG19379-M003	300±25
1300380008	BG19379-M005	500±25
1300380017	BG19379-M006	600±25
1300380019	BG19379-M007	700±25
1300380020	BG19379-M010	1000±25

DOCUMENT STATUS	P1	RELEASE DATE	2020/05/20	12:27:42
-----------------	----	--------------	------------	----------

THIS DRAWING CONTAINS INFORMATION THAT IS PROPRIETARY TO MOLEX ELECTRONIC TECHNOLOGIES, LLC AND SHOULD NOT BE USED WITHOUT WRITTEN PERMISSION

FUNCTIONAL SYMBOLS:  $\nabla_A = 0$ ,  $\nabla_F = 0$ ,  $\nabla_P = 0$

DIMENSION UNITS: mm, INCH

SCALE: 1:2

GENERAL TOLERANCES (UNLESS SPECIFIED):

	MM	INCH
4 PLACES	±	±
3 PLACES	±	±
2 PLACES	±	± 0.01
1 PLACE	± 0.3	±
0 PLACES	±	±

ANGULAR TOL ± 2.0°

DRAFT WHERE APPLICABLE MUST REMAIN WITHIN DIMENSIONS

THIRD ANGLE PROJECTION

DRAWING: A3-SIZE

SERIES: 130038

MATERIAL NUMBER: SEE SHEET 2

CUSTOMER: GENERAL MARKET

SHEET NUMBER: 2 OF 2

EC NO: 637503

DRWN: RSCHIEBER 2020/05/12

CHK'D: RSILLER 2020/05/20

APPR: RSILLER 2020/05/20

INITIAL REVISION:

DRWN: DRAWN BY 0099/99/99

APPR: APPR BY 0099/99/99

DOCUMENT NUMBER: 1300380008

DOC TYPE: PSD

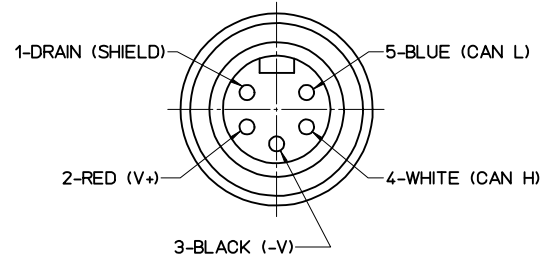
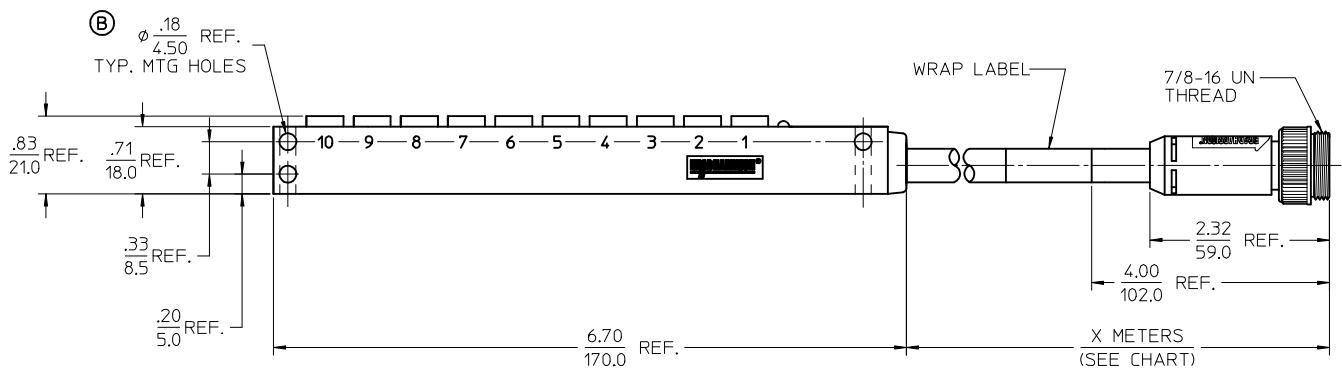
DOC PART: 000

REVISION: A1

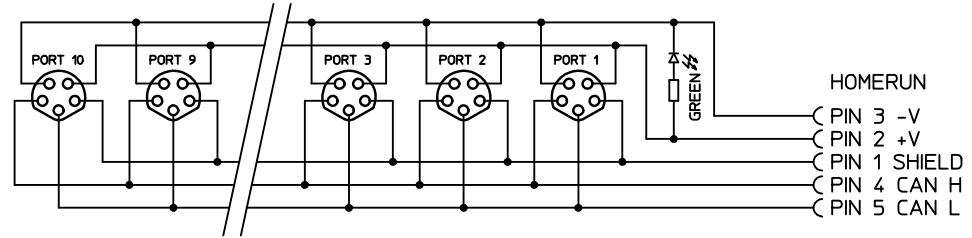
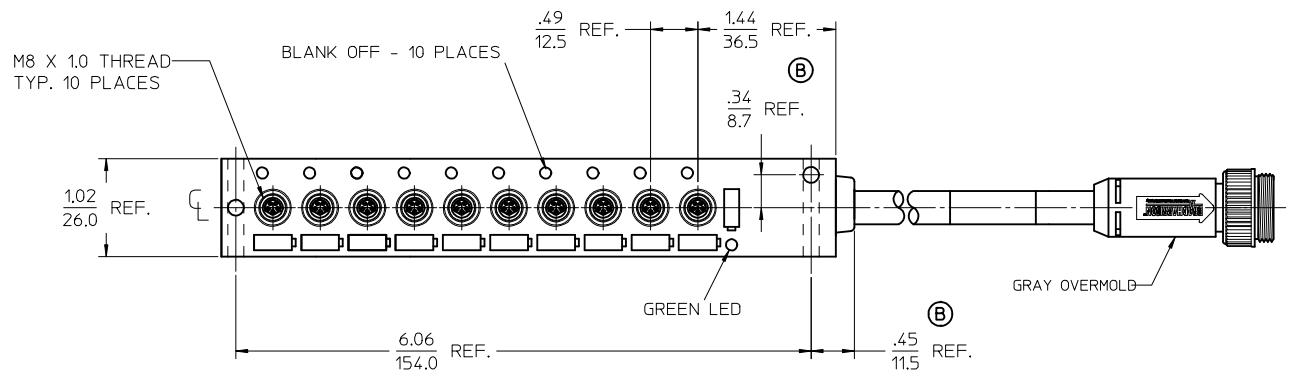
**molex**

M8 10-PORT MPIS D-NET UNIT 500MM

PRODUCT CUSTOMER DRAWING



MALE INSERT FRONT VIEW  
SCALE: 2X



CUSTOMER PRODUCTION APPROVAL  
APPROVED BY: \_\_\_\_\_  
DATE: \_\_\_\_\_  
MUST BE SIGNED AND RETURNED BEFORE  
PRODUCTION WILL BEGIN.

SALES DRAWING

**SPECIFICATION**  
 MATERIALS MPIS UNIT:  
 HOUSING : YELLOW PBT (GLASS FILLED)  
 PORT RECEPTACLES: BRASS-NICKEL PLATED  
 PORT INSERTS: PUR (GLASS FILLED)  
 CONTACTS: BRASS, GOLD PLATE  
 O-RING: VITON  
 MATERIALS: HOME RUN CONNECTOR  
 CABLE: DEVICENET MID PVC CABLE  
 INSERT: GREY PVC  
 BODY: GREY PVC  
 CONTACT MATERIAL: BRASS  
 CONTACT PLATING: GOLD OVER PALLADIUM/NICKEL  
 COUPLING NUT: ZINC DIE CAST, EPOXY-COAT  
 ELECTRICAL:  
 VOLTAGE: 10-30VDC  
 CURRENT RATING: 2A PER PORT, 6 AMPS MAX.  
 PROTECTION CLASS: IP68

MATERIAL NO.	ENGINEERING P/N	LENGTH
1300380018	BG19379-M003	0.3M ±25mm
1300380008	BG19379-M005	0.5M ±25mm
1300380017	BG19379-M006	0.6M ±25mm
1300380019	BG19379-M007	0.7M ±25mm
1300380020	BG19379-M010	1.0M ±25mm

<b>ADD DIMS PER MKTG REQ.</b> EC NO: IPG2013-1323 DRAWN: R. STONE 2013/02/25 CHKD: B. RUPERT 2013/02/26 APPR: J. MURPHY 2013/04/22	<b>QUALITY SYMBOLS</b> ▽=0 ▽=0	<b>GENERAL TOLERANCES (UNLESS SPECIFIED)</b>		<b>DIMENSION STYLE</b> IN/MM	<b>SCALE</b> ---	<b>DESIGN UNITS</b> METRIC	THIRD ANGLE PROJECTION
		4 PLACES ± --- ± --- 3 PLACES ± --- ± --- 2 PLACES ± --- ± .01 1 PLACE ± 0.3 ± ---	mm INCH	DRAWN BY DATE R. STONE 2010/12/06	TITLE M8 10-PORT MPIS D-NET UNIT		
		ANGULAR ± 2 °	CHECKED BY DATE B. RUPERT 2010/12/09	APPROVED BY DATE JFMURPHY 2011/01/24			
		DRAFT WHERE APPLICABLE MUST REMAIN WITHIN DIMENSIONS	MATERIAL NO. <b>SEE CHART</b>	DOCUMENT NO. SD-130038-002	SHEET NO. 1 OF 1		

**MOLEX INCORPORATED**  
 THIS DRAWING CONTAINS INFORMATION THAT IS PROPRIETARY TO MOLEX INCORPORATED AND SHOULD NOT BE USED WITHOUT WRITTEN PERMISSION