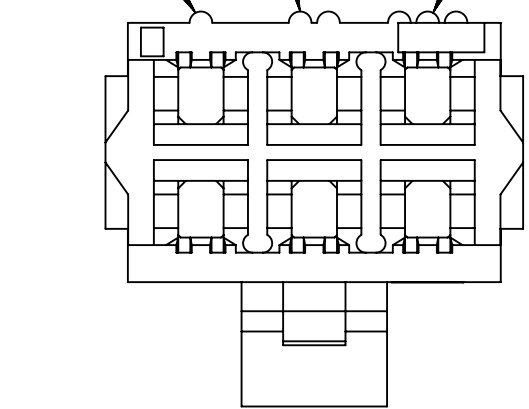


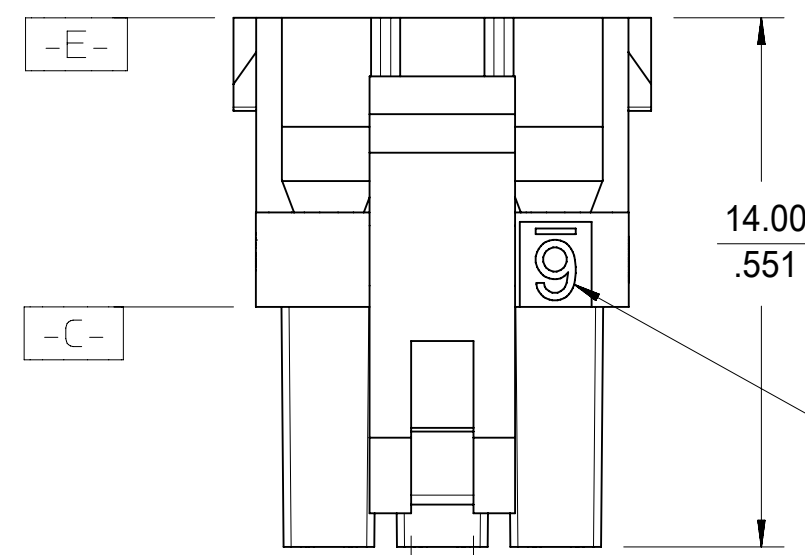
NOTES:

- 1) MATERIAL:
UNFILLED NYLON, RATED UL94V-0, LOW-HALOGEN, COLOR: BLACK
- 2) FINISH: NONE
- 3) PRODUCT SPECIFICATION: PS-43045
- 4) PACKAGING SPECIFICATION: BULK PER 1729520001-PK
- 5) MATES WITH: MOLEX 43020 PLUGS, 203632 TPA PLUGS AND 43045 HEADERS
- 6) FOR USE WITH: 43030 AND 46235 (LOW FORCE) MOLEX FEMALE TERMINALS
- 7) HOUSING IS DESIGNED FOR USE WITH 172953-XX01 TPA. NEVER USE WITHOUT TPA.
- 8) THIS PART CONFORMS TO CLASS B REQUIREMENTS OF COSMETIC SPEC PS-45499-002
- 9) PARTS MAY HAVE A BLEMISH NEAR THE GATE THAT DOES NOT AFFECT FUNCTIONALITY
- 10) TERMINALS IN THE LOWER ROW ARE INSERTED 180° FROM THE UPPER ROW
SEE SECTION A-A FOR PROPER ORIENTATION
- 11 LAST CIRCUIT NUMBER OF THE CONNECTOR. NOT APPLICABLE TO 4 CIRCUIT.
- 12) REF 430250000-AS FOR OVERMOLDING PARAMETERS
- 13 TO BE MEASURED APPROXIMATELY 1.52/.060 FROM [-E-] SURFACE
- 14 TO BE MEASURED ON [-C-] SURFACE
- 15) MOLEX RECOMMENDS THE USE OF MICRO-FIT TEST PLUG SERIES 44242 FOR ALL TESTING. TEST PLUGS MUST NOT BE MATED OR UNMATED UNDER LOAD. DO NOT USE STANDARD MATING COMPONENTS FOR TEST PURPOSES.
- 16) TEXT ON PART IS FOR REFERENCE ONLY. TEXT AND TEXT LOCATION MAY VARY DEPENDING ON PART NUMBER AND/OR TOOL.
- 17) INTENDED FOR USE WITH 20-30 AWG WIRES ONLY

FIRST CIRCUIT INDICATOR RIB (1)
CIRCUIT 2 INDICATOR RIBS (2)
CIRCUIT 3 INDICATOR RIBS (3)



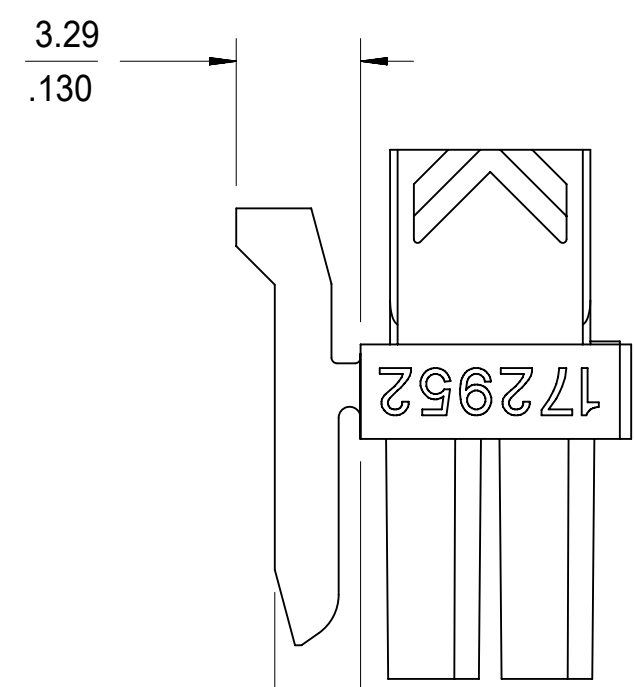
3.85
.152



1.7 LATCH
.06 WINDOW

14.00
.551

LAST CIRCUIT NO



3.29
.130

172952

2.27
.089

1.93
.076
TYP

3.00
.118
TYP

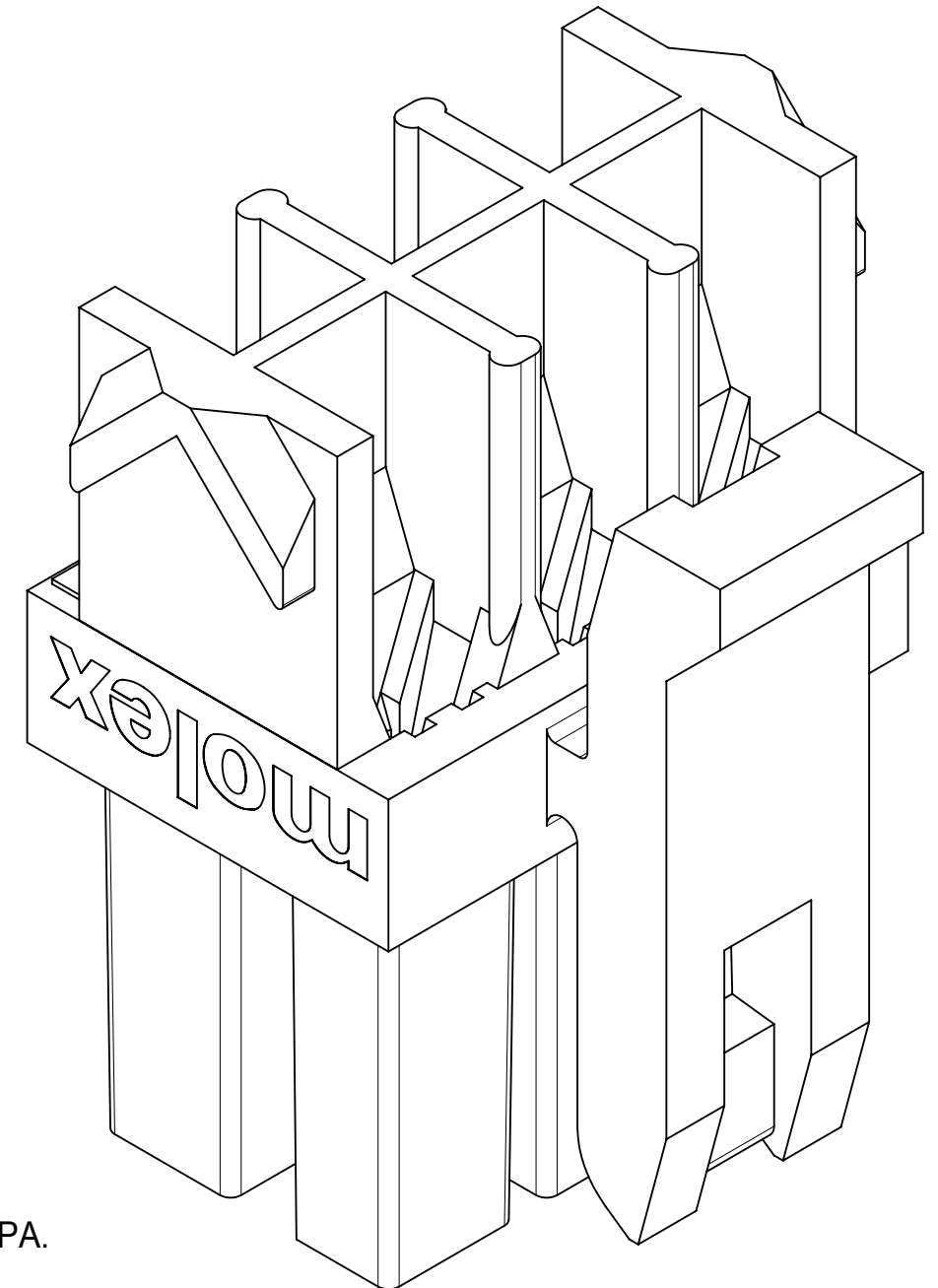
6.86
.270

13 DIM. B +0.35
-0.25
DIM. B +0.014
-0.010

3.00 TYP
.118

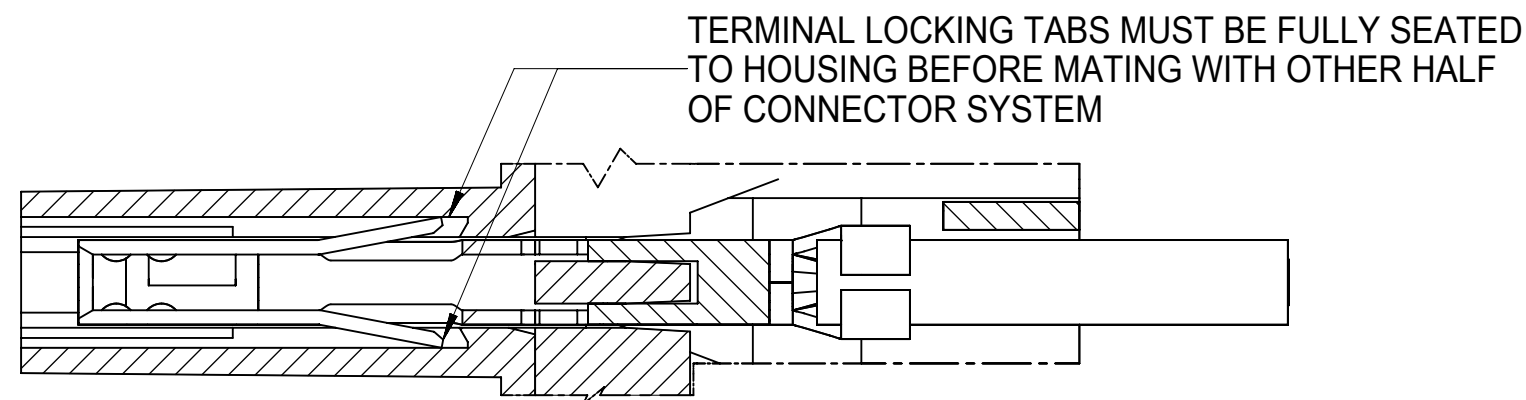
DIM. A

1.93
.076
TYP

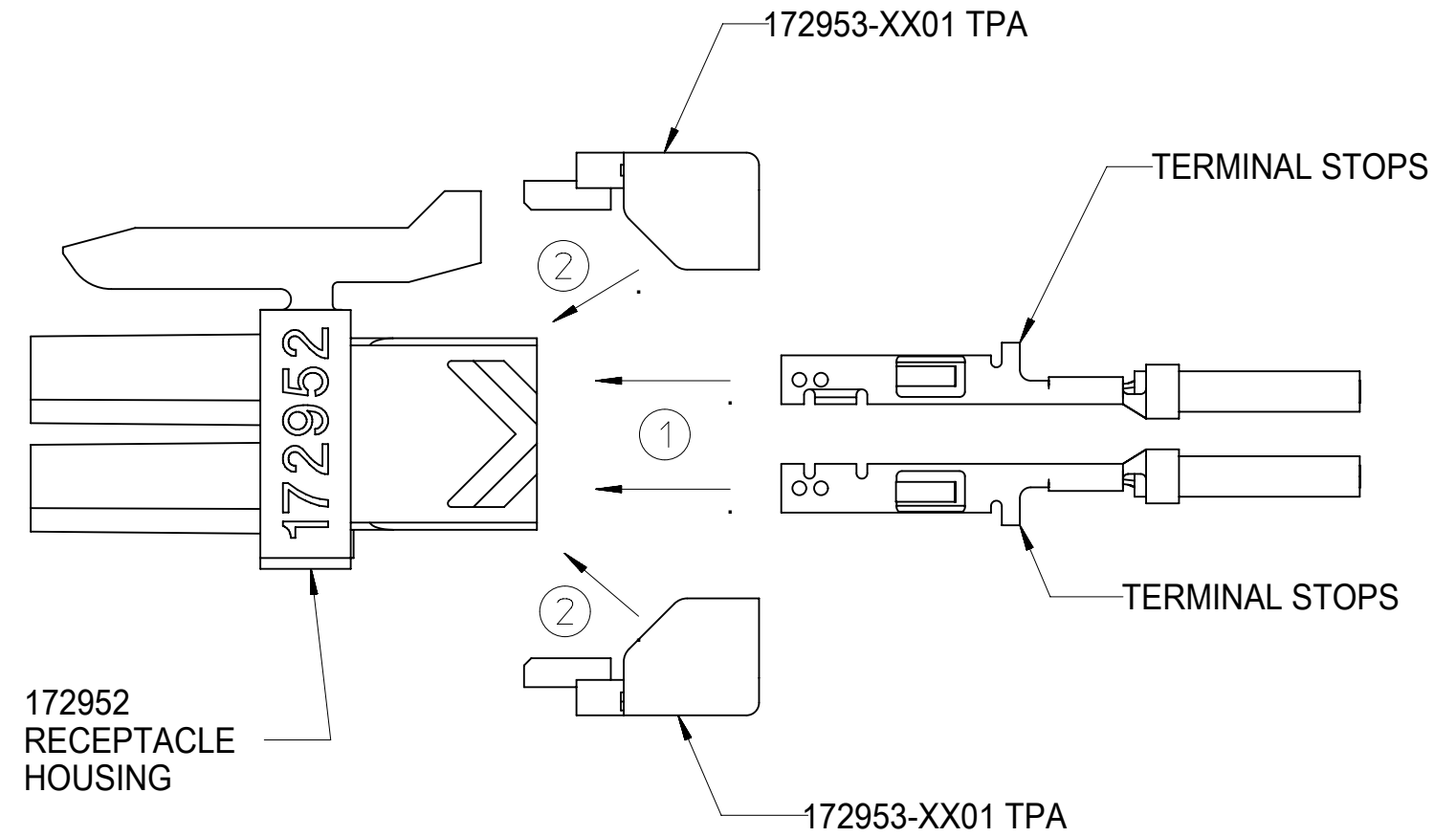
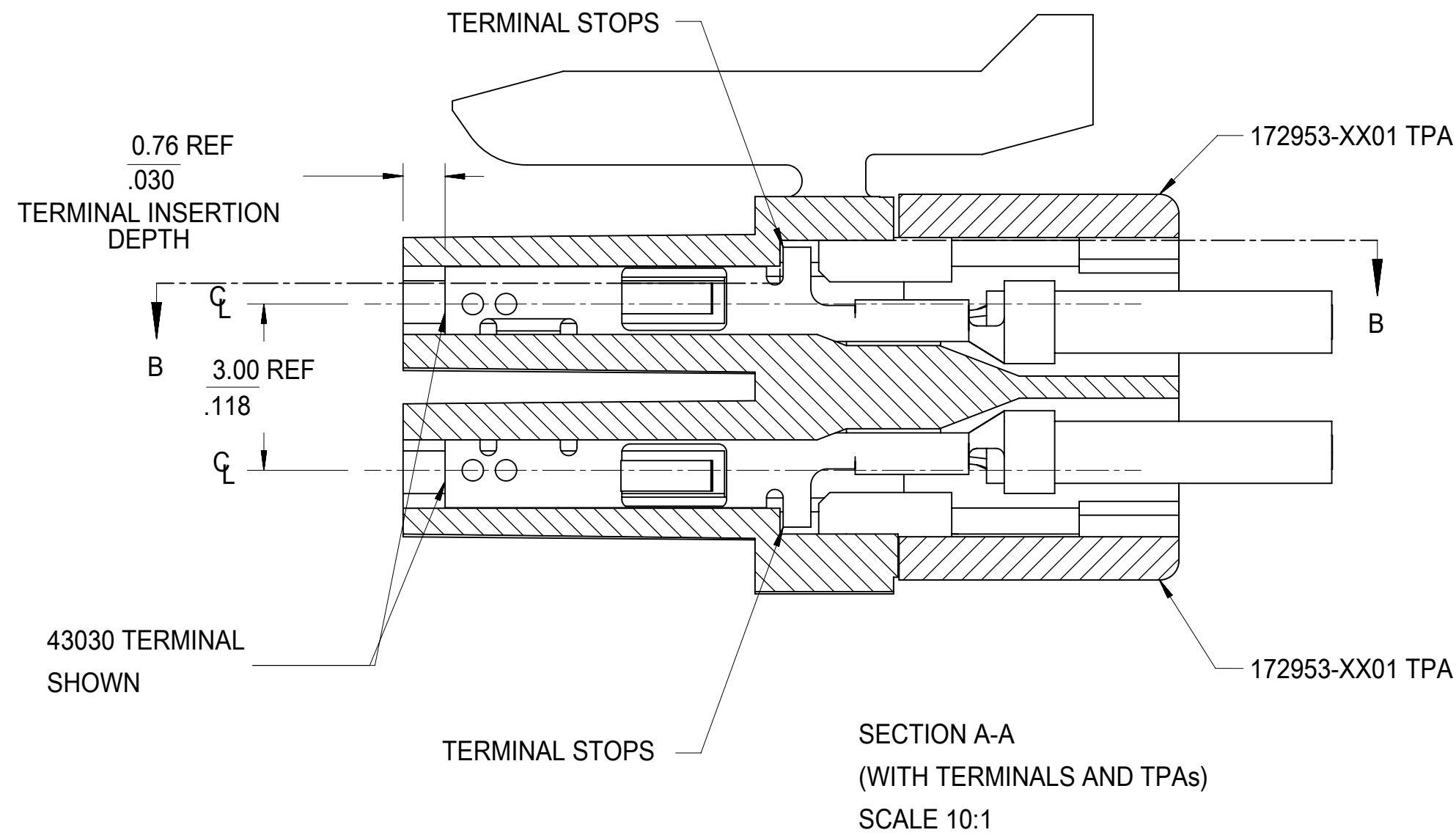


172952-0601 SHOWN
NEVER USE WITHOUT TPA.

FUNCTIONAL SYMBOLS	THIS DRAWING CONTAINS INFORMATION THAT IS PROPRIETARY TO MOLEX ELECTRONIC TECHNOLOGIES, LLC AND SHOULD NOT BE USED WITHOUT WRITTEN PERMISSION				CURRENT REV DESC: ADD NOTE 17			
	DIMENSION UNITS		SCALE		EC NO: 723726		2022/02/25	
$\frac{E}{A} = 0$	MM/INCH		5:1		DRWN: MKIPPER		2022/10/12	
$\frac{E}{C} = 0$	GENERAL TOLERANCES (UNLESS SPECIFIED)				CHK'D: MKIPPER		2022/10/13	
$\frac{E}{P} = 0$	4 PLACES		±		APPR: FSMITH		2022/10/13	
DIVISIONAL SYMBOLS	3 PLACES		± 0.01		INITIAL REVISION:		2014/12/30	
	2 PLACES		± 0.25 ± 0.015		DRWN: BANDERSON		2016/03/24	
1 PLACE		± 0.38 ±		APPR: BPISZCZOR		2016/03/24		
0 PLACES		±		DRAFT WHERE APPLICABLE MUST REMAIN WITHIN DIMENSIONS		THIRD ANGLE PROJECTION		
ANGULAR TOL		± 0.5 °		DRAWING		SERIES		
DOCUMENT NUMBER		CUSTOMER		SHEET NUMBER		DOC TYPE		
SD-172952-001		GENERAL MARKET		1 OF 3		PSD 001 A6		



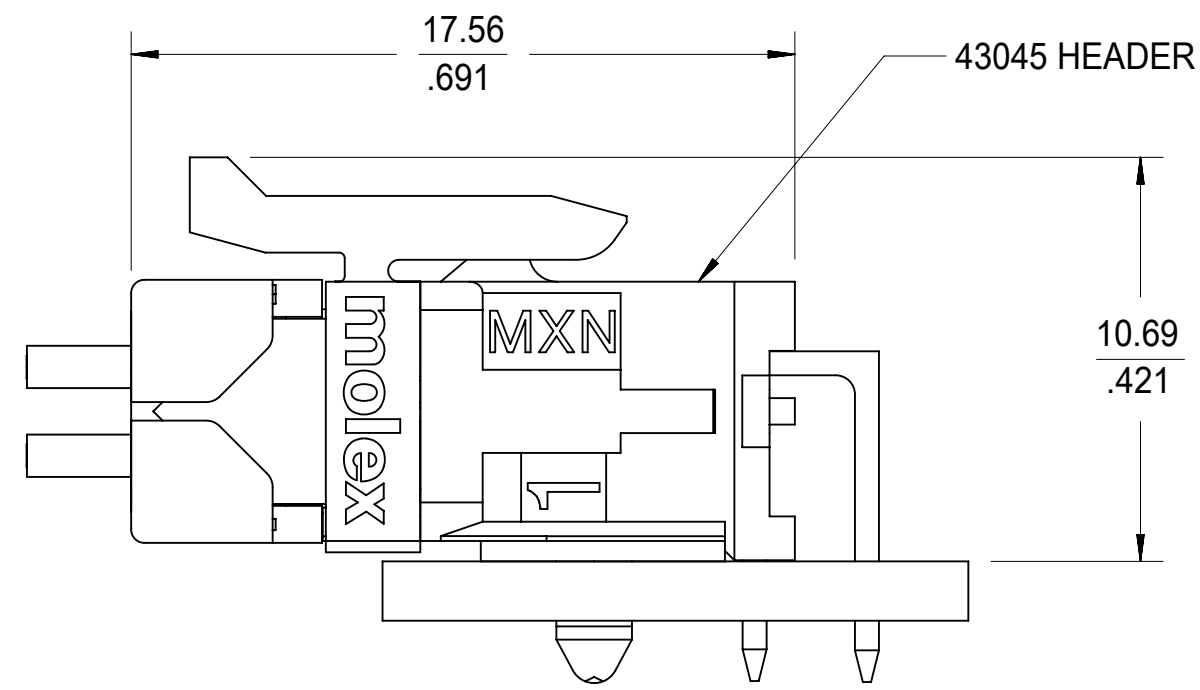
Partial B-B
SCALE 10:1



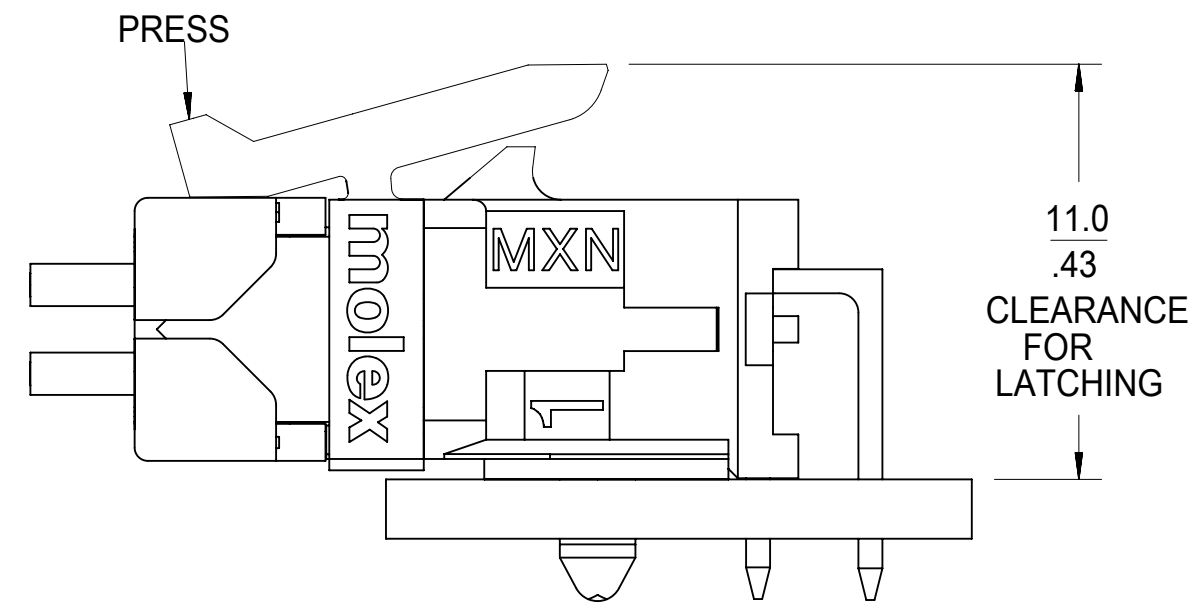
TERMINAL AND TPA
ORIENTATION
AND ASSEMBLY
NEVER USE WITHOUT TPA.

24	172952-2401	33.00 / 1.299	36.85 / 1.451
22	172952-2201	30.00 / 1.181	33.85 / 1.333
20	172952-2001	27.00 / 1.063	30.85 / 1.215
18	172952-1801	24.00 / .945	27.85 / 1.096
16	172952-1601	21.00 / .827	24.85 / .978
14	172952-1401	18.00 / .709	21.85 / .860
12	172952-1201	15.00 / .591	18.85 / .742
10	172952-1001	12.00 / .472	15.85 / .624
8	172952-0801	9.00 / .354	12.85 / .506
6	172952-0601	6.00 / .236	9.85 / .388
4	172952-0401	3.00 / .118	6.85 / .270
CKT SZ.	PART NUMBER	DIM A	DIM B

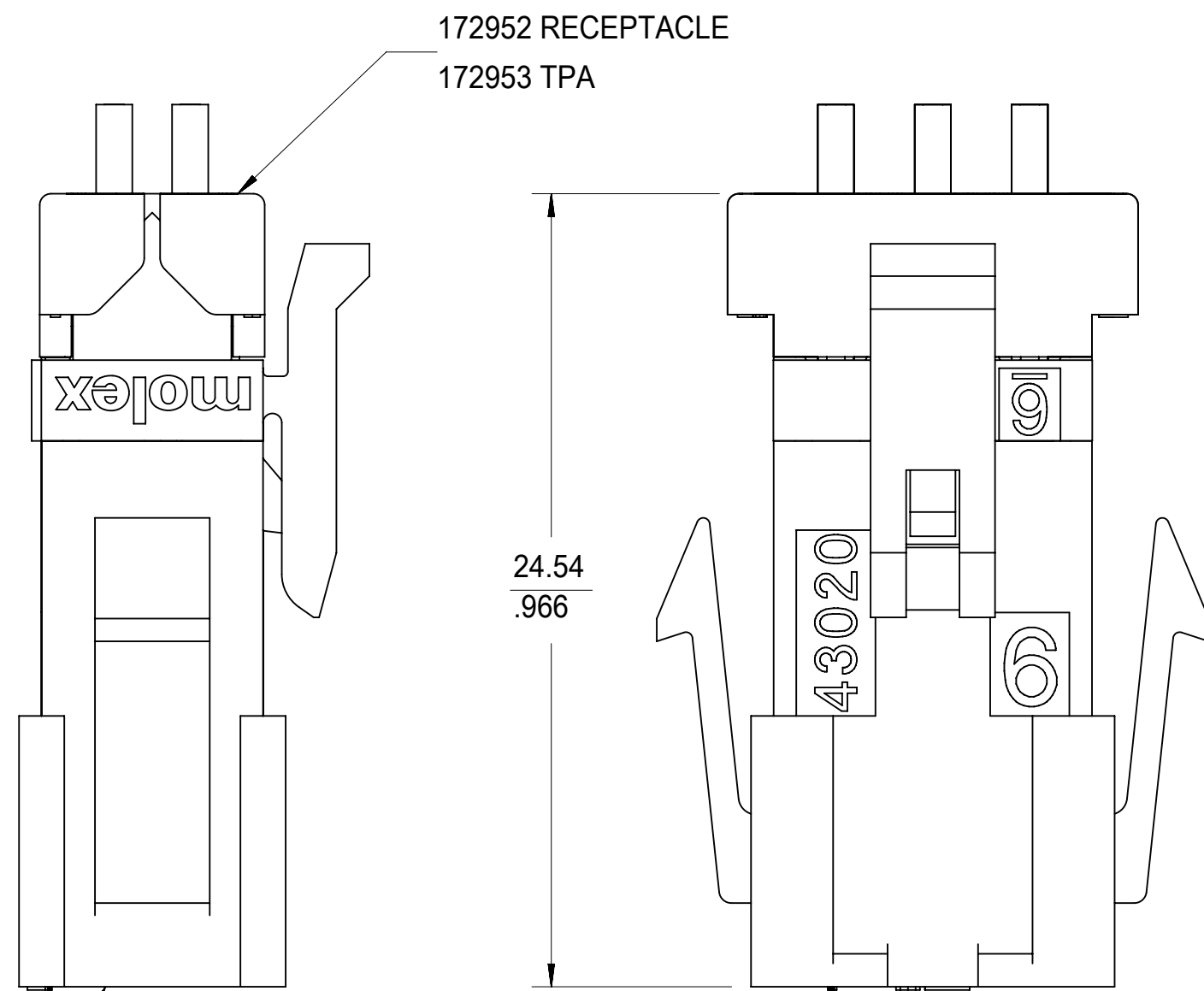
FUNCTIONAL SYMBOLS $F_A = 0$ $F_C = 0$ $F_P = 0$ DIVISIONAL SYMBOLS	THIS DRAWING CONTAINS INFORMATION THAT IS PROPRIETARY TO MOLEX ELECTRONIC TECHNOLOGIES, LLC AND SHOULD NOT BE USED WITHOUT WRITTEN PERMISSION				CURRENT REV DESC: ADD NOTE 17									
	DIMENSION UNITS		SCALE		GENERAL TOLERANCES (UNLESS SPECIFIED)									
	MM/INCH		5:1		4 PLACES ±		MM		INCH		EC NO: 723726		2022/02/25	
					3 PLACES ±		± 0.01				DRWN: MKIPPER		2022/10/12	
				2 PLACES ±		0.25		± 0.015		APPR: FSMITH		2022/10/13		
				1 PLACE ±		0.38		±		INITIAL REVISION:				
				0 PLACES ±						DRWN: BANDERSON		2014/12/30		
				ANGULAR TOL		± 0.5 °				APPR: BPISZCZOR		2016/03/24		
				DRAFT WHERE APPLICABLE MUST REMAIN WITHIN DIMENSIONS						THIRD ANGLE PROJECTION		DRAWING SERIES		
										C-SIZE		172952		
DOCUMENT STATUS		P1		RELEASE DATE		2022/10/13		13:32:51		DOCUMENT NUMBER		DOC TYPE DOC PART REVISION		
										SD-172952-001		PSD 001 A6		
										MATERIAL NUMBER		CUSTOMER		
										SEE CHART		GENERAL MARKET		
										SHEET NUMBER				
												2 OF 3		



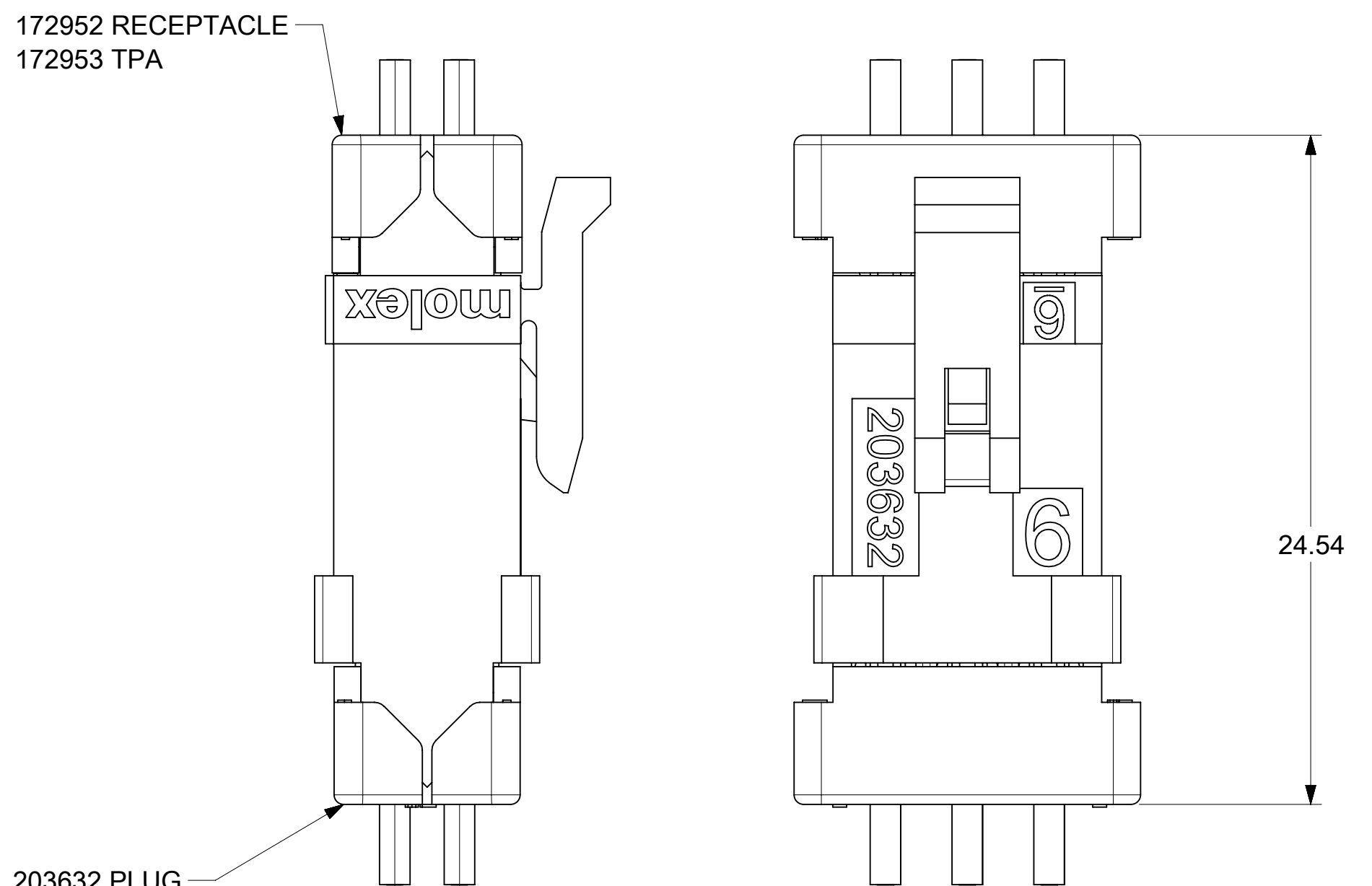
MATED MICRO-FIT CONNECTOR (WITH TPA INSTALLED)



MATED MICRO-FIT CONNECTOR (WITH TPA INSTALLED)



MATED MICRO-FIT CONNECTOR (WITH TPA INSTALLED)



MATED MICRO-FIT CONNECTOR (WITH TPA INSTALLED)

43020 PLUG HOUSING

203632 PLUG
172953 TPA

FUNCTIONAL SYMBOLS	THIS DRAWING CONTAINS INFORMATION THAT IS PROPRIETARY TO MOLEX ELECTRONIC TECHNOLOGIES, LLC AND SHOULD NOT BE USED WITHOUT WRITTEN PERMISSION									
	DIMENSION UNITS		SCALE		CURRENT REV DESC: ADD NOTE 17					
$\frac{F}{A} = 0$	MM/INCH		5:1		<p>EC NO: 723726 DRWN: MKIPPER 2022/02/25 CHK'D: MKIPPER 2022/10/12 APPR: FSMITH 2022/10/13</p> <p>INITIAL REVISION: DRWN: BANDERSON 2014/12/30 APPR: BPISZCZOR 2016/03/24</p>					
$\frac{F}{C} = 0$	GENERAL TOLERANCES (UNLESS SPECIFIED)									
$\frac{F}{P} = 0$			MM	INCH						
DIVISIONAL SYMBOLS	4 PLACES	±	±							
	3 PLACES	±	±	0.01						
	2 PLACES	±	0.25	± 0.015						
	1 PLACE	±	0.38	±						
	0 PLACES	±	±							
	ANGULAR TOL		± 0.5 °		<p>THIRD ANGLE PROJECTION</p> <p>DRAWING SERIES: C-SIZE 172952</p>					
	DRAFT WHERE APPLICABLE MUST REMAIN WITHIN DIMENSIONS									
DOCUMENT STATUS		P1	RELEASE DATE	2022/10/13 13:32:51	DOCUMENT NUMBER		DOC TYPE		DOC PART	REVISION
SD-172952-001		PSD	001	A6	MATERIAL NUMBER		CUSTOMER		SHEET NUMBER	
SEE CHART		GENERAL MARKET		3 OF 3						