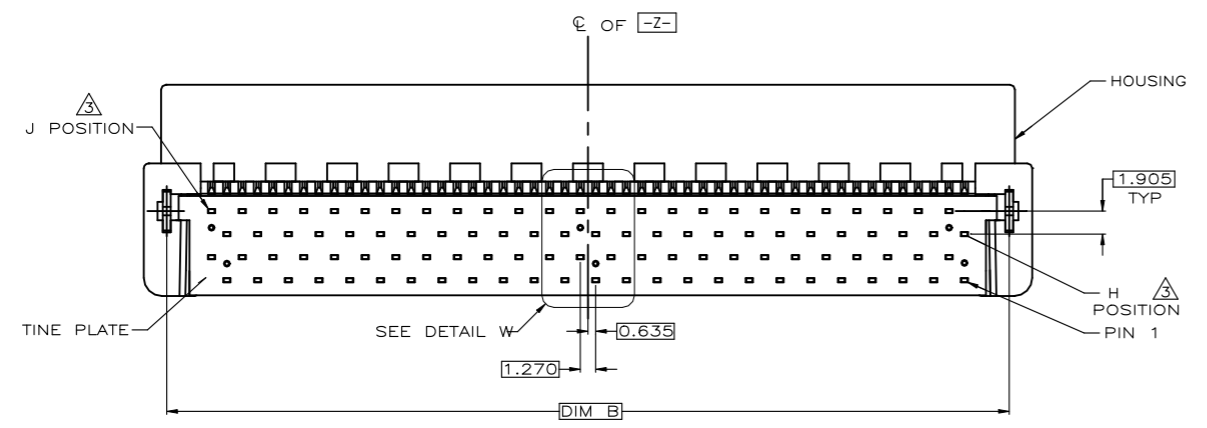
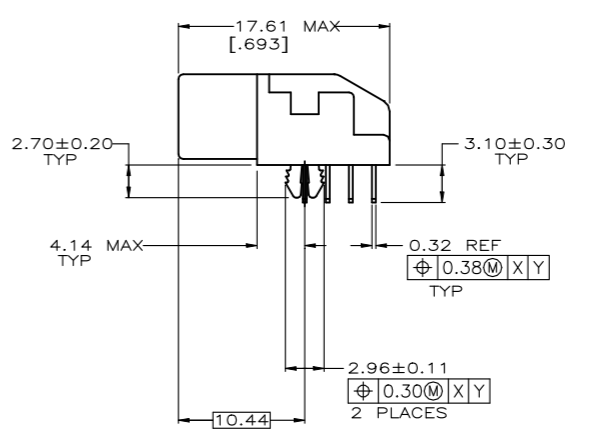
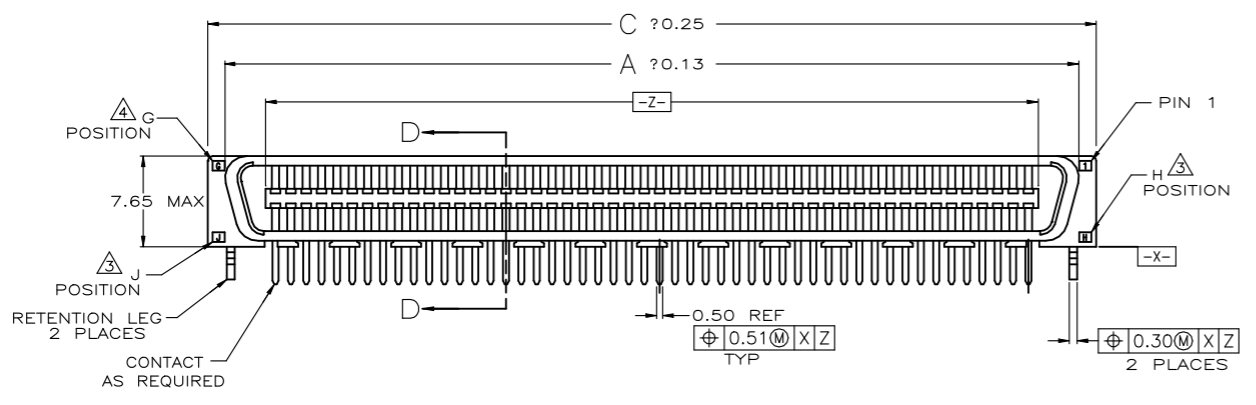
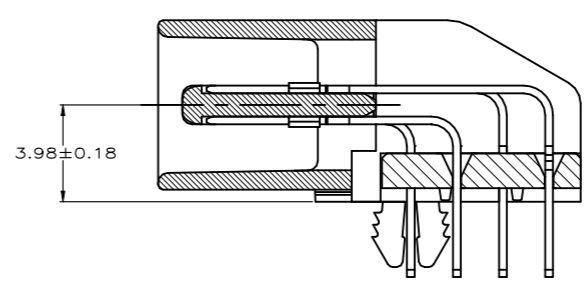
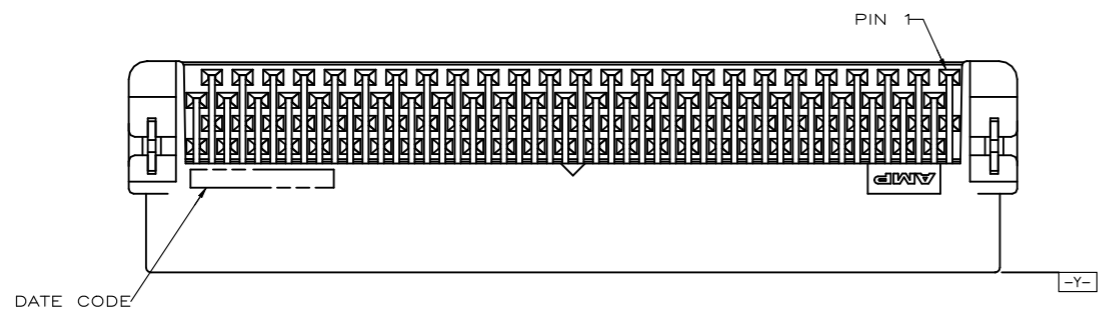


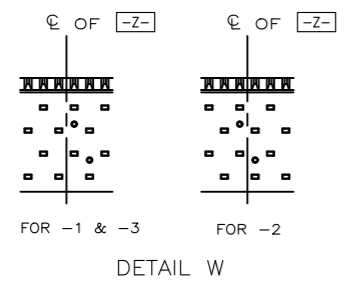
REVISIONS

P	LTR	DESCRIPTION	DATE	DWN	APVD
B2		REVISED PER ECN-23-202744	14MAR23	IT	WH



- ⚠ HOUSING AND TINE PLATE: LCP, 94V-0, BLACK.
CONTACT: PHOSPHOR BRONZE.
RETENTION LEG: BRASS.
- ⚠ CONTACT: GOLD FLASH OVER 0.76µm MIN PALLADIUM-NICKEL, OR 0.76µm MIN GOLD PLATING FOR A LENGTH OF 2.00 MIN FOR A LENGTH OF 1.00 MAX FROM MATING END, 3.75µm TIN-CU FOR A LENGTH OF 3.40 MIN FROM OPPOSITE END, BOTH OVER 1.27µm MIN NICKEL.
RETENTION LEG: 3.81µm MIN TIN-CU OVER 1.27µm MIN NICKEL.
- ⚠ G, J AND H INDICATE NUMBER OF POSITION MARKED ON ASSEMBLY. SEE TABLE.
- 4 CONNECTOR WILL ACCOMMODATE PRINTED CIRCUIT BOARD THICKNESS OF 0.80 TO 1.60.
- ⚠ ALL DIMENSIONS SHOWN ARE MAXIMUM UNLESS OTHERWISE SPECIFIED.

ⓑ	OBSOLETE	120	61	60	86.13	82.33	83.27	120	1734359-3
		100	51	50	73.43	69.63	70.57	100	1734359-2
ⓑ	OBSOLETE	80	41	40	60.73	56.93	57.87	80	1734359-1
		J ⚠	H ⚠	G ⚠	C	B	A	POS.	PART NUMBER

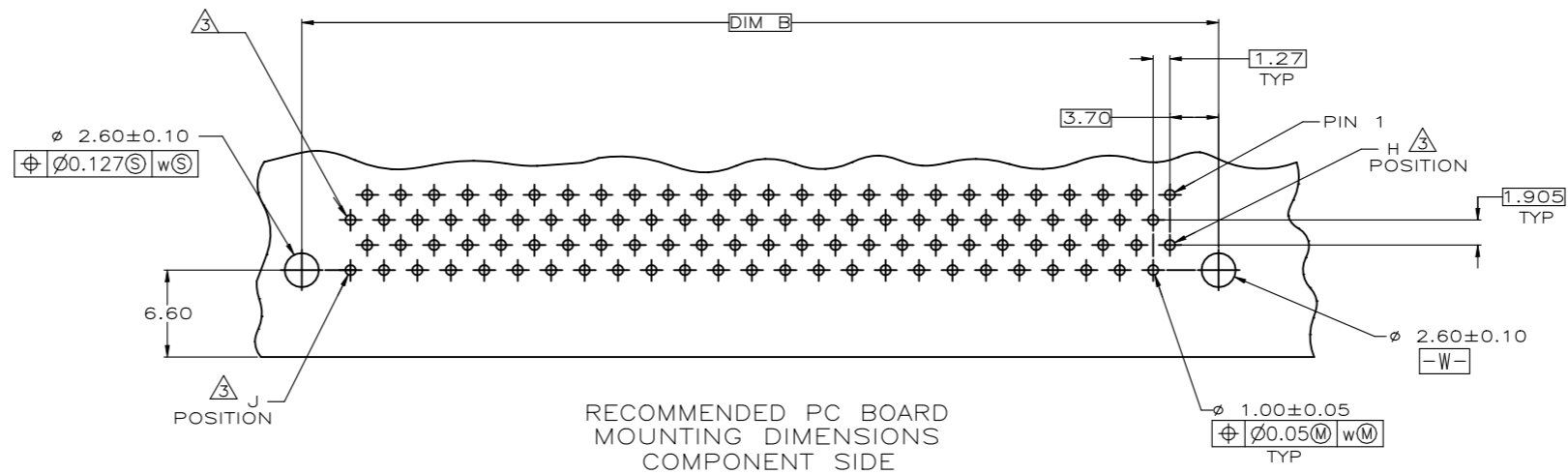


THIS DRAWING IS A CONTROLLED DOCUMENT.

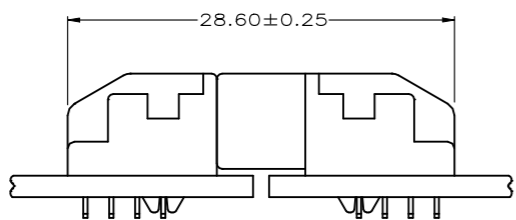
DIMENSIONS: mm	TOLERANCES UNLESS OTHERWISE SPECIFIED: 0 PLC ± - 1 PLC ± - 2 PLC ± - 3 PLC ± - 4 PLC ± - ANGLES ± -	DWN O. HU 07FEB2006	TE Connectivity Ltd. PLUG ASSEMBLY, RIGHT ANGLE, BOARD-TO-BOARD, CHAMP .050, SERIES I
	5	CHK S. HOU 07FEB2006	
MATERIAL SEE NOTE	FINISH SEE NOTE	APVD W.J. KE 07FEB2006	
		NAME 108-57876	

PRODUCT SPEC	SIZE	CAGE CODE	DRAWING NO	RESTRICTED TO
APPLICATION SPEC	A3	00779	C-1734359	-
WEIGHT	CUSTOMER DRAWING		SCALE	SHEET
-			-	1 of 3
				REV B2

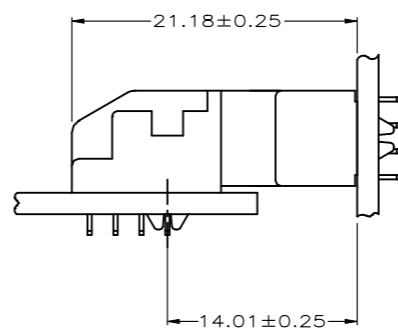
REVISIONS					
P	LTR	DESCRIPTION	DATE	DWN	APVD
-	-	SEE SHEET 1	-	-	-



RECOMMENDED PC BOARD MOUNTING DIMENSIONS COMPONENT SIDE



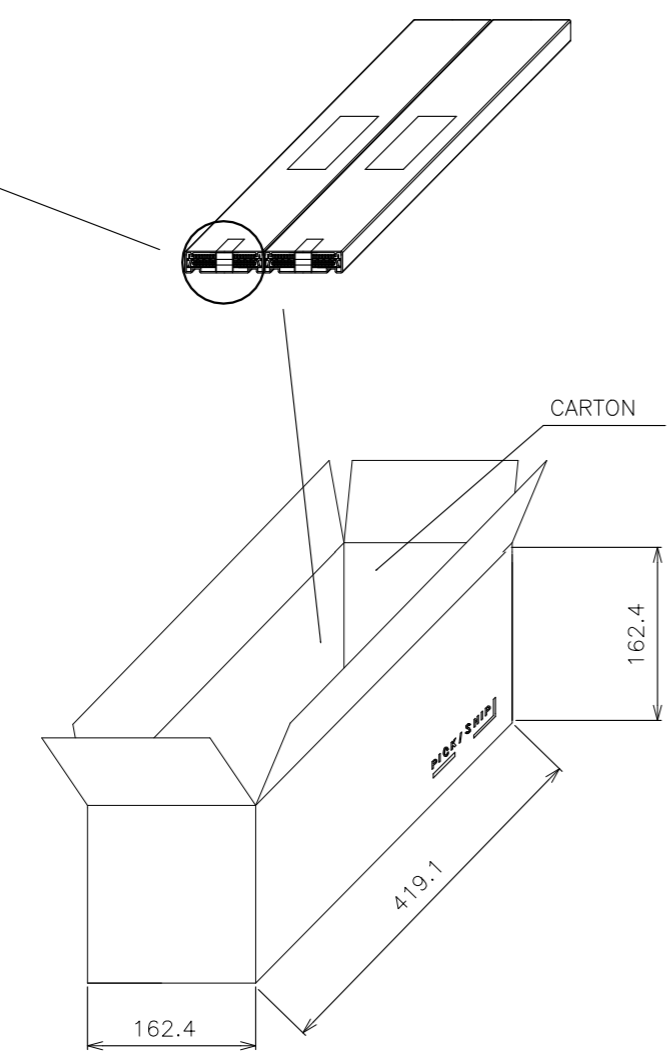
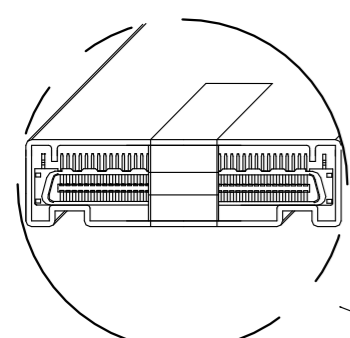
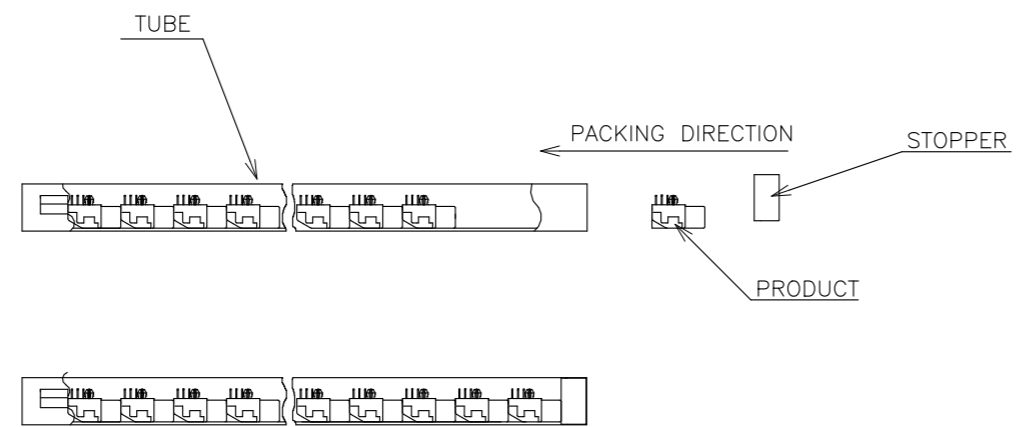
RIGHT ANGLE PLUG ASSEMBLY MATED TO RIGHT ANGLE RECEPTACLE ASSEMBLY



RIGHT ANGLE PLUG ASSEMBLY MATED TO VERTICAL RECEPTACLE ASSEMBLY

THIS DRAWING IS A CONTROLLED DOCUMENT.		DWN	STE TE Connectivity Ltd.			
		CHK				
DIMENSIONS: mm		APVD	NAME			
		PRODUCT SPEC	PLUG ASSEMBLY, RIGHT ANGLE, BOARD-TO-BOARD, CHAMP .050, SERIES I			
		APPLICATION SPEC				
MATERIAL		WEIGHT	SIZE	CAGE CODE	DRAWING NO	RESTRICTED TO
FINISH		A3		00779	C-1734359	-
CUSTOMER DRAWING			SCALE	SHEET	REV	
			-	2 of 3	B2	

REVISIONS					
P	LTR	DESCRIPTION	DATE	DWN	APVD
-	-	SEE SHEET 1	-	-	-



Ⓜ	OBsolete	5.83	3.40	21	16	336	1734359-3	120
		4.95	2.63	21	16	336	1734359-2	100
Ⓜ	OBsolete	3.91	2.12	21	16	336	1734359-1	80
		G.W./CARTON (KG)	N.W./CARTON (KG)	PCS/TUBE	TUBES/CARTON	QUANTITY/CARTON (PCS)	PART NUMBER	POS.

THIS DRAWING IS A CONTROLLED DOCUMENT.		DWN	-		
DIMENSIONS: mm		CHK	-		
TOLERANCES UNLESS OTHERWISE SPECIFIED:		APVD	-		
0 PLC ± -		PRODUCT SPEC	-		
1 PLC ± -		APPLICATION SPEC	-		
2 PLC ± -		WEIGHT	-		
3 PLC ± -		TE Connectivity Ltd.			
4 PLC ± -		PLUG ASSEMBLY, RIGHT ANGLE, BOARD-TO-BOARD, CHAMP .050, SERIES I			
ANGLES ± -		SIZE	CAGE CODE	DRAWING NO	RESTRICTED TO
FINISH		A3	00779	C-1734359	-
MATERIAL		CUSTOMER DRAWING		SCALE	SHEET 3 of 3
					REV B2