

## Fiber optic - HS LC-H-D2/ R4XC9-2,54 - 2202322

Please be informed that the data shown in this PDF Document is generated from our Online Catalog. Please find the complete data in the user's documentation. Our General Terms of Use for Downloads are valid (<http://phoenixcontact.com/download>)




Light guides, passive, rigid, can be used for the ME, ME-MAX, ME-IO, ME PLC, and EH housing ranges (housing must be processed)

### Your advantages

- ✓ Light guides are perfectly matched to electronics housings
- ✓ Easy mounting on the PCB using press pins
- ✓ Resistance to ESD
- ✓ Housing processing available on request



### Key Commercial Data

Packing unit	100 pc
Minimum order quantity	100 pc
GTIN	 4 055626 050232
GTIN	4055626050232

### Technical data

#### Product properties

Brief article description	Fiber optic
Type	HS LC-H-D2/ R4XC9-2,54
Order No.	2202322
Type	passive, rigid
Alignment	Horizontal
Number of displays	36 (4 rows x 9 columns)
ESD protection	< 8 kV
Head form	Round, conical

#### Dimensions

Caption	Details on positioning inside the electronics housing can be found in the download area under "Design-In"
---------	---

# Fiber optic - HS LC-H-D2/ R4XC9-2,54 - 2202322

## Technical data

### Dimensions

Pitch	2.54 mm
Diameter	2 mm
Hole diameter	1.2 mm

### Material specifications

Material	PC
Color (RAL)	transparent
	black

### Ambient conditions

Ambient temperature (operation)	-40 °C ... 85 °C
---------------------------------	------------------

### General information

Type of note	Assembly instruction:
Note	Refer to the data sheet for the range in the download area.
	To prevent glare, the system has an aperture. This also makes mixed colors possible.

### Packaging details

Pieces per package	100
Denomination packing units	Pcs.

### Standards and Regulations

Flammability rating according to UL 94	HB
--	----

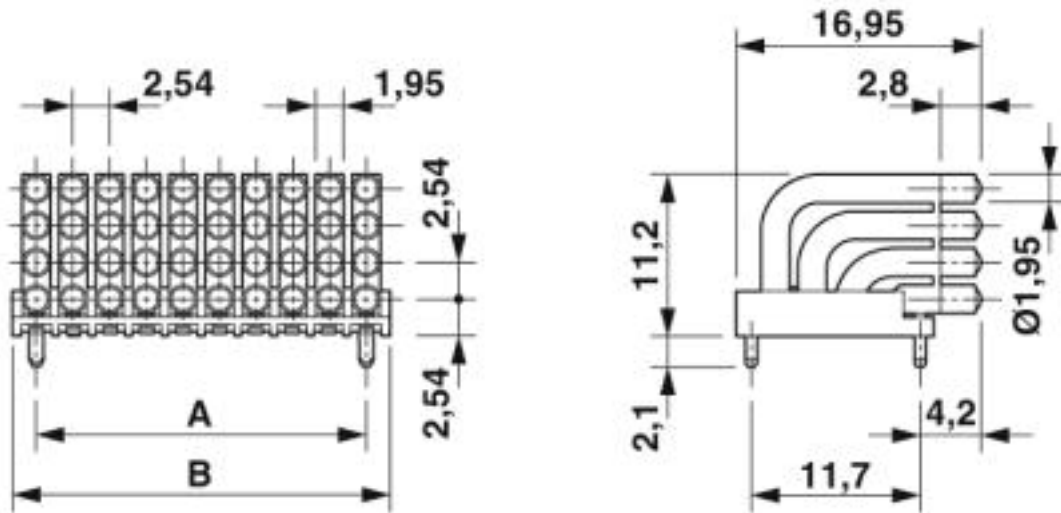
### Environmental Product Compliance

China RoHS	Environmentally friendly use period: unlimited = EFUP-e
	No hazardous substances above threshold values

## Drawings

## Fiber optic - HS LC-H-D2/ R4XC9-2,54 - 2202322

Dimensional drawing



Details on positioning inside the electronics housing can be found in the download area under "Design-In"

Phoenix Contact 2019 © - all rights reserved  
<http://www.phoenixcontact.com>

PHOENIX CONTACT GmbH & Co. KG  
Flachsmarktstr. 8  
32825 Blomberg  
Germany  
Tel. +49 5235 300  
Fax +49 5235 3 41200  
<http://www.phoenixcontact.com>