

THIS DRAWING IS UNPUBLISHED. RELEASED FOR PUBLICATION 2008
 © COPYRIGHT 2008 BY TYCO ELECTRONICS CORPORATION. ALL RIGHTS RESERVED.

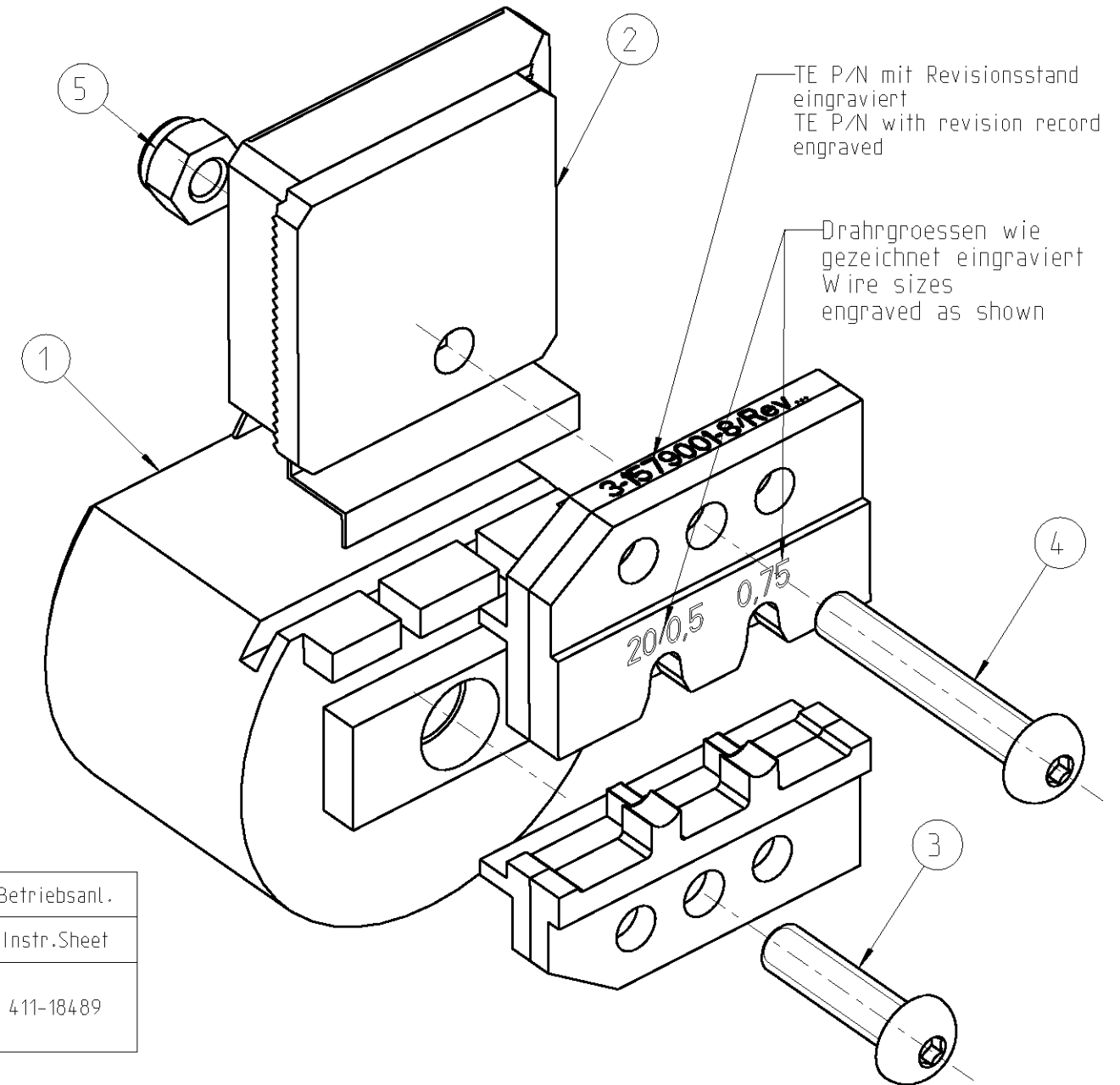
LOC	DIST	REVISIONS					
		P	LTR	DESCRIPTION	DATE	DWN	APVD
AI	-						

ERGOCRIMP DIE SET FOR MCON 1.2 CLEAN BODY SWS

Matrize in Kombination mit Ergocrimp Basishandzange TE P/N 539635-1 verwenden
 Use die in combination with Ergocrimp basis hand tool TE P/N 539635-1

Matrize im Karton mit Bedienungsanleitung 411-18489 verpackt
 Die packed in a cardboard with instruction sheet 411-18489

3-1579001-8	1	4-0744013-4	Instruction Sheet	Bedienungsanleitung	6
	1	0-0519024-2	Nut M4 DIN 985	Mutter M4 DIN 985	5
	1	1-0519151-3	Screw M4x25	Schraube M4x25	4
	1	1-0519151-1	Screw M4x16	Schraube M4x16	3
	1	2-1579025-2	Locator Assembly	Drahtanschlag	2
	1	2-1579025-1	Contact Locator	Kontaktpositionierer	1
	QTY Stck	PN	Description	Benennung	Pos.



Kontakt	DGB (mm ²)	Drahtcrimp / Wire Crimp		Isolationscrimp / Insulation Crimp		Isol.Ø	Betriebsanl.
Contact	AWG	Höhe/Height mm	Breite/Width mm	Höhe/Height mm	Breite/Width mm	Ins.Range	Instr.Sheet
1418848	AWG20/0.5	0.98 ±0.03	1.57 F	3.3	3.18 0	1.4-1.9	411-18489
	0.75	1.09 ±0.03		3.3			

<small>THIS DRAWING IS A CONTROLLED DOCUMENT FOR TYCO ELECTRONICS CORPORATION IT IS SUBJECT TO CHANGE AND THE CONTROLLING ENGINEERING ORGANIZATION SHOULD BE CONTACTED FOR THE LATEST REVISION.</small>		DWN Ch.Witt	28MAY2008	tyco Electronics AMP GmbH D - 64625 Bensheim	
DIMENSIONS: mm 		CHK -	APVD -	NAME ERGOCRIMP DIE SET FOR MCON 1.2 CLEAN BODY SWS	
TOLERANCES UNLESS OTHERWISE SPECIFIED: 0 PLC ± 1 PLC ± 2 PLC ± 3 PLC ± 4 PLC ± ANGLES ±1°		PRODUCT SPEC -	APPLICATION SPEC -	SIZE A3	RESTRICTED TO -
MATERIAL -		FINISH -	WEIGHT 200 g	CAGE CODE 00779	DRAWING NO C-3-1579001-8
CUSTOMER DRAWING			SCALE 2:1	SHEET 1 OF 1	REV A