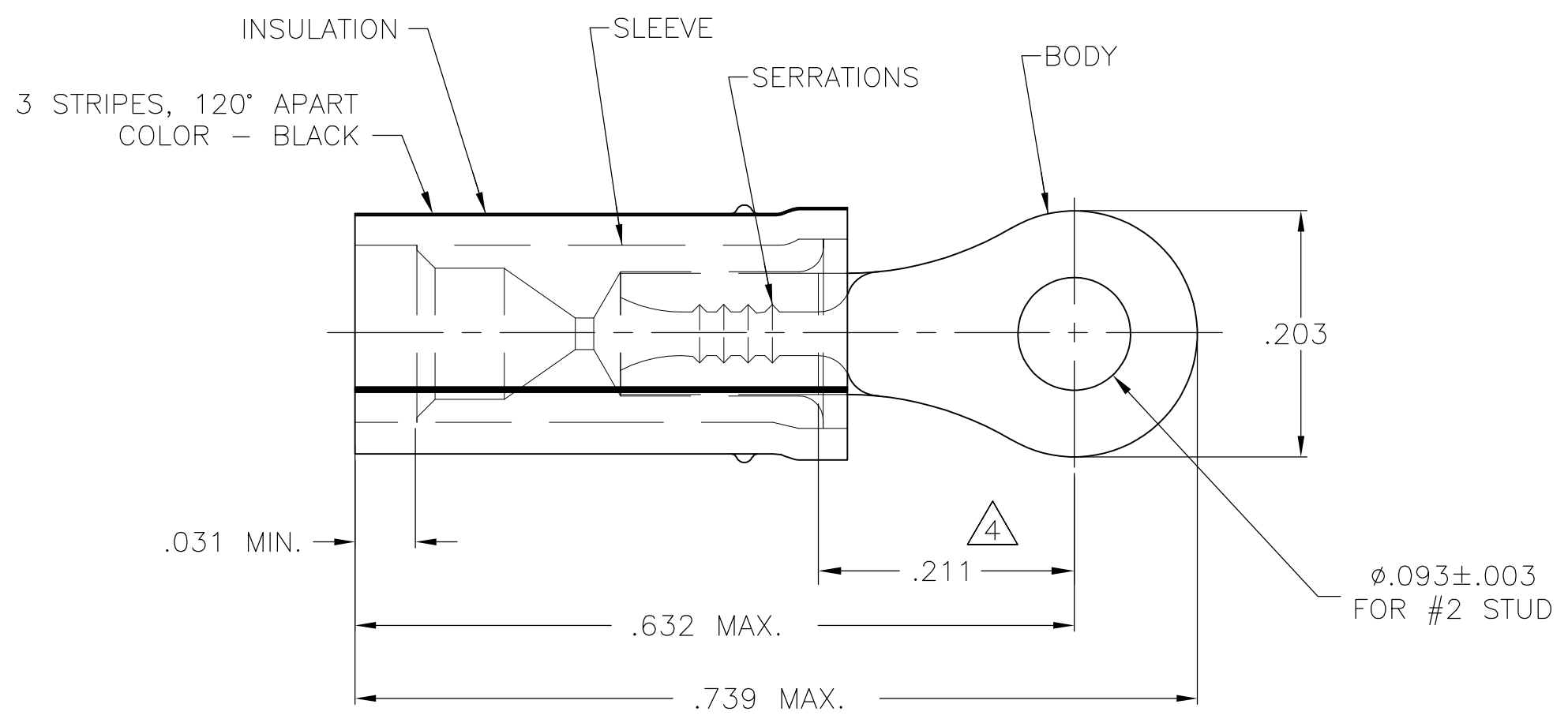
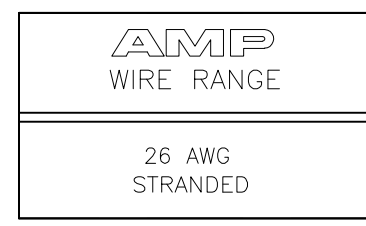


THIS DRAWING IS UNPUBLISHED. RELEASED FOR PUBLICATION  
 © COPYRIGHT - By - ALL RIGHTS RESERVED.

LOC	DIST	REVISIONS			
P	LTR	DESCRIPTION	DATE	DWN	APVD
G	14	G	REVISED PER ECO-14-015277	10FEB2015	NK DR



- 1 TONGUE MATERIAL THK: .027±.001.
- 2 FOR .026 TO .055 WIRE INS. OD.
- 3 MUST BE CRIMPED WITH 22-18 OR 22-16 PIDG (RED) TOOL.
- 4 APPLIED FROM EDGE OF METAL WIRE BARREL TO CENTER OF STUD HOLE.
- 5 BODY & SLEEVE: CU PER ASTM B152 INSULATION: NYLON, COLOR - YELLOW.
- 6 BODY: TIN PLATE PER ASTM B545 SLEEVE: NI PLATE PER QQ-N-290.

M7928/1-1 CLASS 1 & 2	1	WIRE TERMINAL	53078
MILITARY P/N AND CLASS	QTY	PACKAGE TYPE	PART NO

**AMP INCORPORATED**  
**CUSTOMER SERVICE SYSTEMS**

FOR ADDITIONAL PRODUCT INFORMATION OR COPIES OF DRAWINGS AND TECHNICAL DOCUMENTS  
 PRODUCT INFORMATION CENTER  
 1-800-522-6752

FOR APPLICATION TOOLING INFORMATION  
 TOOLING ASSISTANCE CENTER  
 1-800-722-1111

FOR ORDER ENTRY  
 1-800-526-5142

MAX RECOMMENDED OPERATING TEMPERATURE:  
 105°C [221°F]

VOLTAGE RATING:  
 300V MAX

CIRCULAR MIL AREA:  
 0.12-0.15mm² [238-304] STRANDED

THIS DRAWING IS A CONTROLLED DOCUMENT.

DIMENSIONS: INCHES

TOLERANCES UNLESS OTHERWISE SPECIFIED:

0 PLC	± -
1 PLC	± -
2 PLC	± .008
3 PLC	± -
4 PLC	± -
ANGLES	± -
FINISH	± -

MATERIAL

DWN JR RUTH 28OCT08  
 CHK TOM MICHIELUTTI 28OCT08  
 APVD TOM MICHIELUTTI 28OCT08  
 PRODUCT SPEC  
 APPLICATION SPEC  
 WEIGHT -

**STE** TE Connectivity

NAME: TERMINAL, PIDG, RING TONGUE, INSULATION RESTRICTING WIRE SIZE: 26

SIZE: A3 CAGE CODE: 00779 DRAWING NO: C-53078 RESTRICTED TO: -

CUSTOMER DRAWING SCALE: 8:1 SHEET: 1 OF 1 REV: G