



Contact Layout



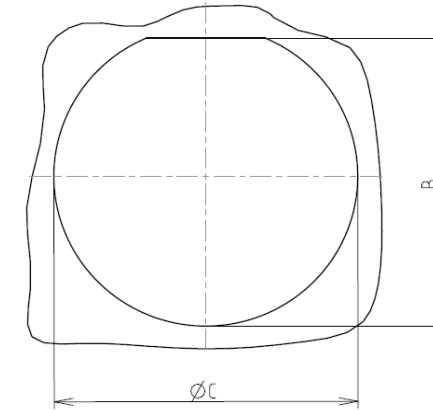
| Contacts<br>(Insert arrangement 21-35) |              |              |                     |             |             |
|--|--------------|--------------|---------------------|-------------|-------------|
| Contact position ID                    | Location     |              | Contact position ID | Location    |             |
|  | X-axis (mm)  | Y-axis (mm)  |                     | X-axis (mm) | Y-axis (mm) |
| 1                                      | +053 (1.35)  | +426 (10.82) | 41                  | -098 (2.49) | -322 (8.18) |
| 2                                      | +146 (3.71)  | +404 (10.26) | 42                  | -184 (4.67) | -280 (7.11) |
| 3                                      | +232 (5.89)  | +362 (9.19)  | 43                  | -258 (6.55) | -220 (5.59) |
| 4                                      | -306 (7.77)  | +302 (7.67)  | 44                  | -311 (7.90) | -141 (3.58) |
| 5                                      | +365 (9.27)  | +227 (5.77)  | 45                  | -332 (8.43) | -048 (1.22) |
| 6                                      | +406 (10.31) | +141 (3.58)  | 46                  | -332 (8.43) | +048 (1.22) |
| 7                                      | +427 (10.85) | +048 (1.22)  | 47                  | -311 (7.90) | +141 (3.58) |
| 8                                      | +427 (10.85) | -048 (1.22)  | 48                  | -258 (6.55) | +220 (5.59) |
| 9                                      | +406 (10.31) | -141 (3.58)  | 49                  | -184 (4.67) | +280 (7.11) |
| 10                                     | +365 (9.27)  | -227 (5.77)  | 50                  | -098 (2.49) | +322 (8.18) |
| 11                                     | +306 (7.77)  | -302 (7.67)  | 51                  | -048 (1.22) | +241 (6.12) |
| 12                                     | +232 (5.89)  | -362 (9.19)  | 52                  | +048 (1.22) | +241 (6.12) |
| 13                                     | +146 (3.71)  | -404 (10.26) | 53                  | +134 (3.40) | +199 (5.05) |
| 14                                     | +053 (1.35)  | -426 (10.82) | 54                  | +208 (5.28) | +139 (3.53) |
| 15                                     | -053 (1.35)  | -426 (10.82) | 55                  | +237 (6.02) | +048 (1.22) |
| 16                                     | -146 (3.71)  | -404 (10.26) | 56                  | +237 (6.02) | -048 (1.22) |
| 17                                     | -232 (5.89)  | -362 (9.19)  | 57                  | +208 (5.28) | -139 (3.53) |

| Contacts<br>(Insert arrangement 21-35) |              |              |                     |             |             |
|--|--------------|--------------|---------------------|-------------|-------------|
| Contact position ID                    | Location     |              | Contact position ID | Location    |             |
|  | X-axis (mm)  | Y-axis (mm)  |                     | X-axis (mm) | Y-axis (mm) |
| 18                                     | -306 (7.77)  | -302 (7.67)  | 58                  | +134 (3.40) | -199 (5.05) |
| 19                                     | -365 (9.27)  | -227 (5.77)  | 59                  | +048 (1.22) | -241 (6.12) |
| 20                                     | -406 (10.31) | -141 (3.58)  | 60                  | -048 (1.22) | -241 (6.12) |
| 21                                     | -427 (10.85) | -048 (1.22)  | 61                  | -134 (3.40) | -199 (5.05) |
| 22                                     | -427 (10.85) | +048 (1.22)  | 62                  | -208 (5.28) | -139 (3.53) |
| 23                                     | -406 (10.31) | +141 (3.58)  | 63                  | -237 (6.02) | -048 (1.22) |
| 24                                     | -365 (9.27)  | +227 (5.77)  | 64                  | -237 (6.02) | +048 (1.22) |
| 25                                     | -306 (7.77)  | +302 (7.67)  | 65                  | -208 (5.28) | +139 (3.53) |
| 26                                     | -232 (5.89)  | +362 (9.19)  | 66                  | -134 (3.40) | +199 (5.05) |
| 27                                     | -146 (3.71)  | +404 (10.26) | 67                  | -048 (1.22) | +146 (3.71) |
| 28                                     | -053 (1.35)  | +426 (10.82) | 68                  | +048 (1.22) | +146 (3.71) |
| 29                                     | +000 (0.00)  | +323 (8.20)  | 69                  | +125 (3.18) | +090 (2.29) |
| 30                                     | +098 (2.49)  | +322 (8.18)  | 70                  | +155 (3.94) | +000 (0.00) |
| 31                                     | +184 (4.67)  | +280 (7.11)  | 71                  | +125 (3.18) | -090 (2.29) |
| 32                                     | +258 (6.55)  | +220 (5.59)  | 72                  | +048 (1.22) | -146 (3.71) |
| 33                                     | +311 (7.90)  | +141 (3.58)  | 73                  | -048 (1.22) | -146 (3.71) |
| 34                                     | +332 (8.43)  | +048 (1.22)  | 74                  | -125 (3.18) | -090 (2.29) |
| 35                                     | +332 (8.43)  | -048 (1.22)  | 75                  | -155 (3.94) | +000 (0.00) |
| 36                                     | +311 (7.90)  | -141 (3.58)  | 76                  | -125 (3.18) | +090 (2.29) |
| 37                                     | +258 (6.55)  | -220 (5.59)  | 77                  | +000 (0.00) | +053 (1.35) |
| 38                                     | +184 (4.67)  | -280 (7.11)  | 78                  | +048 (1.22) | -029 (0.74) |
| 39                                     | +098 (2.49)  | -322 (8.18)  | 79                  | -048 (1.22) | -029 (0.74) |
| 40                                     | +000 (0.00)  | -347 (8.81)  | ---                 | ---         | ---         |

| (Applicable to MIL-DTL-38999 only) |                 |                    |               |                |                  |            |
|------------------------------------|-----------------|--------------------|---------------|----------------|------------------|------------|
| Shell size                         | Arrangement no. | Number of contacts | Size contacts | Service rating | Contact location | Supersedes |
| 21                                 | -35             | 79                 | 22D           | M              | ALL              | MS27531-35 |

Panel cutout

JAM NUT RECEPTACLE (TYPE 7)



Max. thickness panel for receptacle: Type 7: 3.2 mm

| Dim | Nominal       |
|-----|---------------|
| B   | 37.08+0/-0.25 |
| ØC  | 38.35+0.25/-0 |

SOURIAU shall not be liable for any non-conformity or damage due to a use of the Products which does not comply with the Specifications issued by either of the Parties or by a third party (professional recommendation, technical notice.)

| Country | Jurisdiction & Control List |
|---------|-----------------------------|
| FR      | Not Listed                  |

PN: 8D721W35AD

|                |                                    |  |                               |
|----------------|------------------------------------|--|-------------------------------|
| A              | 08-11-2016                         | First Release  |                               |
| ISS            | DATE                               | Latest modification - by   | MOD N°                        |
| Designed By:   |                                    | Date:  | <b>CUSTOMER DRAWING</b>       |
| <b>TITLE</b>   | Aluminium Receptacle 8D series     |  |                               |
| SCALE          |                                    | General linear Tolerances: ±--   | NPRDS / PROJECT<br><b>859</b> |
| NA             |                                    | This document is the property of SOURIAU<br>it must not be reproduced or communicated without permission |                               |
| <b>SOURIAU</b> | <b>WWW.SOURIAU.COM</b>             |  |                               |
| FORMAT         | <b>SOURIAU DRG N° 8D721W35AD-C</b> |  | SHEET<br>2/2                  |