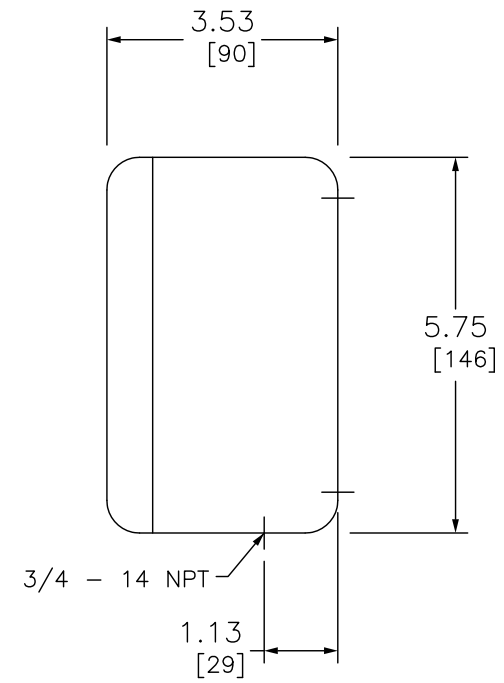
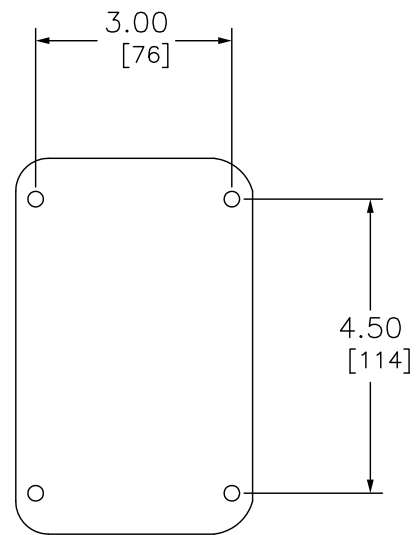


FRONT



RIGHT



BACK

DUAL DIMENSIONS: INCHES  
MILLIMETERS

CONTROL STATION + OPERATORS



DWG# 9001KYK26  
NO.