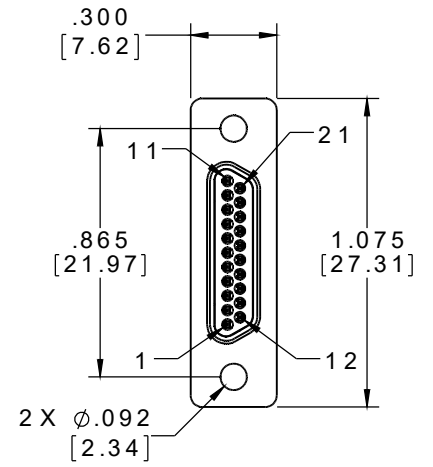
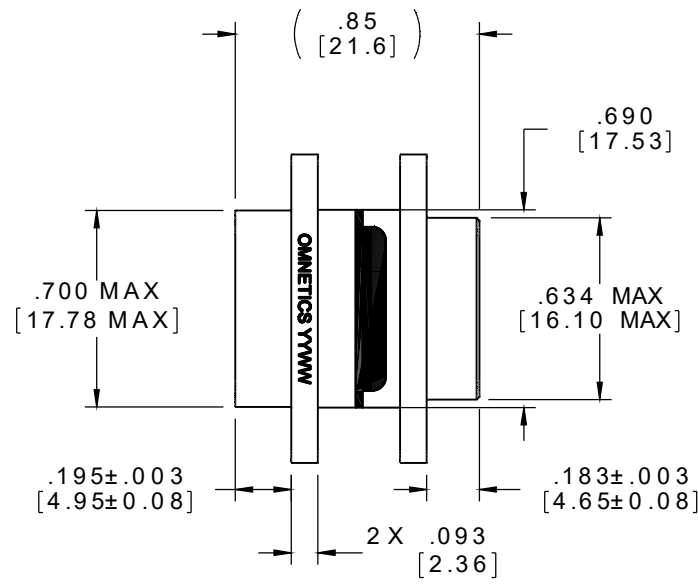
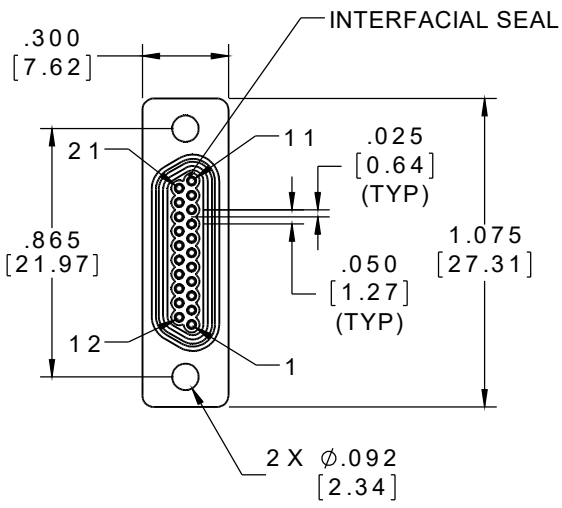


PART NO.	A97011-021	REV	ECO	DATE	APP
		A	100186	01-15-14	TLM



**MATERIALS**

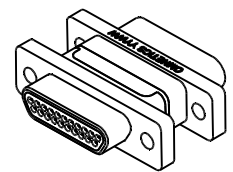
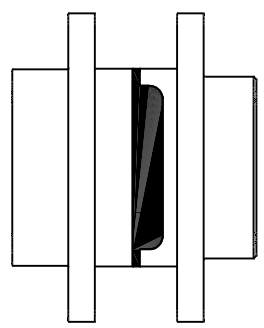
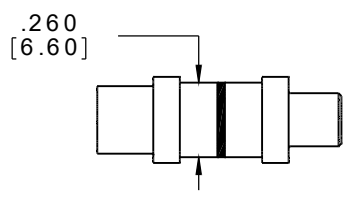
**HOUSING:**  
ALUMINUM 6061-T6, NICKEL PLATE  
PER SAE-AMS-2404

**INSULATOR:**  
LIQUID CRYSTAL POLYMER (LCP)  
PER ASTM D5138

**MALE CONTACT:**  
BERYLLIUM COPPER PER ASTM  
B194, C17200, GOLD PLATED PER  
ASTM B488, (HARD GOLD) TYPE II  
CODE C, CLASS 1.27

**FEMALE CONTACT/SOLDERCUP:**  
COPPER ALLOY PER MIL-DTL-  
83513, GOLD PLATED PER ASTM  
B488, (HARD GOLD) TYPE II CODE  
C CLASS 1.27

**INTERFACIAL SEAL:**  
SILICONE RUBBER PER A-A-59588



ACTUAL SIZE

MMDZ SLDW	THIRD ANGLE	THIS DRAWING CONTAINS CONFIDENTIAL AND PROPRIETARY INFORMATION WHICH IS THE PROPERTY OF OMNETICS CONNECTOR CORP. THIS DOCUMENT MAY NOT, IN WHOLE OR IN PART, BE DUPLICATED, OR DISCLOSED FOR ANY PURPOSE, WITHOUT WRITTEN PERMISSION FROM OMNETICS CONNECTOR CORP.		<b>OMNETICS</b> CONNECTOR CORPORATION 7260 COMMERCE CIRCLE EAST MINNEAPOLIS, MN 55432 WWW.OMNETICS.COM	CAGE CODE 61873		
	-TOLERANCES-	DFTM. MJM	DATE 08-23-13		TITLE:	DWG NO. A97011-021	
	UNLESS OTHERWISE NOTED	CHK'D.	DATE		(21) POSITION MICRO-D CONNECTOR SAVER	SHEET 1 OF 1	
	DIMENSIONS IN INCHES	APP'D.	DATE		-	REV	A
2 PL DEC ± .01				SCALE: 3:2			
3 PL DEC ± .005							
4 PL DEC ± .0005							
ANGLES ± 1°							