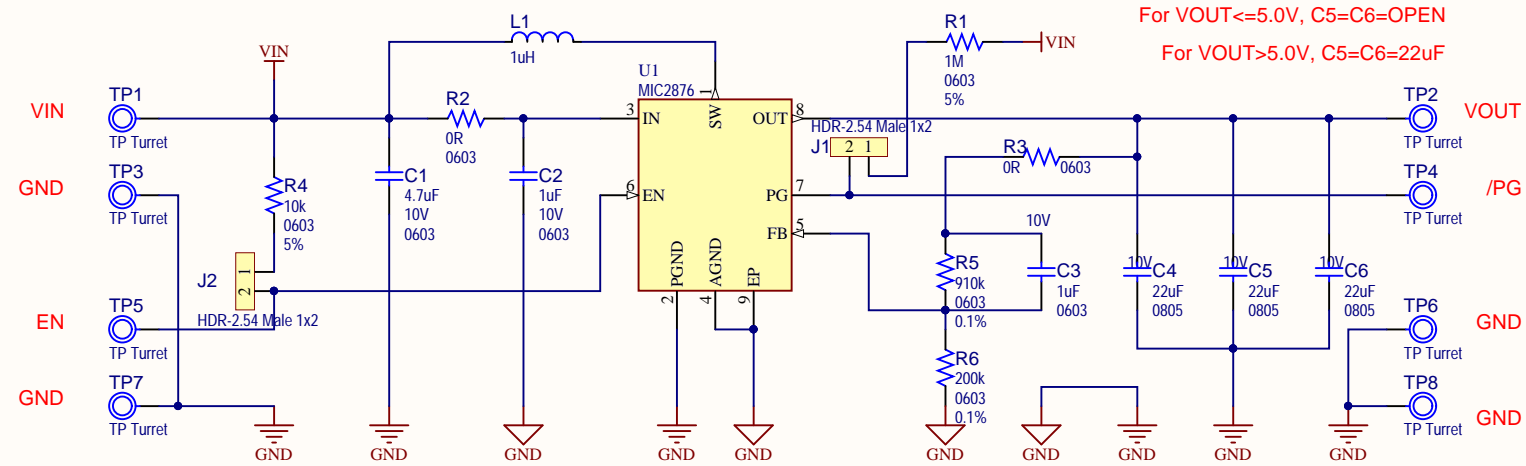


REV	ECO#	DESCRIPTION	DATE



The FB Divider is Dimensioned for the Adjustable MIC2875/6 Version with VOUT=5.0V
 For the Fixed MIC2875/6 Versions, R5=0 ohm and R6=OPEN

- JP1
Shunt 2.54mm 1x2 Handle
- JP2
Shunt 2.54mm 1x2 Handle

02- -R1
JIT
 LABEL Need Help Small

- PAD1
Rubber Pad Cyl D7.9H5.3
- PAD2
Rubber Pad Cyl D7.9H5.3
- PAD3
Rubber Pad Cyl D7.9H5.3
- PAD4
Rubber Pad Cyl D7.9H5.3

Drawn By: Victor Uzum		
Engineer: Victor Uzum		
PartNumber: ADM00824	Project Title MIC2875/76 Evaluation Board	
Sheet Title MIC2875/76 Evaluation Board		
Size B	Sch #03-10635 Revision:1	Date: 8/8/2017 2:51:34 PM Sheet 1 of 1
File: 03-10635-R1.SchDoc		

Designed with

 Altium.com