

1 2 3 4 5 6 7 8 9

F

E

D

C

B

A

F

E

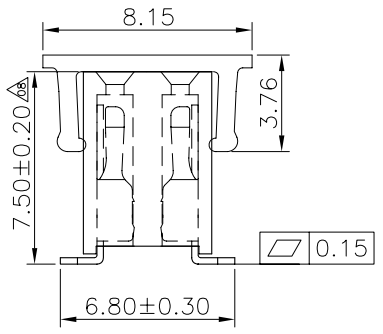
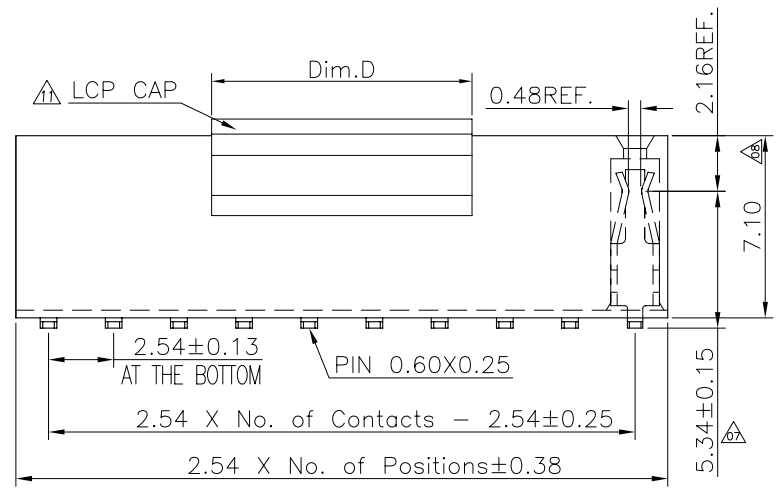
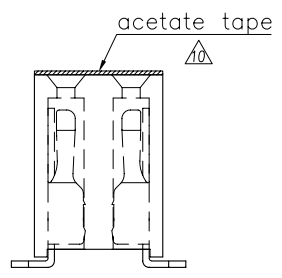
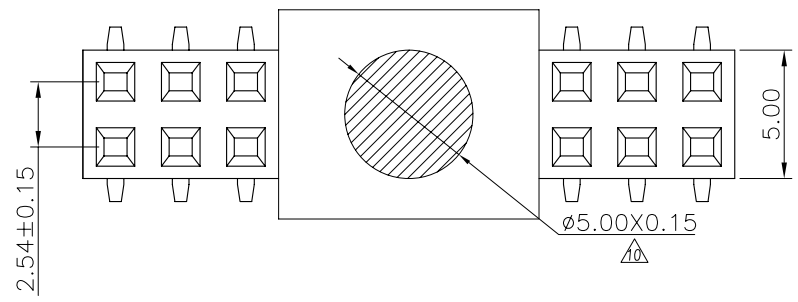
D

C

B

A

REV.	LOCAS.	DESCRIPTION	DATE	DRAWN
07	△7	依業務要求新增5.34尺寸及標注公差，并變更圖號	2011.03.03	蒙華明
08	△8	依業務要求變更尺寸公差	2011.03.04	李芳忠
09	△9	更正塑膠材質	2012.02.03	李芳忠
10	△10	依上級要求變更膠紙配方	2013.01.21	李芳忠
11	△11	依業務要求標明CAP材質	2013.11.20	李芳忠

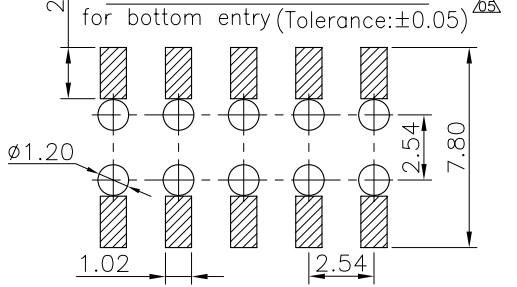


Specifications  
 Current Rating:3Amp  
 Insulation Resistance:1000MΩMin.  
 Dielectric Withstanding Voltage:600VAC  
 Contact Resistance:20mΩMax.  
 Operating Temperature:-40°C to +105°C  
 Materials  
 Contact Material:Phosphor Bronze  
 Insulator Material:High Temperature Thermoplastic, UL 94V-0 Nylon 6T or △9 the equivalent material  
 All materials must meet Greenconn requirement for environment protection.  
 Mating Data  
 Mates with 0.64mm square pins. Top entry mating length=2.70 to 6.80mm. Bottom entry mating length=7.50 to 8.20mm.

Recommended P.C.Board Layout



Recommended P.C.B.Layout for bottom entry (Tolerance:±0.05)



### Ordering Information △

C SHC221 - XX XX A 001 B 1 A X

No. of Pins per Row 02~40  
 Standard Plating 02=Gold Flash  
 Selective Plating 01=Tin 05=Gold Flash/Tin  
 Color 1=Black  
 Standard Packing C=Tube  
 Selective Packing A=Box E=Cap+Tube F=Cap+Tape&Reel G=Acetate Tape+Tube H=Acetate Tape+Tape&Reel

Dim.D	NOTE
4.00mm	02~07pins
10.15mm	08~40pins

格菱股份有限公司  
**Greenconn Corporation**

GENERAL TOLERANCE	
X.*±5.0°	X.±0.30
.X*±3.0°	.X±0.25
.XX*±2.0°	.XX±0.15
.XXX*±1.0°	.XXX±0.10

DESIGN: 李芳忠  
 CHECKED: 劉北平  
 AUDITED:  
 APPROVED:

DATE: 2013.11.20  
 DATE: 2013.11.20  
 DATE:  
 DATE:

DWG. NO. △△  
 CSHC221-CA1BA  
 PART NO. △  
 CSHC221-XXXX A001B1AX

TITLE.  
 2.54 FEMALE HEADER  
 DUAL ROWS SMT TYPE  
 CONNECTOR

1 2 3 4 5 6 7 8 9