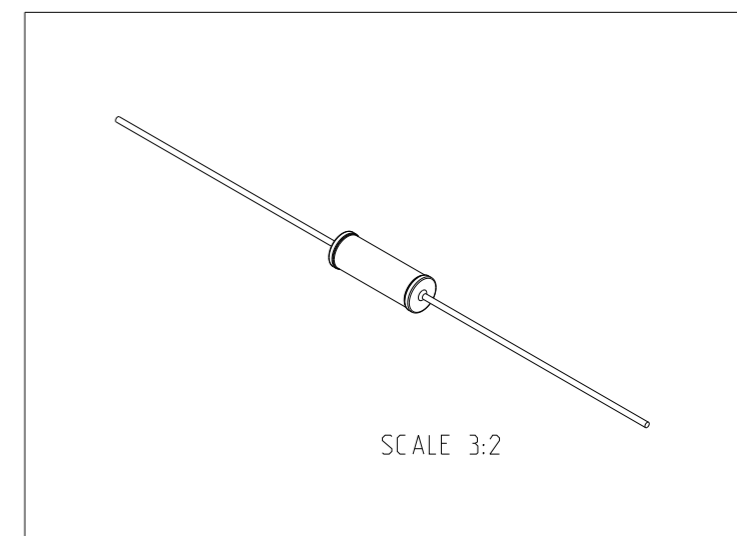
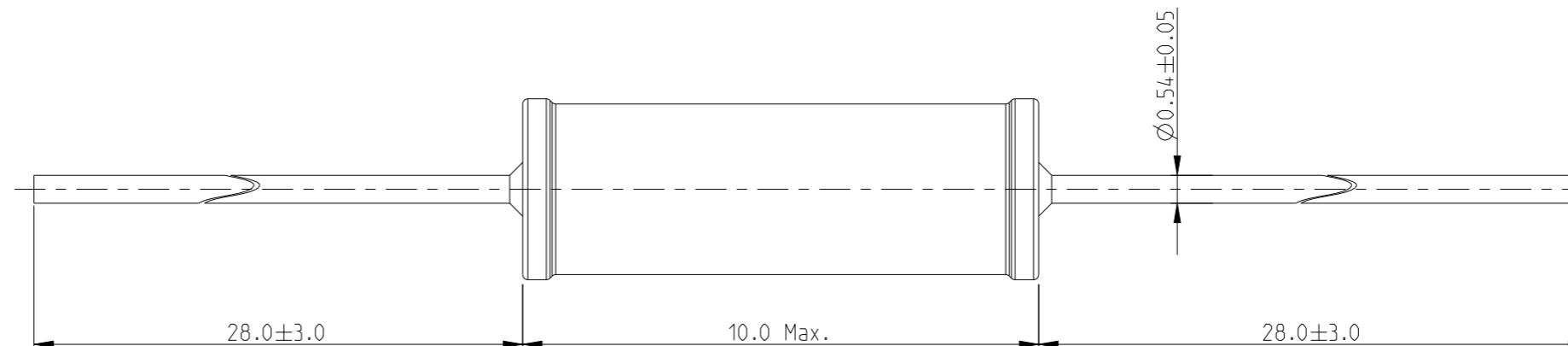
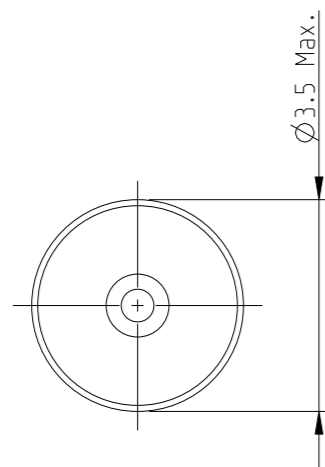


REVISIONS

| P | LTR | DESCRIPTION                 | DATE      | DWN | APVD |
|---|-----|-----------------------------|-----------|-----|------|
|   | BA  | NEW RELEASE                 | 23-MAR-10 | MRS | St.P |
|   | BB  | CLARIFICATION OF DIMENSIONS | 18JAN2023 | DM  | AP   |
|   |     |                             |           |     |      |
|   |     |                             |           |     |      |

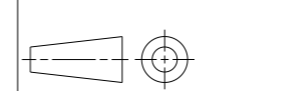
FOR FURTHER INFORMATION SEE DATA SHEET FOR SERIES LR, METAL FILM FIXED RESISTORS



RoHS Compliant

THIS DRAWING IS A CONTROLLED DOCUMENT.

DIMENSIONS: mm



MATERIAL -

TOLERANCES UNLESS OTHERWISE SPECIFIED:

|        |               |
|--------|---------------|
| 0 PLC  | $\pm 0.2$     |
| 1 PLC  | $\pm 0.1$     |
| 2 PLC  | $\pm$         |
| 3 PLC  | $\pm$         |
| 4 PLC  | $\pm$         |
| ANGLES | $\pm 5^\circ$ |
| FINISH | -             |

DWN MAHARUDRA 23-MAR-10

CHK ALLAN.P 23-MAR-10

APVD STEPHEN.P 23-MAR-10

PRODUCT SPEC -

APPLICATION SPEC -

WEIGHT -

CUSTOMER DRAWING

**STE** TE Connectivity

NAME METAL FILM FIXED RESISTORS SERIES LR2

|      |           |            |               |
|------|-----------|------------|---------------|
| SIZE | CAGE CODE | DRAWING NO | RESTRICTED TO |
| A3   | 00779     | C=1622690  | -             |

SCALE 8:1 SHEET 1 OF 1 REV BB