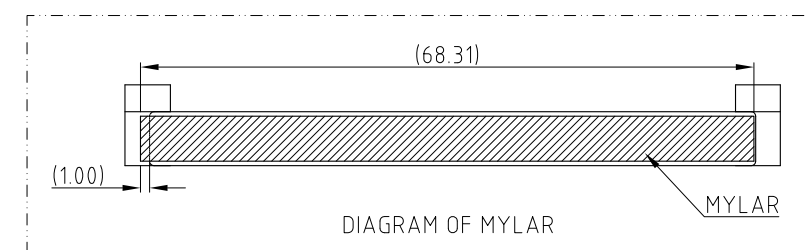
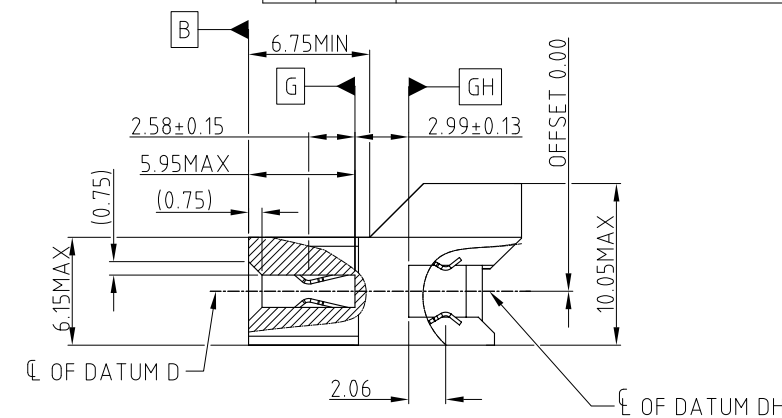
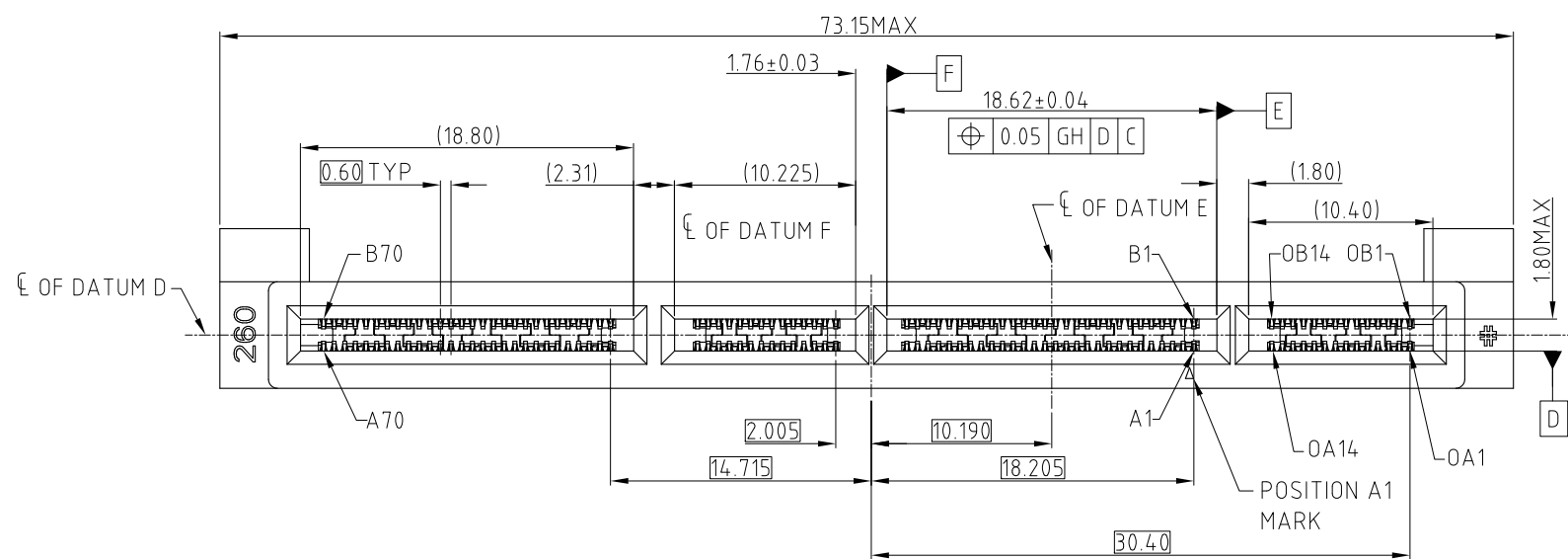


This document is the property of Amphenol Corporation and is delivered on the express condition that it is not to be disclosed, reproduced or used, in whole or in part, for manufacture or sale by anyone other than Amphenol Corporation without its prior consent, & that no right is granted to disclose or to use any information in this document.

CUSTOMER DRAWING

REVISIONS

SYM	ECN	DESCRIPTION	DATE	APPROVED
1	CDXXXX	PRELIMINARY PROPOSAL	Jan.29,2019	YH
2	CD1689	ADD OFFSET 0.00	Apr.03,2019	YH
3	CD1819	CHANGE NUT FROM STANDARD TO RECTANGLE AND ADD PACKING INFORMATION	Jul.08,2019	YH
4	CDXXXX	STANDARDIZE THE WAFER CONSTRUCTURE	Sep.25,2019	YH
5	CD---	ADD P/N OPTION FOR SMALL HARD TRAY AND MYLAR	Dec.04,2019	YH

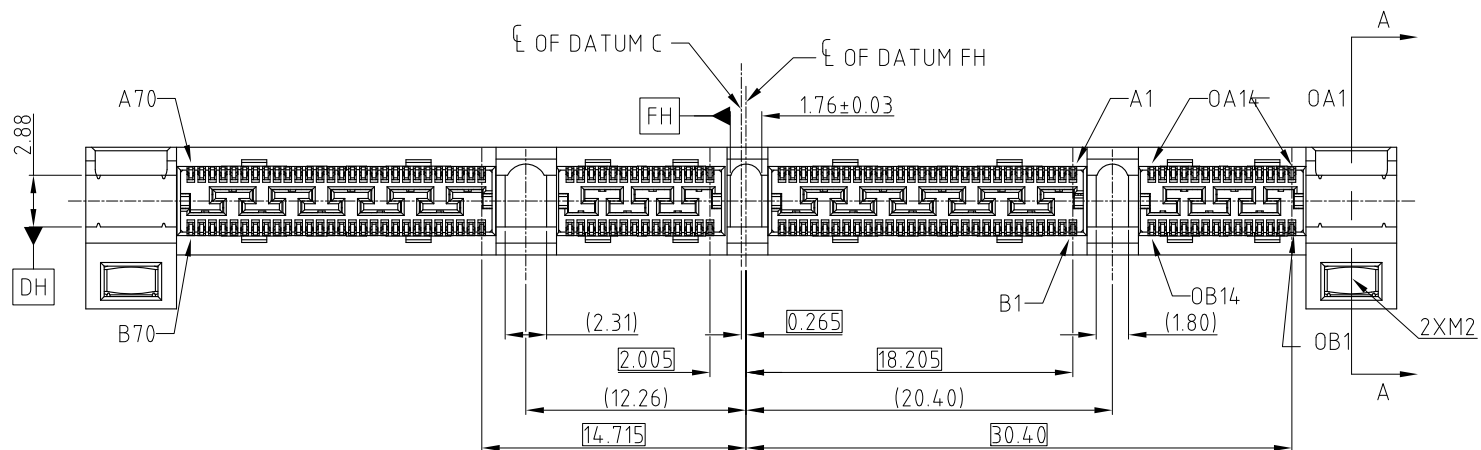
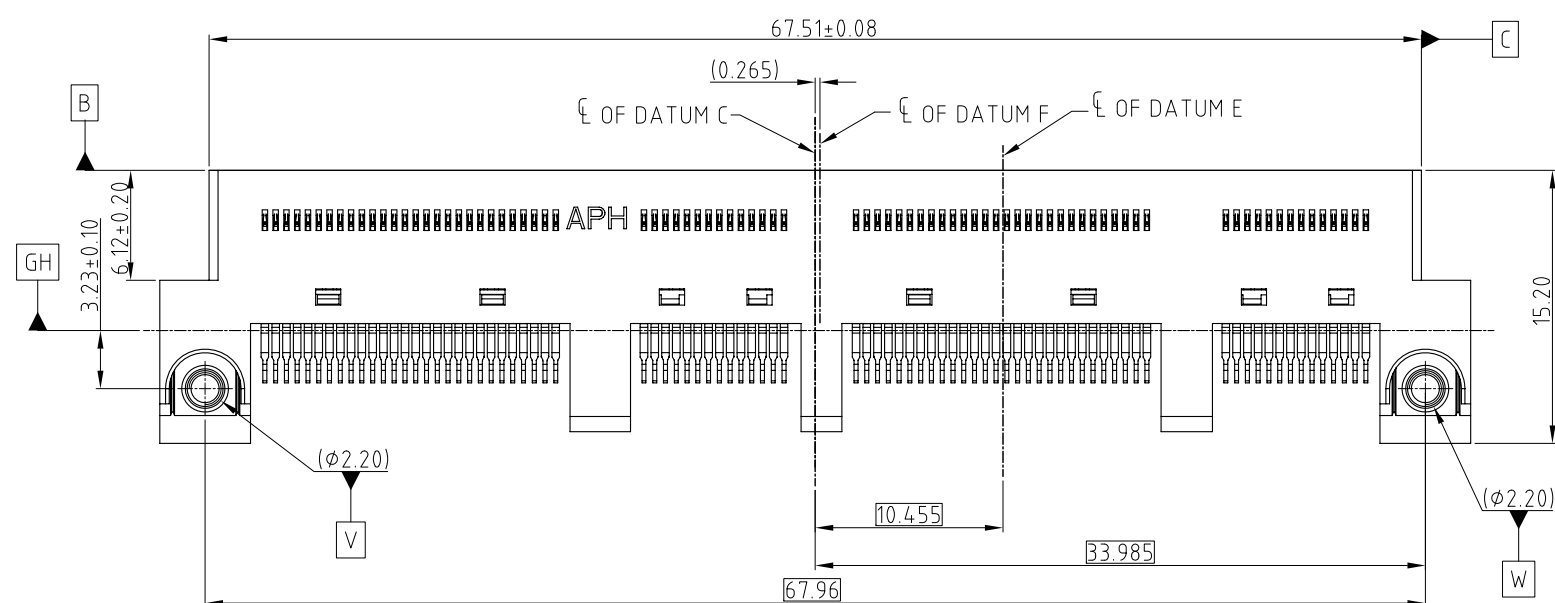


NOTE:

- MATERIAL:**
HOUSING: HIGH TEMPERATURE THERMOPLASTIC BLACK UL94-V0
CONTACT: COPPER ALLOY
NUT: STAINLESS STEEL
- PLATING:**
CONTACT: MATING AREA: Au THICKNESS PLEASE REFER TO PN SYSTEM, 1.27-2.54 μm NICKEL UNDERPLATED
SOLDER AREA: 1.27 μm MIN TIN OVER 1.27-2.54 μm NICKEL UNDERPLATED
- ELECTRICAL PERFORMANCE:**
RATED CURRENT: 1.1A/PIN UP TO 12PINS
LLCR: 30mΩ MAX, DELTA 15 mΩ.
INSULATION RESISTANCE: 1000MΩ MIN
- DURABILITY:** 200 CYCLES.
- MATERIAL SHOULD BE FULFILLED AMPHENOL SPEC#S-SN-002 AND S-SN-004**
- ORDERING PN SYSTEM ME10168X34XX70X**

- TRAY _____
3 SOFT TRAY
4 SINGLE-ROW HARD TRAY
- MYLAR _____
0 WITHOUT MYLAR
1 WITH MYLAR
- PLATING SPEC
1 0.76um Au
2 0.38um Au
3 GOLD FLASH
4 0.76GXT
5 0.38GXT

- SCREW
0 WITHOUT SCREWS
1 WITH SCREWS



UNLESS OTHERWISE SPECIFIED TOLERANCES	
U.S.	METRIC
.X +/-	0.25
.XX +/-	0.20
.XXX +/-	0.15
FRACTIONS +/-	
ANGLES +/-	5°

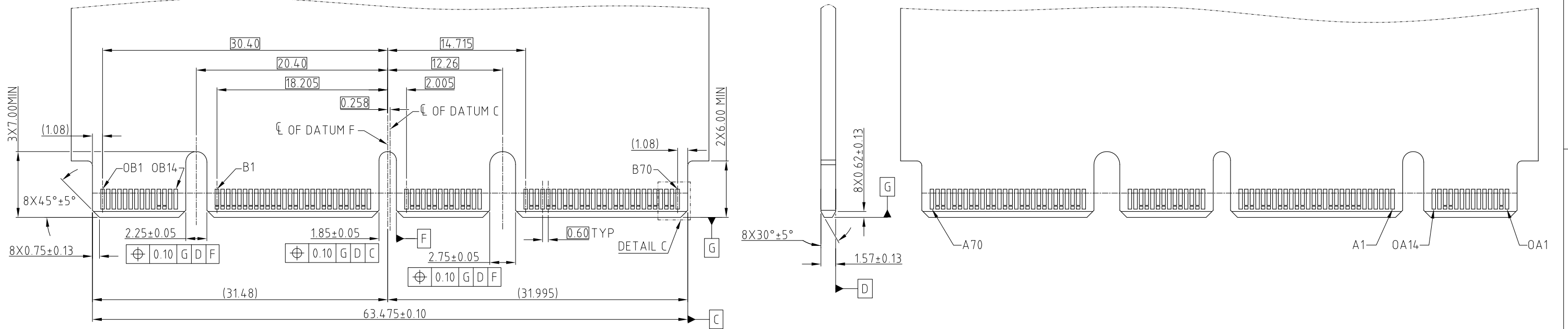
APPROVAL		DATE
DRAWN	Johnny	Dec.04,2019
CHECKED	Ly.Yi	Dec.04,2019
APPROVED		
DRAWING FILE :		
INTERNAL\ME\C ME10168X34XX70X		
ANGLE OF PROJECTION		

Amphenol		
TITLE		
MINI COOL EDGE CONNECTOR 168P S/M MATE 2.60 HOST PCB		
SIZE	DRAWING NO.	REV.
A3	C ME10168X34XX70X	5
SCALE	NONE	SHEET 1 OF 5

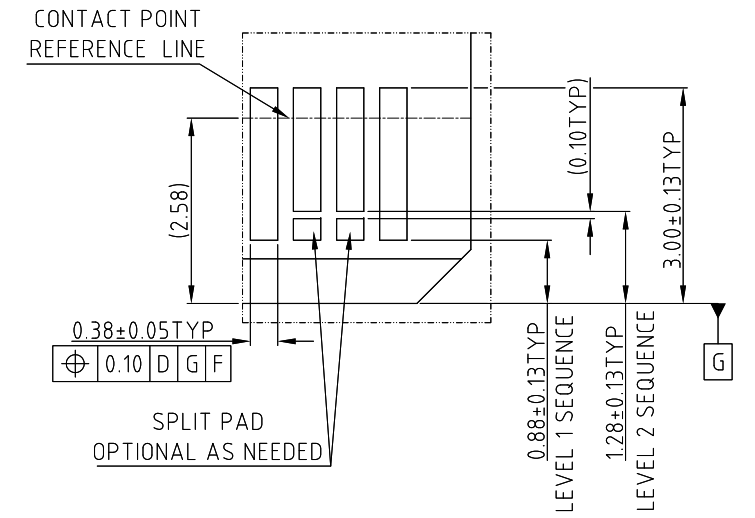
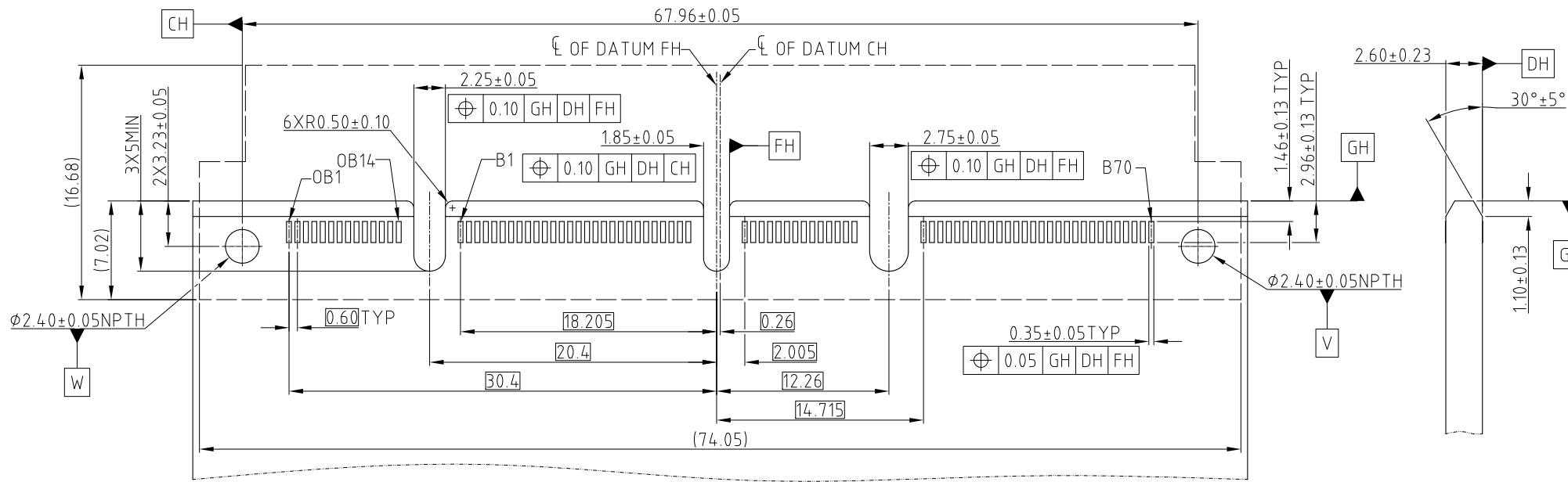
This document is the property of Amphenol Corporation and is delivered on the express condition that it is not to be disclosed, reproduced or used, in whole or in part, for manufacture or sale by anyone other than Amphenol Corporation without its prior consent, & that no right is granted to disclose or to use any information in this document.

CUSTOMER DRAWING

REVISIONS				
SYM	ECN	DESCRIPTION	DATE	APPROVED
		SEE SHEET 1		



RECOMMENDED AIC MATING CARD



DETAIL C SCALE 4:1



NOTE: POSITION A1 ON THE OPPOSITE SIDE OF CARD OF B1 RECOMMENDED FOOTPRINT

UNLESS OTHERWISE SPECIFIED TOLERANCES	
U.S.	METRIC
.X +/-	0.25
.XX +/-	0.20
.XXX +/-	0.15
FRACTIONS +/-	
ANGLES +/-	5°

FOR MATERIALS AND FINISHES SEE NOTES

REMOVE SHARP EDGES

DIMENSIONS	
U.S.	INCHES
(METRIC)	(mm)

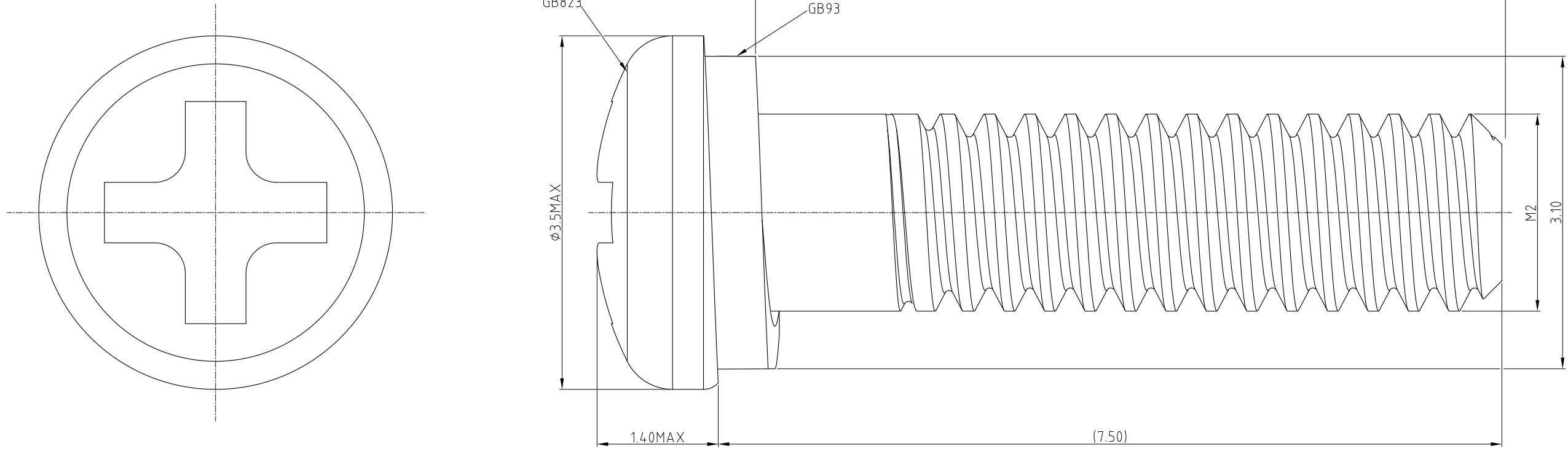
APPROVAL		DATE
DRAWN	Johnny	Dec.04,2019
CHECKED	Ly.Yi	Dec.04,2019
APPROVED		
DRAWING FILE :		
INTERNAL\ME\C ME10168X34XX70X		
ANGLE OF PROJECTION		

Amphenol		
TITLE		
MINI COOL EDGE CONNECTOR 168P S/M MATE 2.60 HOST PCB		
SIZE	DRAWING NO.	REV.
A3	C ME10168X34XX70X	5
SCALE	NONE	SHEET 2 OF 5

This document is the property of Amphenol Corporation and is delivered on the express condition that it is not to be disclosed, reproduced or used, in whole or in part, for manufacture or sale by anyone other than Amphenol Corporation without its prior consent, & that no right is granted to disclose or to use any information in this document.

CUSTOMER DRAWING

REVISIONS				
SYM	ECN	DESCRIPTION	DATE	APPROVED
		SEE SHEET 1		



SCREW

NOTE:

1. MATERIAL: SUS304
2. DIMENSIONS CONFORM TO GB823, GB93,
3. THE TORQUE 0.17N.M MAX



UNLESS OTHERWISE SPECIFIED TOLERANCES	
U.S.	METRIC
.X +/-	0.25
.XX +/-	0.20
.XXX +/-	0.15
FRACTIONS +/-	
ANGLES +/-	5°

FOR MATERIALS AND FINISHES SEE NOTES

REMOVE SHARP EDGES

DIMENSIONS	
U.S.	INCHES
(METRIC)	(mm)

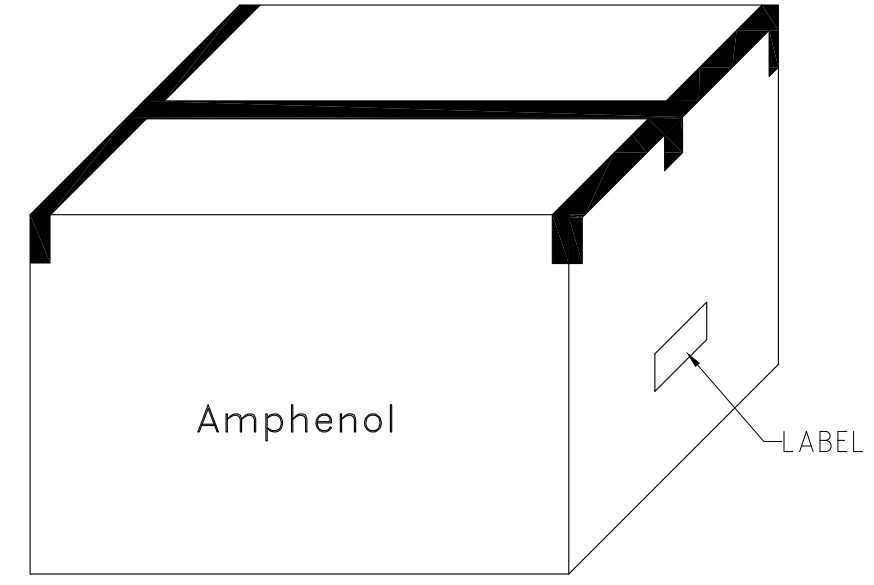
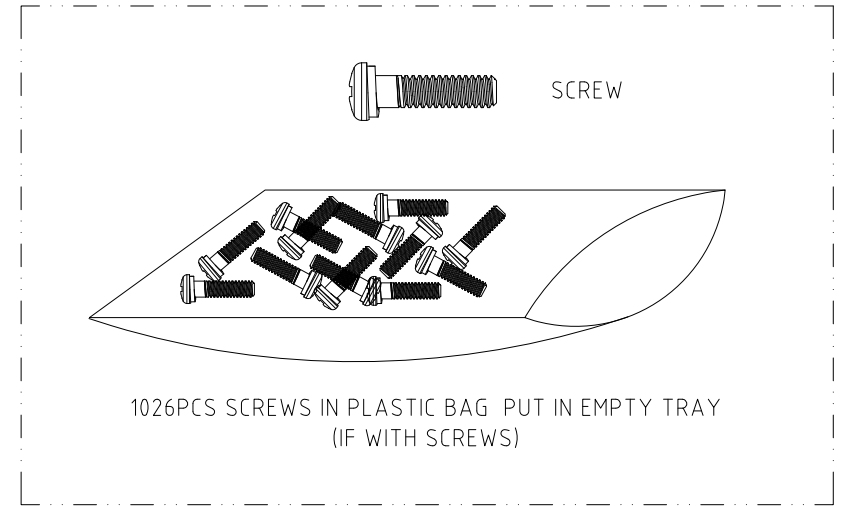
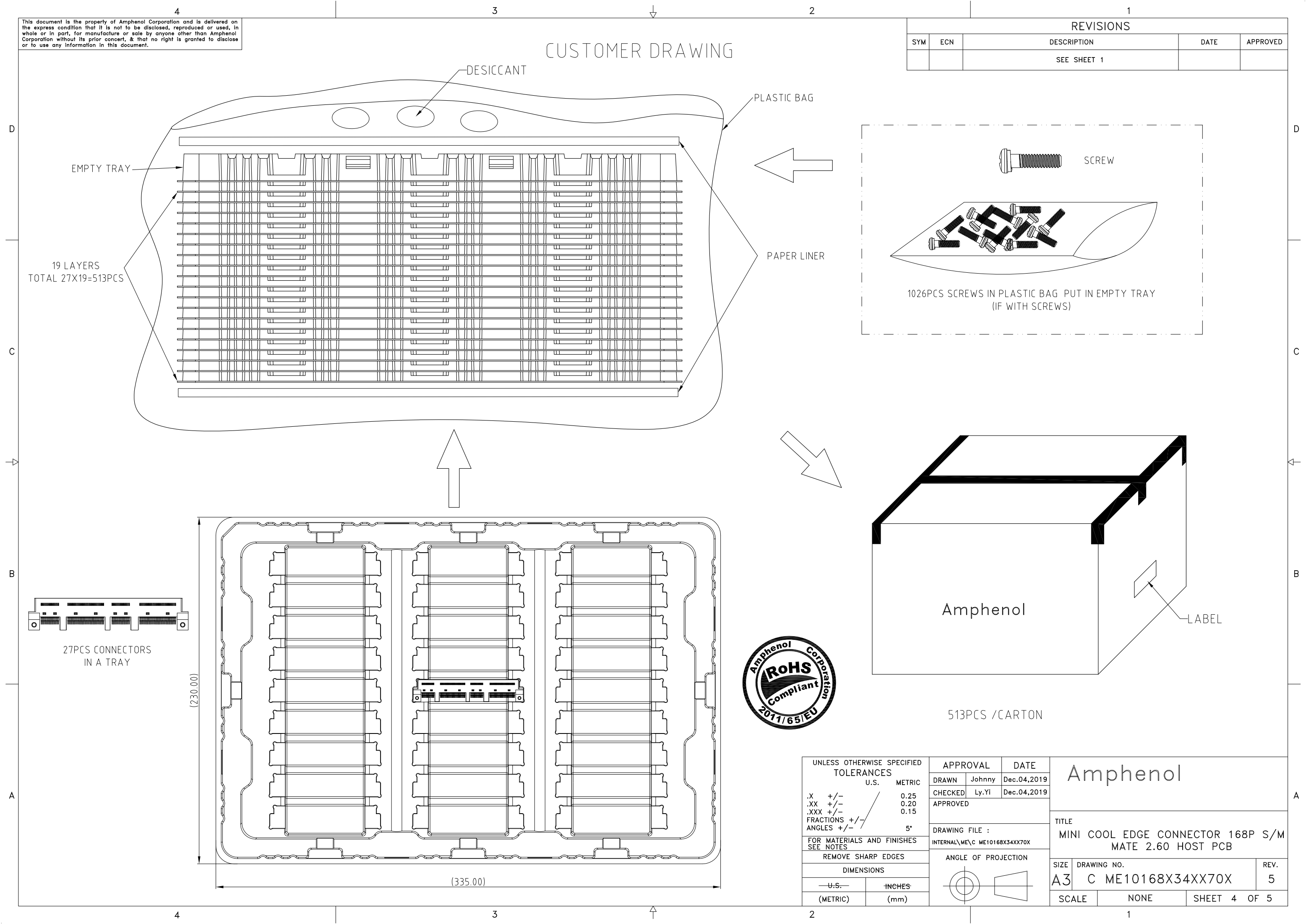
APPROVAL		DATE
DRAWN	Johnny	Dec.04,2019
CHECKED	Ly.Yi	Dec.04,2019
APPROVED		
DRAWING FILE :		
INTERNAL\ME\C ME10168X34XX70X		
ANGLE OF PROJECTION		

Amphenol		
TITLE MINI COOL EDGE CONNECTOR 168P S/M MATE 2.60 HOST PCB		
SIZE	DRAWING NO.	REV.
A3	C ME10168X34XX70X	5
SCALE	NONE	SHEET 3 OF 5

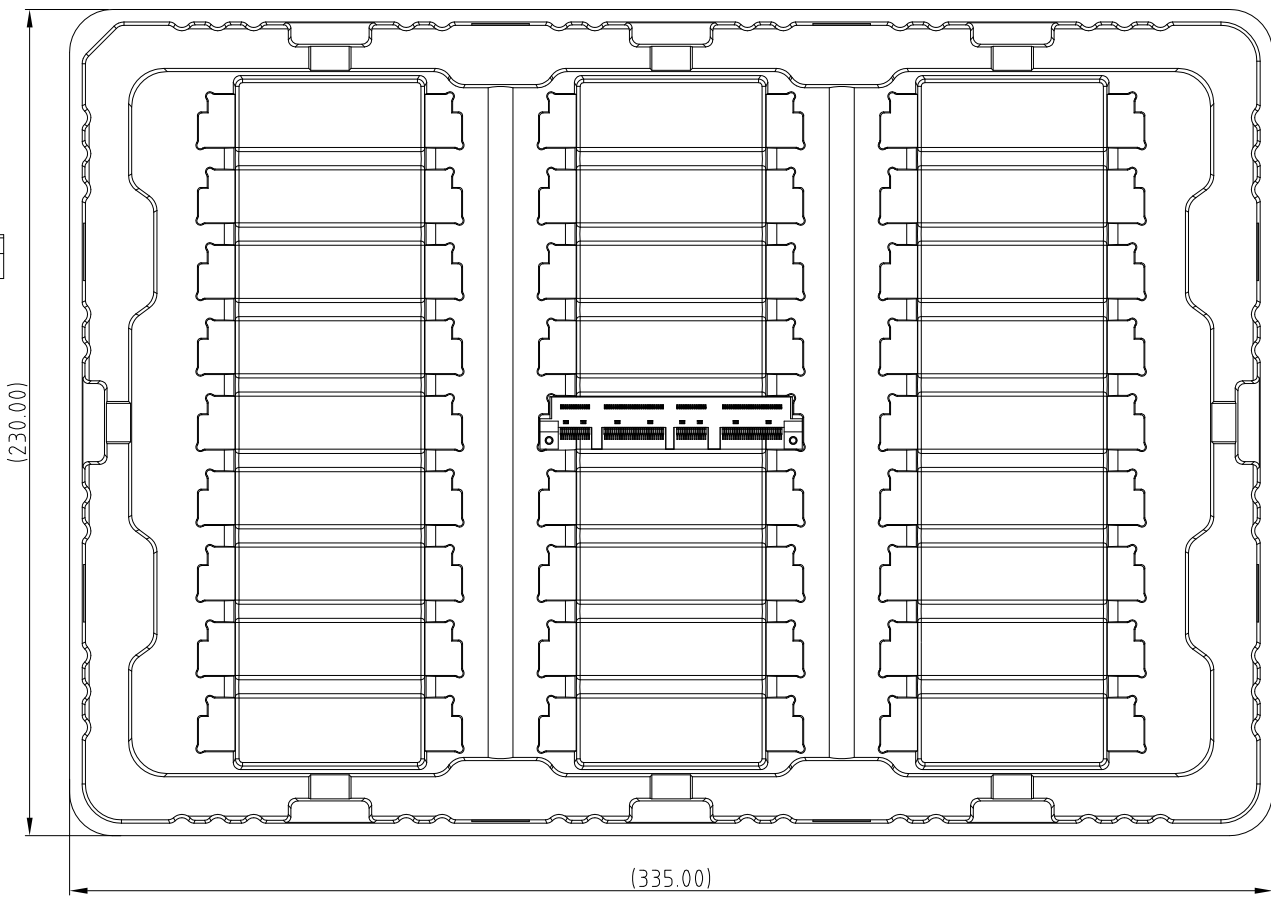
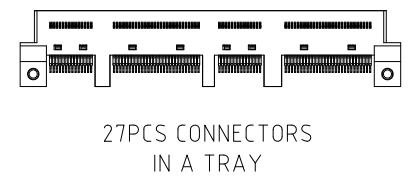
This document is the property of Amphenol Corporation and is delivered on the express condition that it is not to be disclosed, reproduced or used, in whole or in part, for manufacture or sale by anyone other than Amphenol Corporation without its prior consent, & that no right is granted to disclose or to use any information in this document.

CUSTOMER DRAWING

REVISIONS				
SYM	ECN	DESCRIPTION	DATE	APPROVED
		SEE SHEET 1		



513PCS /CARTON



UNLESS OTHERWISE SPECIFIED TOLERANCES	
U.S.	METRIC
.X +/-	0.25
.XX +/-	0.20
.XXX +/-	0.15
FRACTIONS +/-	
ANGLES +/-	5°
FOR MATERIALS AND FINISHES SEE NOTES	
REMOVE SHARP EDGES	
DIMENSIONS	
—U.S.—	INCHES
(METRIC)	(mm)

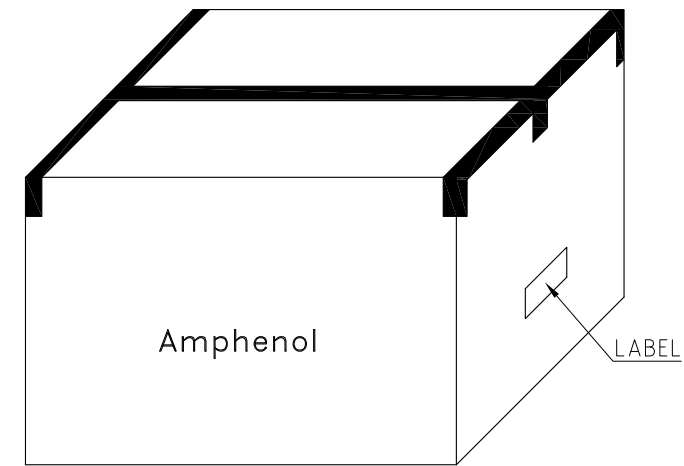
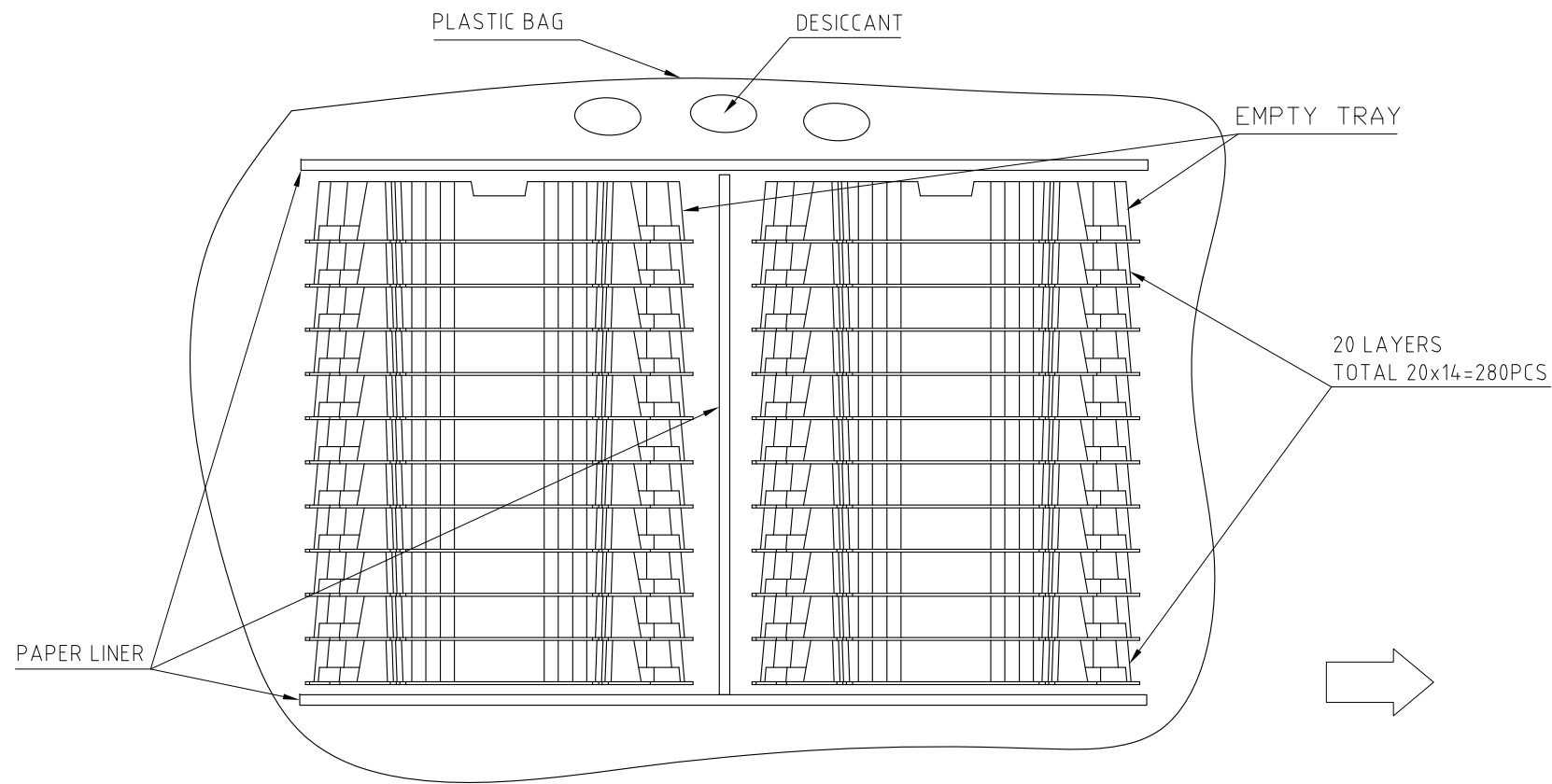
APPROVAL	DATE
DRAWN Johnny	Dec.04,2019
CHECKED Ly.Yi	Dec.04,2019
APPROVED	
DRAWING FILE :	
INTERNAL\ME\C ME10168X34XX70X	
ANGLE OF PROJECTION	

Amphenol		
TITLE		
MINI COOL EDGE CONNECTOR 168P S/M MATE 2.60 HOST PCB		
SIZE	DRAWING NO.	REV.
A3	C ME10168X34XX70X	5
SCALE	NONE	SHEET 4 OF 5

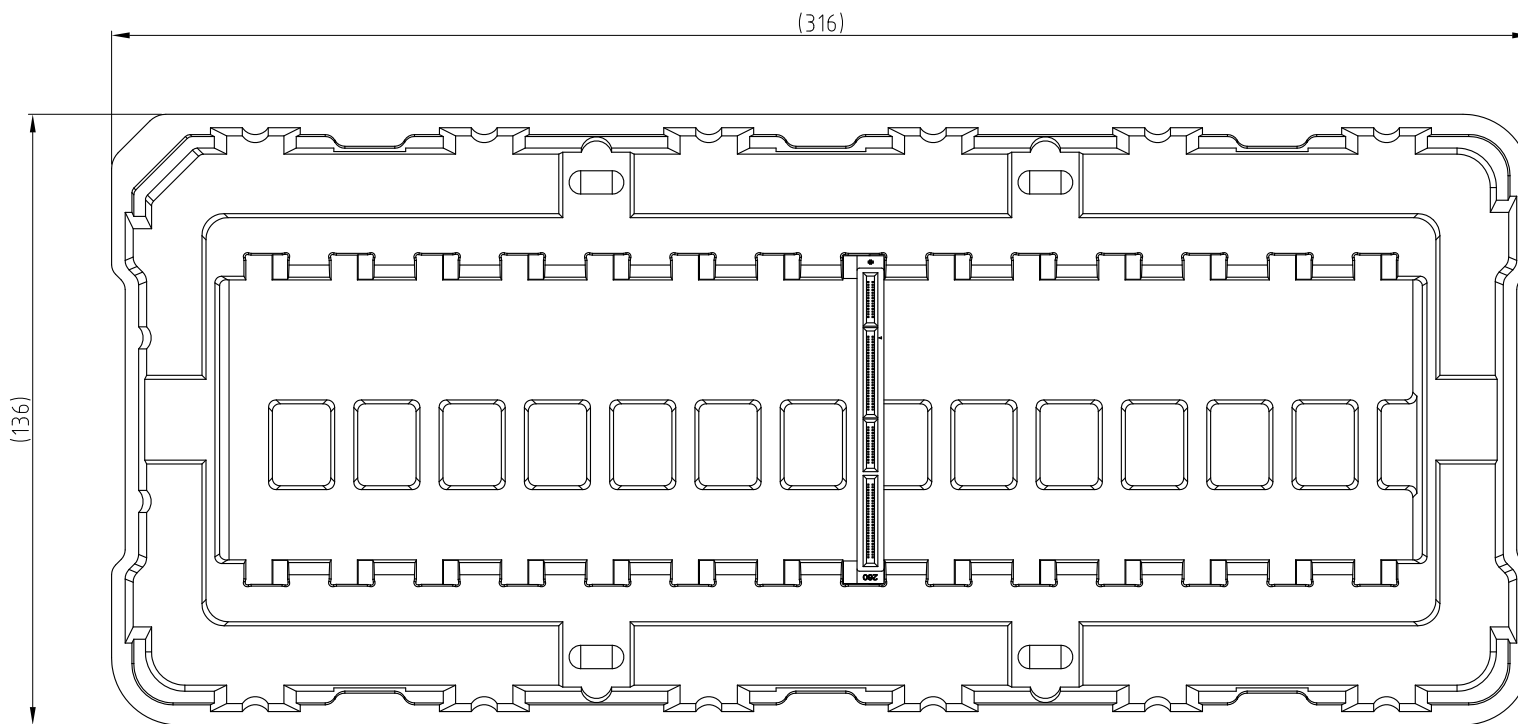
This document is the property of Amphenol Corporation and is delivered on the express condition that it is not to be disclosed, reproduced or used, in whole or in part, for manufacture or sale by anyone other than Amphenol Corporation without its prior consent, & that no right is granted to disclose or to use any information in this document.

CUSTOMER DRAWING

REVISIONS				
SYM	ECN	DESCRIPTION	DATE	APPROVED
		SEE SHEET 1		



280PCS / CARTON



UNLESS OTHERWISE SPECIFIED TOLERANCES		APPROVAL		DATE		Amphenol			
U.S. METRIC		DRAWN	Johnny	Dec.04,2019				TITLE MINI COOL EDGE CONNECTOR 168P S/M MATE 2.60 HOST PCB	
.X +/-	0.25	CHECKED	Ly.Yi	Dec.04,2019					
.XX +/-	0.20	APPROVED				SIZE	DRAWING NO.	REV.	
.XXX +/-	0.15	DRAWING FILE :		INTERNAL\ME\C ME10168X34XX70X		A3	C ME10168X34XX70X	5	
FRACTIONS +/-	5°	REMOVE SHARP EDGES		ANGLE OF PROJECTION		SCALE	NONE	SHEET 5 OF 5	
ANGLES +/-		DIMENSIONS							
FOR MATERIALS AND FINISHES SEE NOTES		—U.S.—		INCHES					
		(METRIC)		(mm)					