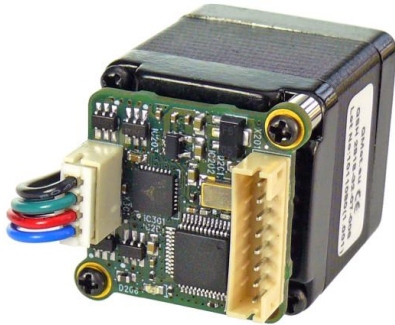


Hardware Version V1.2

# HARDWARE MANUAL

+



+

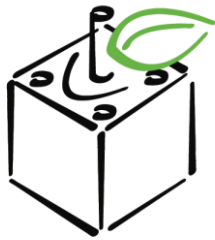
+

## PD-1021

Stepper Motor with  
Controller / Driver  
0.06 - 0.12Nm / 24V  
sens0step™ Encoder  
RS485 Interface

+

### UNIQUE FEATURES:



coolStep™

stallGuard<sup>2</sup>™

TRINAMIC Motion Control GmbH & Co. KG  
Hamburg, Germany

[www.trinamic.com](http://www.trinamic.com)

**TRINAMIC**  
MOTION CONTROL

# Table of Contents

|       |  |    |
|-------|--|----|
| 1     | Features.....                                | 3  |
| 2     | Order Codes .....                            | 5  |
| 3     | Mechanical and Electrical Interfacing.....   | 6  |
| 3.1   | Dimensions .....                             | 6  |
| 3.1.1 | Dimensions of PD28-1-1021 .....              | 6  |
| 3.1.2 | Dimensions of PD28-3-1021 .....              | 7  |
| 3.2   | Motor Characteristics .....                  | 8  |
| 3.3   | Connectors.....                              | 9  |
| 3.3.1 | Power, Communication and I/O Connector ..... | 10 |
| 3.3.2 | Motor Connector.....                         | 11 |
| 3.4   | Power Supply .....                           | 12 |
| 3.5   | Communication .....                          | 13 |
| 3.5.1 | RS485 .....                                  | 13 |
| 3.6   | Inputs and Outputs .....                     | 14 |
| 3.6.1 | Digital Inputs IN_0, IN_1, IN_2, IN_3 .....  | 14 |
| 3.6.2 | Outputs OUT_0, OUT_1 .....                   | 15 |
| 4     | Reset to Factory Defaults.....               | 16 |
| 5     | On-board LED.....                            | 16 |
| 6     | Operational Ratings .....                    | 17 |
| 7     | Torque Curves .....                          | 18 |
| 8     | Functional description .....                 | 19 |
| 9     | Life Support Policy.....                     | 20 |
| 10    | Revision History.....                        | 21 |
| 10.1  | Document Revision.....                       | 21 |
| 10.2  | Hardware Revision .....                      | 21 |
| 11    | References .....                             | 21 |

# 1 Features

The PANdrive™ PD-1021 is a full mechatronic extremely small and compact solution with state of the art feature set. It is highly integrated and offers a convenient handling. The PD-1021 includes a stepper motor, controller/driver electronics, and TRINAMIC's sensOstep™ encoder. It can be used in many decentralized applications and has been designed for 0.06... 0.12 Nm max. holding torque and 24V DC nominal supply voltage. With its high energy efficiency from TRINAMIC's coolStep technology cost for power consumption is kept down. The TMCL™ firmware allows for standalone operation and direct mode.

## MAIN CHARACTERISTICS

### Highlights

- Motion profile calculation in real-time
- On the fly alteration of motor parameters (e.g. position, velocity, acceleration)
- High performance microcontroller for overall system control and serial communication protocol handling
- For position movement applications, where larger motors do not fit and higher torques are not required

### Bipolar stepper motor driver

- Up to 256 microsteps per full step
- High-efficient operation, low power dissipation
- Dynamic current control
- Integrated protection
- stallGuard2 feature for stall detection
- coolStep feature for reduced power consumption and heat dissipation
- ready for dcStep

### Encoder

- sensOstep magnetic encoder (max. 1024 increments per rotation) e.g. for step-loss detection under all operating conditions and positioning supervision

### Interfaces

- Up to 4 multi-purpose inputs (2 shared with outputs)
- 2 general purpose outputs
- RS485 2-wire communication interface

### Software

- TMCL: standalone operation or remote controlled operation, program memory (non volatile) for up to 876 TMCL commands, and PC-based application development software TMCL-IDE available for free.

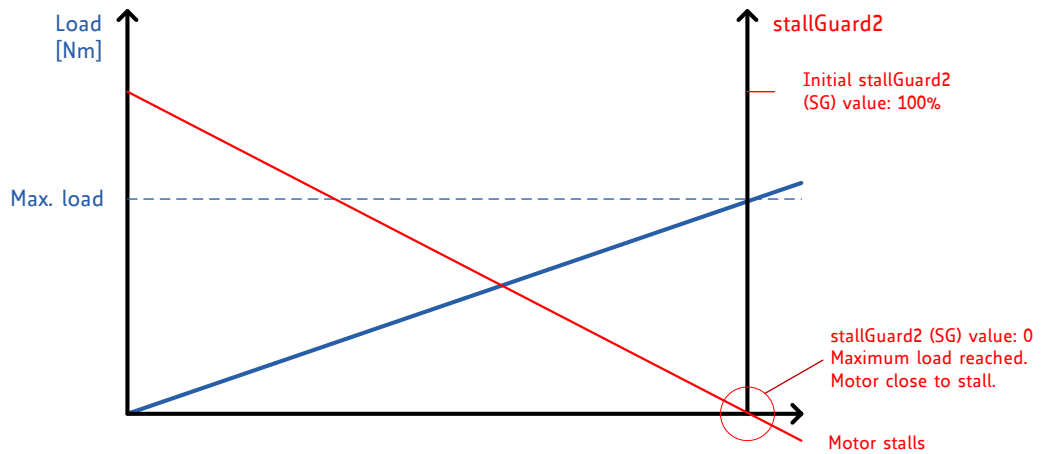
### Electrical and mechanical data

- Supply voltage: +24V DC nominal (9... 28V DC)
- Motor current: up to 0.7A RMS (programmable)
- 0.06 or 0.12Nm max. holding torque (depends on motor)

*Refer to separate TMCL Firmware Manual, too.*

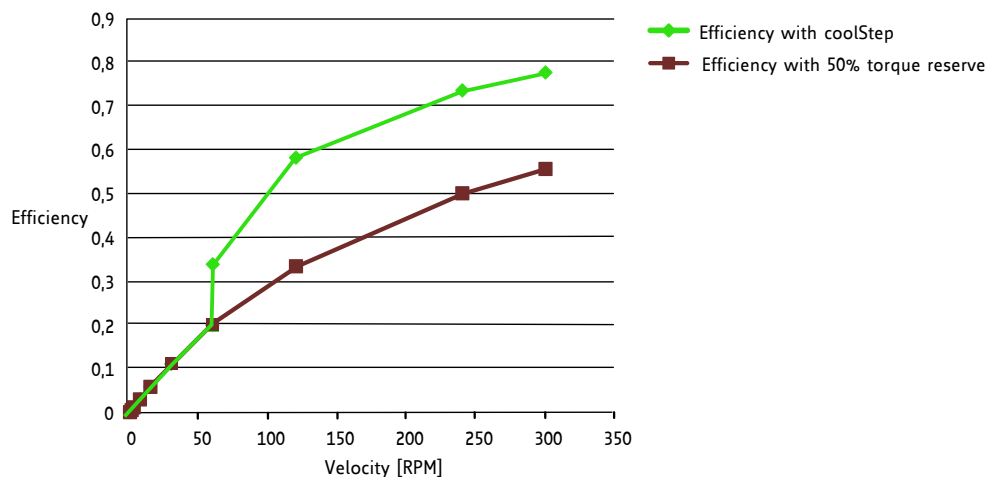
## TRINAMICS UNIQUE FEATURES – EASY TO USE WITH TMCL

**stallGuard2™** stallGuard2 is a high-precision sensorless load measurement using the back EMF on the coils. It can be used for stall detection as well as other uses at loads below those which stall the motor. The stallGuard2 measurement value changes linearly over a wide range of load, velocity, and current settings. At maximum motor load, the value goes to zero or near to zero. This is the most energy-efficient point of operation for the motor.



**Figure 1.1** stallGuard2 load measurement SG as a function of load

**coolStep™** coolStep is a load-adaptive automatic current scaling based on the load measurement via stallGuard2 adapting the required current to the load. Energy consumption can be reduced by as much as 75%. coolStep allows substantial energy savings, especially for motors which see varying loads or operate at a high duty cycle. Because a stepper motor application needs to work with a torque reserve of 30% to 50%, even a constant-load application allows significant energy savings because coolStep automatically enables torque reserve when required. Reducing power consumption keeps the system cooler, increases motor life, and allows reducing cost.



**Figure 1.2** Energy efficiency example with coolStep

## 2 Order Codes

The combination of motor and motor mounted controller/driver electronic is currently available with two stepper motors (different length and holding torque).

*The length of the PANdrives™ is specified without the length of the axis. For the overall length of the product please add 21 mm.*

| Order code                 | Description                                       | Size of unit [mm <sup>3</sup> ] |
|----------------------------|---|---------------------------------|
| PD28-1-1021- <i>option</i> | PANdrive 0.06Nm max. holding torque <sup>*)</sup> | 28 x 28 x 43 max.               |
| PD28-3-1021- <i>option</i> | PANdrive 0.12Nm max. holding torque <sup>*)</sup> | 28 x 28 x 62 max.               |

**Table 2.1 Order codes**

The following options are currently available:

| Firmware option | Description                              | Order code example:      |
|-----------------|--|--------------------------|
| -TMCL           | Module pre-programmed with TMCL firmware | PD28-1-1021- <i>TMCL</i> |

**Table 2.3 PD-1021 firmware options**

A cable loom set is available for this module:

| Order code    | Description   |
|---------------|---|
| PD-1021-CABLE | Cable loom for PD-1021<br>1x cable loom for power, communication and I/O connector (length 200mm) |

**Table 2.5 Cable loom order code**

### 3 Mechanical and Electrical Interfacing

The PD-1021 consists of a 28mm / NEMA 11 stepper motor with controller/driver electronics mounted to the back of the motor.

**Note:**

In order to make proper use of the integrated sensOstep encoder (the sensor IC is placed on the bottom of the pcb) the electronics should not be removed/moved relative to the motor. In case this encoder feature is not used, the electronics may be mounted according to different application requirements.

#### 3.1 Dimensions

Currently, there is a choice between two 28mm stepper motors of different lengths and different torques. The board with the controller/driver electronics has an overall size of 28mm x 28mm in order to fit on the back side of a NEMA11 (28mm flange size) stepper motor. The printed circuit board outline is marked green in the following figure.

Please also refer to the manuals of the related stepper motors QSH2818-32-07-006 and QSH2818-51-07-012.

##### 3.1.1 Dimensions of PD28-1-1021

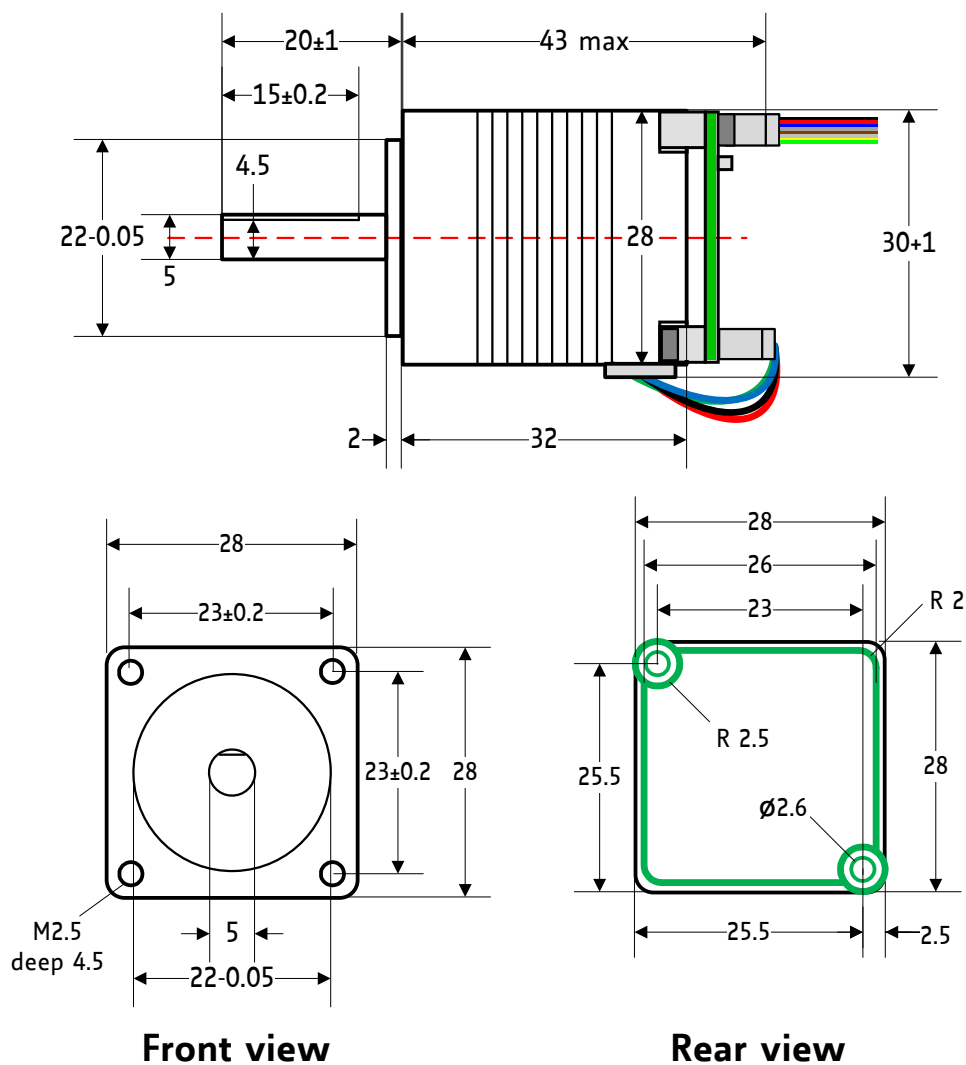


Figure 3.1 PD28-1-1021 dimensions

### 3.1.2 Dimensions of PD28-3-1021

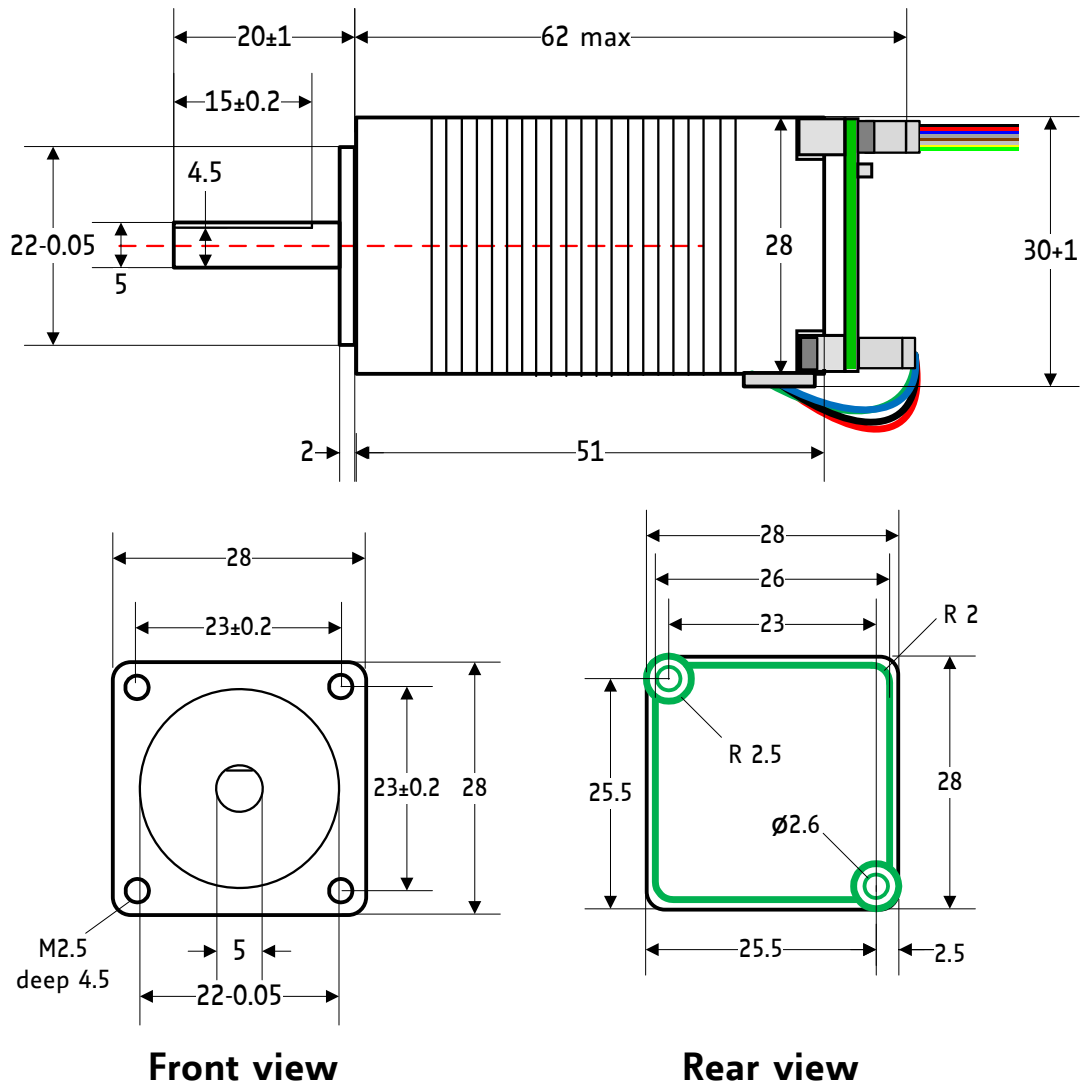


Figure 3.2 PD28-3-1021 with 2-phase 28mm stepper motor QSH2818-51-07-012

## 3.2 Motor Characteristics

Main characteristics of the two different motors available as part of the PD-1021:

| Specifications                                    | Parameter              | Units           | QSH2818     |             |
|---|------------------------|-----------------|-------------|-------------|
|   |                        |                 | -32-07-006  | -51-07-012  |
| Rated Voltage                                     | $V_{\text{RATED}}$     | V               | 3.8         | 6.2         |
| Rated Phase Current                               | $I_{\text{RMS RATED}}$ | A               | 0.67        | 0.67        |
| Phase Resistance at 20°C                          | $R_{\text{COIL}}$      | $\Omega$        | 5.6         | 9.2         |
| Phase Inductance (typ.)                           |                        | mH              | 3.4         | 7.2         |
| Holding Torque (typ.)                             |                        | Ncm             | 6           | 12          |
|   |                        | oz in           | 8.5         | 17.0        |
| Detent Torque                                     |                        | Ncm             |             |             |
| Rotor Inertia                                     |                        | $\text{g cm}^2$ | 9           | 18          |
| Weight (Mass)                                     |                        | Kg              | 0.11        | 0.2         |
| Insulation Class                                  |                        |                 | B           | B           |
| Insulation Resistance                             |                        | $\Omega$        | 100M        | 100M        |
| Dialectic Strength (for one minute)               |                        | VAC             | 500         | 500         |
| Connection Wires                                  |                        | N°              | 4           | 4           |
| Step Angle  |                        | °               | 1.8         | 1.8         |
| Step angle Accuracy (max.)                        |                        | %               | 5           | 5           |
| Flange Size (max.)                                |                        | mm              | 28.0        | 28.0        |
| Motor Length (max.)                               | $L_{\text{MAX}}$       | mm              | 32          | 51          |
| Axis Diameter                                     |                        | mm              | 5.0         | 5.0         |
| Axis Length (typ.)                                |                        | mm              | 20.0        | 20.0        |
| Shaft Radial Play (450g load)                     |                        | mm              | 0.02        | 0.02        |
| Shaft Axial Play (450g load)                      |                        | mm              | 0.08        | 0.08        |
| Maximum Radial Force<br>(20 mm from front flange) |                        | N               | 28          | 28          |
| Maximum Axial Force                               |                        | N               | 10          | 10          |
| Ambient Temperature                               |                        | °C              | -20...+50   | -20...+50   |
| Temp Rise (rated current, 2phase on)              |                        | °C              | max. 80     | max. 80     |
| Related PANdrive                                  |                        | type            | PD28-1-1021 | PD28-3-1021 |

**Table 3.1 NEMA 11 / 28mm technical motor data**



### 3.3 Connectors

The PD-1021 has two connectors, an 8-pin power and input/output connector and a 4-pin motor connector (used to connect the attached motor).

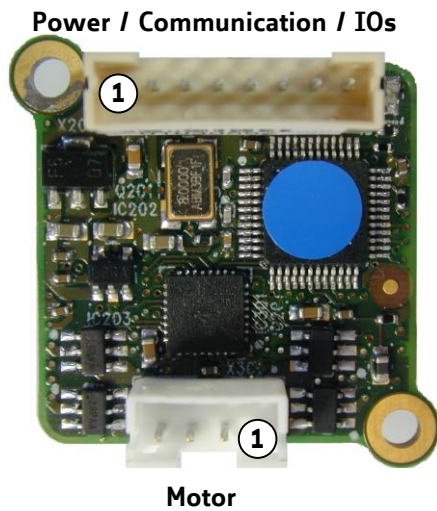


Figure 3.3 PD-1021 connectors

Overview of connector and mating connector types:

| Label                        | Connector type  | Mating connector types   |
|------------------------------|---|--|
| Power, communication and I/O | CI0108P1VK0-LF<br>CVIlux CI01 series, 8pins, 2mm pitch  | Connector housing CVIlux: CI01085000-A<br>Contacts CVIlux: CI01T011PE0-A<br><i>or</i><br>Connector housing JST: PHR-8<br>Contacts JST: SPH-002T-P0.5S<br>Wire: 0.22mm <sup>2</sup> |
| Motor                        | CI0104P1VK0-LF<br>CVIlux CI01 series, 4 pins, 2mm pitch | Connector housing CVIlux: CI01045000-A<br>Contacts CVIlux: CI01T011PE0-A<br><i>or</i><br>Connector housing JST: PHR-4<br>Contacts JST: SPH-002T-P0.5S<br>Wire: 0.22mm <sup>2</sup> |

Table 3.2 Connectors and mating connectors, contacts and applicable wire

### 3.3.1 Power, Communication and I/O Connector

An 8-pin CVIlux CI0108P1VK0-LF 2mm pitch single row connector is used for power supply, RS485 serial communication and additional multi-purpose inputs and outputs.

| Pin | Label        | Direction      | Description  |
|-----|--------------|----------------|--|
| 1   | GND          | Power (GND)    | GND  |
| 2   | VDD          | Power (Supply) | VDD (+9V...+28V)                                       |
| 3   | RS485+       | Bidirectional  | RS485 interface, diff. signal (non-inverting)          |
| 4   | RS485-       | Bidirectional  | RS485 interface, diff. signal (inverting)              |
| 5   | IN_0         | Input          | Digital input (+24V compatible)                        |
|     |              |                | Alternate function 1: step input                       |
|     |              |                | Alternate function 2: left stop switch                 |
| 6   | IN_1         | Input          | Digital input (+24V compatible)                        |
|     |              |                | Alternate function 1: direction input                  |
|     |              |                | Alternate function 2: right stop switch                |
| 7   | OUT_0 / IN_2 | Output / Input | Open drain output with freewheeling diode (max. 100mA) |
|     |              |                | Alternate function 1: digital input (+24V compatible)  |
|     |              |                | Alternate function 2: home switch                      |
| 8   | OUT_1 / IN_3 | Output / Input | Open drain output with freewheeling diode (max. 100mA) |
|     |              |                | Alternate function 1: digital input (+24V compatible)  |
|     |              |                | Alternate function 2: analog input                     |

**Table 3.3 Power, communication and I/O connector**

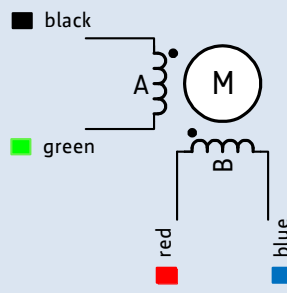
### 3.3.2 Motor Connector

A 4-pin CVIlux CI0104P1VK0-LF 2mm pitch single row connector is used for connecting the four motor wires to the electronics.

| Pin | Label | Direction | Description           |
|-----|-------|-----------|-----------------------|
| 1   | OB2   | Output    | Pin 2 of motor coil B |
| 2   | OB1   | Output    | Pin 1 of motor coil B |
| 3   | OA2   | Output    | Pin 2 of motor coil A |
| 4   | OA1   | Output    | Pin 1 of motor coil A |

Table 3.4 Motor connector

| PD-1021             | QSH2818 Motor |      |                    |
|---------------------|---------------|------|--------------------|
| Motor connector pin | Cable colour  | Coil | Description        |
| 1                   | Blue          | B-   | Motor coil B pin 2 |
| 2                   | Red           | B    | Motor coil B pin 1 |
| 3                   | Green         | A-   | Motor coil A pin 2 |
| 4                   | Black         | A    | Motor coil A pin 1 |



#### CAUTION!







#### **Keep the electronics free of (metal) particles!**

The integrated sensOstep™ encoder uses a magnet at the end of the motor axis in order to monitor position. The magnet naturally attracts especially tiny metal particles. These particles might be held on the top side of the PCB and even worse – start moving in accordance with the rotating magnetic field as soon as the motor starts moving. This might lead to shorts of electronic contacts / wires on the board and totally erratic behavior of the module! Use compressed air for cleaning the module if necessary.

### 3.4 Power Supply

For proper operation care has to be taken with regard to power supply concept and design. Due to space restrictions the PD-1021 includes just about 20 $\mu$ F/35V of supply filter capacitors. These are ceramic capacitors which have been selected for high reliability and long life time. The module includes a 28V suppressor diode for over-voltage protection.

#### CAUTION!

|   |  |
|---|--|
|    | <p><b>Add external power supply capacitors!</b></p> <p>It is recommended to connect an electrolytic capacitor of significant size (e.g. 470<math>\mu</math>F/35V) to the power supply lines next to the TMCM-1021!</p> <p>Rule of thumb for size of electrolytic capacitor: <math>c = 1000 \frac{\mu\text{F}}{\text{A}} \times I_{\text{SUPPLY}}</math></p> <p>In addition to power stabilization (buffer) and filtering this added capacitor will also reduce any voltage spikes which might otherwise occur from a combination of high inductance power supply wires and the ceramic capacitors. In addition it will limit slew-rate of power supply voltage at the module. The low ESR of ceramic-only filter capacitors may cause stability problems with some switching power supplies.</p> |
|    | <p><b>Do not connect or disconnect motor during operation!</b></p> <p>Motor cable and motor inductivity might lead to voltage spikes when the motor is disconnected / connected while energized. These voltage spikes might exceed voltage limits of the driver MOSFETs and might permanently damage them. Therefore, always disconnect power supply before connecting / disconnecting the motor.</p>  |
|   | <p><b>Keep the power supply voltage below the upper limit of 28V!</b></p> <p>Otherwise the driver electronics will seriously be damaged! Especially, when the selected operating voltage is near the upper limit a regulated power supply is highly recommended. Please see also chapter 6, operating values.</p>  |
|  | <p><b>There is no reverse polarity protection!</b></p> <p>The module will short any reversed supply voltage due to internal diodes of the driver transistors.</p>  |

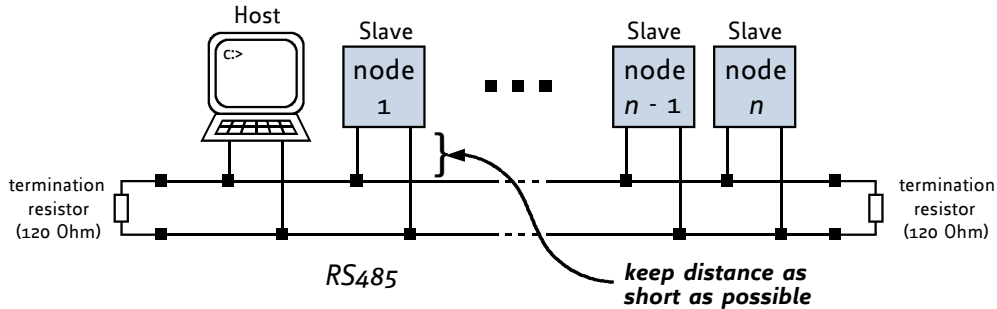
## 3.5 Communication

### 3.5.1 RS485

For remote control and communication with a host system the PD-1021 provides a two wire RS485 bus interface. For proper operation the following items should be taken into account when setting up an RS485 network:

1. **BUS STRUCTURE:**

The network topology should follow a bus structure as closely as possible. That is, the connection between each node and the bus itself should be as short as possible. Basically, it should be short compared to the length of the bus.



**Figure 3.5 Bus structure**

2. **BUS TERMINATION:**

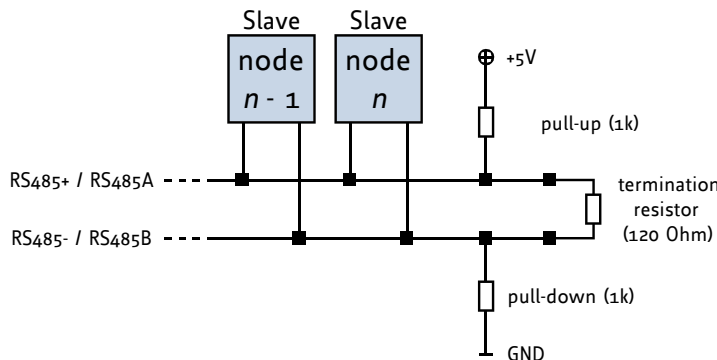
Especially for longer busses and/or multiple nodes connected to the bus and/or high communication speeds, the bus should be properly terminated at both ends. The PD-1021 does not integrate any termination resistor. Therefore, 120 Ohm termination resistors at both ends of the bus have to be added externally.

3. **NUMBER OF NODES:**

The RS485 electrical interface standard (EIA-485) allows up to 32 nodes to be connected to a single bus. The bus transceiver used on the PD-1021 units (SN65HVD3082ED) has just 1/8th of the standard bus load and allows a maximum of 256 units to be connected to a single RS485 bus.

4. **NO FLOATING BUS LINES:**

Avoid floating bus lines while neither the host/master nor one of the slaves along the bus line is transmitting data (all bus nodes switched to receive mode). Floating bus lines may lead to communication errors. In order to ensure valid signals on the bus it is recommended to use a resistor network connecting both bus lines to well defined logic levels. In contrast to the termination resistors this network is normally required just once per bus. Certain RS485 interface converters available for PCs already include these additional resistors (e.g. USB-2-485).



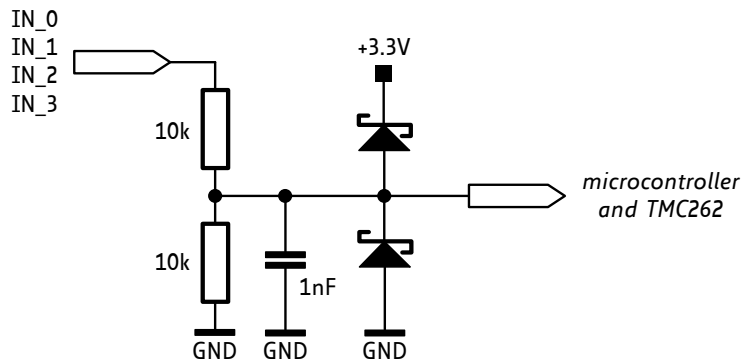
**Figure 3.6 Bus lines with resistor network**

## 3.6 Inputs and Outputs

### 3.6.1 Digital Inputs IN\_0, IN\_1, IN\_2, IN\_3

The eight pin connector of the PD-1021 provides four general purpose inputs IN\_0, IN\_1, IN\_2 and IN\_3. The first two inputs have dedicated connector pins while the other two share pins with two general purpose outputs.

All four inputs are protected using voltage resistor dividers together with limiting diodes against voltages below 0V (GND) and above +3.3V DC (see figure below).



**Figure 3.7 General purpose inputs**

The four inputs have alternate functionality depending on configuration in software. The following functions are available:

| Label<br>(connector pin) | Default Function | Alternate function 1  | Alternate function 2                           |
|--------------------------|------------------|---|--|
| IN_0 (5)                 | Digital input    | Step signal input<br>(connected to TMC262 step input)           | Left stop switch                               |
| IN_1 (6)                 | Digital input    | Direction signal input<br>(connected to TMC262 direction input) | Right stop switch                              |
| OUT_0 / IN_2 (7)         | Output           | Digital input   | Home switch                                    |
| OUT_1 / IN_3 (8)         | Output           | Digital input   | Analog input<br>(0... +6.6V, 12bit resolution) |

**Table 3.5 Multipurpose inputs / alternate functions**

All four inputs are connected to the on-board processor and can be used as general purpose digital inputs.

Using the alternate functionality of IN\_0 and IN\_1 it is possible to control the on-board stepper motor driver with the help of an external stepper motor controller using step and direction signals. For the step and direction signals the signal levels are the same as for the general purpose digital inputs.

IN\_3 can be used as analog input, also. A 12bit analog to digital converter integrated in the microcontroller will convert any analog input voltage between 0 and +6.6V to a digital value between 0 and 4095 then.

### 3.6.2 Outputs OUT\_0, OUT\_1

The eight pin connector of the PD-1021 provides two general purpose outputs. These two outputs are open-drain outputs and can sink up to 100mA each. The outputs of the N-channel MOSFET transistors are connected to freewheeling diodes each for protection against voltage spikes especially from inductive loads (relais etc.).

Both outputs OUT\_0 and OUT\_1 share pins with two of the four inputs (IN\_2 resp. IN\_3).

Please take into account the 20k (2x 10k in series) resistance to ground (transistor not active) of the input voltage divider (figure 4.8) when designing the external "load" circuit.

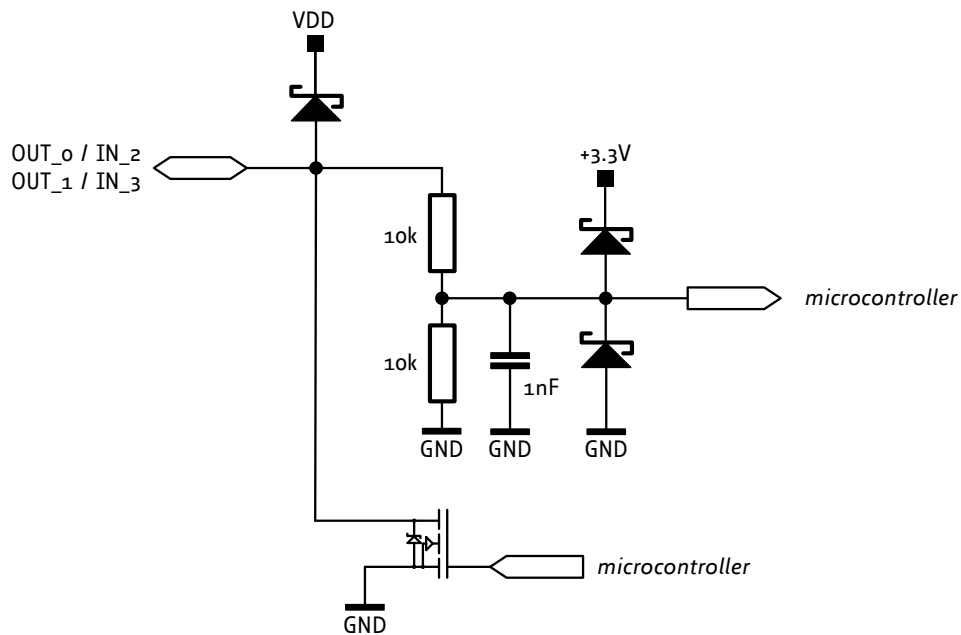


Figure 3.8 General purpose outputs

## 4 Reset to Factory Defaults

It is possible to reset the PD-1021 to factory default settings without establishing a communication link. This might be helpful in case communication parameters of the preferred interface have been set to unknown values or got accidentally lost.

For this procedure two pads on the bottom side of the board have to be shorted (see Figure 4.1).

Please perform the following steps:

1. Power supply off
2. Short two pads as marked in Figure 4.1
3. Power up board
4. Wait until the on-board green LED start flashing fast (this might take a while)
5. Power-off board (disconnect USB cable)
6. Remove short between pads
7. After switching on the power-supply all permanent settings have been restored to factory defaults

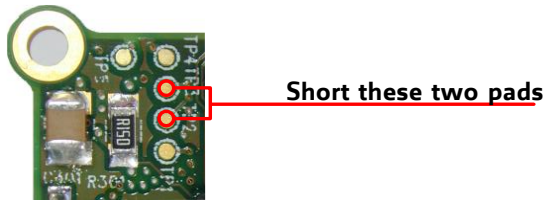


Figure 4.1 Reset to factory default settings

## 5 On-board LED

The board offers one LED in order to indicate board status. The function of the LED is dependent on the firmware version. With standard TMCL firmware the green LED flashes slowly during operation.

When there is no valid firmware programmed into the board or during firmware update the green LED is permanently on.

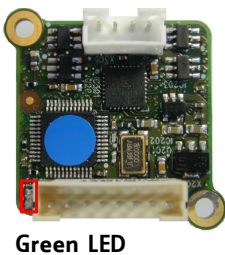


Figure 5.1 On-board LED



## 6 Operational Ratings

The operational ratings show the intended or the characteristic ranges and should be used as design values.

***In no case shall the maximum values be exceeded!***

| Symbol            | Parameter   | Min | Typ                  | Max                     | Unit |
|-------------------|---|-----|----------------------|-------------------------|------|
| VDD               | Power supply voltage for operation  | 9   | 12... 24             | 28                      | V    |
| I <sub>COIL</sub> | Motor coil current for sine wave <b>peak</b> (chopper regulated, adjustable via software) | 0   |                      | 1000*)                  | mA   |
| I <sub>MC</sub>   | Continuous motor current ( <b>RMS</b> )   | 0   |                      | 700*)                   | mA   |
| I <sub>S</sub>    | Power supply current  |     | << I <sub>COIL</sub> | 1.4 * I <sub>COIL</sub> | A    |
| T <sub>ENV</sub>  | Environment temperature at rated current (no forced cooling required)                     | -35 | tbd                  | +60                     | °C   |

**Table 6.1 General operational ratings of module**

\*) maximum setting for prototype and first versions of TMCL firmware. Will be adapted in firmware for series version.

| Symbol                            | Parameter   | Min | Typ | Max  | Unit |
|-----------------------------------|---|-----|-----|------|------|
| V <sub>OUT_0/1</sub>              | Voltage at open collector output                                    | 0   |     | +VDD | V    |
| I <sub>OUT_0/1</sub>              | Output sink current   |     |     | 100  | mA   |
| V <sub>IN_digital_0/1/2/3</sub>   | Input voltage for IN_0, IN_1, IN_2, IN_3 when used as digital input | 0   |     | +VDD | V    |
| V <sub>IN_digital_L_0/1/2/3</sub> | Low level voltage for GPIO and GPI1 when used as digital input      | 0   |     | 1.2  | V    |
| V <sub>IN_digital_H_0/1/2/3</sub> | High level voltage for GPIO and GPI1 when used as digital input     | 4   |     | +VDD | V    |
| V <sub>IN_analog_3</sub>          | Measurement range for IN_3 when used as analogue input              | 0   |     | +6.6 | V    |

**Table 6.2 Operational ratings of multipurpose I/Os**

| Symbol             | Parameter   | Min | Typ | Max | Unit |
|--------------------|---|-----|-----|-----|------|
| N <sub>RS485</sub> | Number of nodes connected to single RS485 network |     |     | 256 |      |

**Table 6.3 Operational ratings of RS485 interface**

## 7 Torque Curves

The following figures show the curve of each PANdrive.

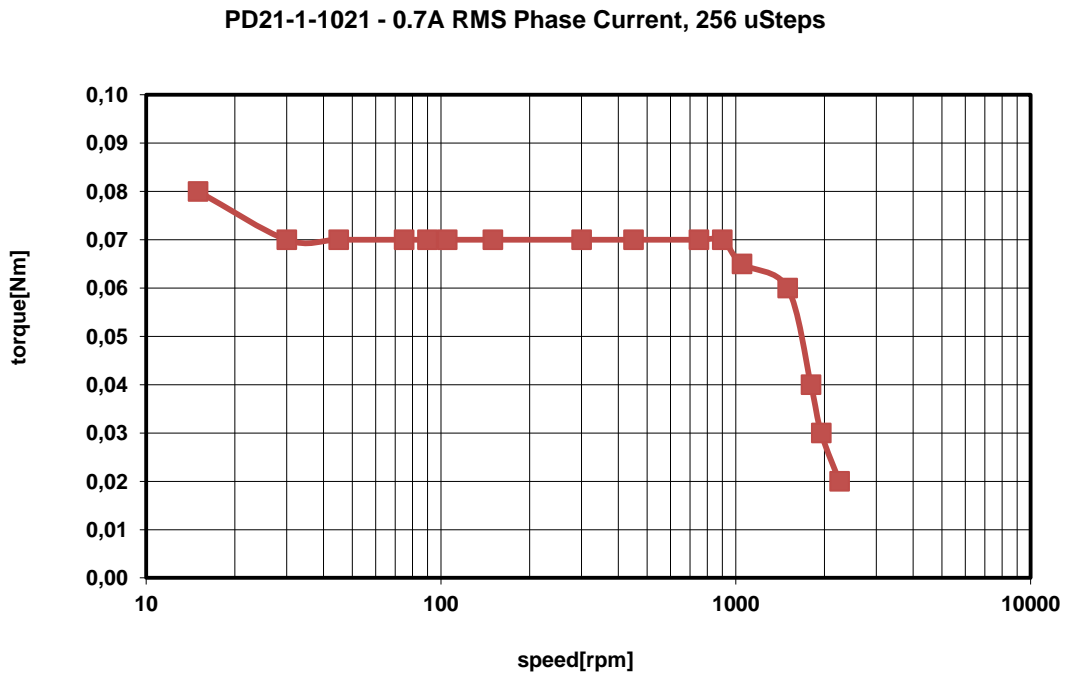


Figure 7.1 PD28-1-1021 torque vs. speed 24V / 0.7 A, 256  $\mu$ steps

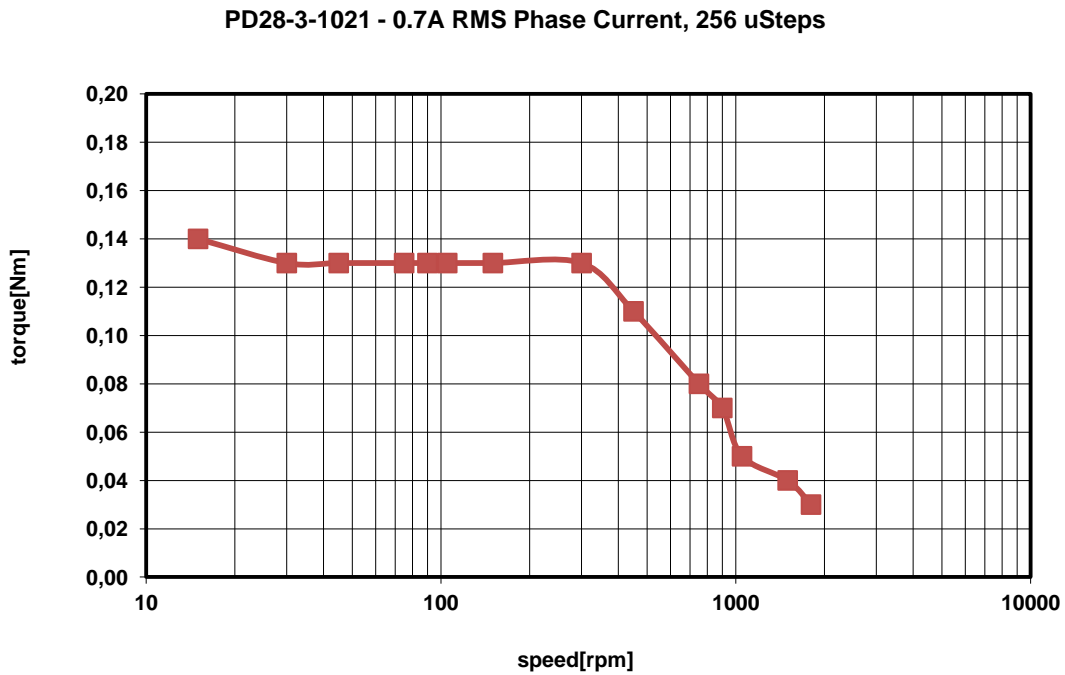


Figure 7.2 PD28-3-1021 torque vs. velocity 24V / 0.7 A, 256  $\mu$ steps

## 8 Functional description

The PD-1021 is a highly integrated mechatronic device which can be controlled via RS485 serial interface. Communication traffic is kept low since all time critical operations, e.g. ramp calculations are performed on board. Nominal supply voltage of the unit is 24V DC. The PANdrive is designed for both: direct mode and standalone operation. Full remote control of device with feedback is possible. The firmware of the module can be updated via any of the serial interfaces.

Figure 8.1 the main parts of the PD-1021 are shown:

- the microprocessor, which runs the TMCL operating system (connected to TMCL memory),
- the motion controller, which calculates ramps and speed profiles internally by hardware,
- the power driver with stallGuard2 and its energy efficient coolStep feature,
- the MOSFET driver stage,
- the QSH stepper motor, and
- the sensOstep encoder with resolutions of 10bit (1024 steps) per revolution.

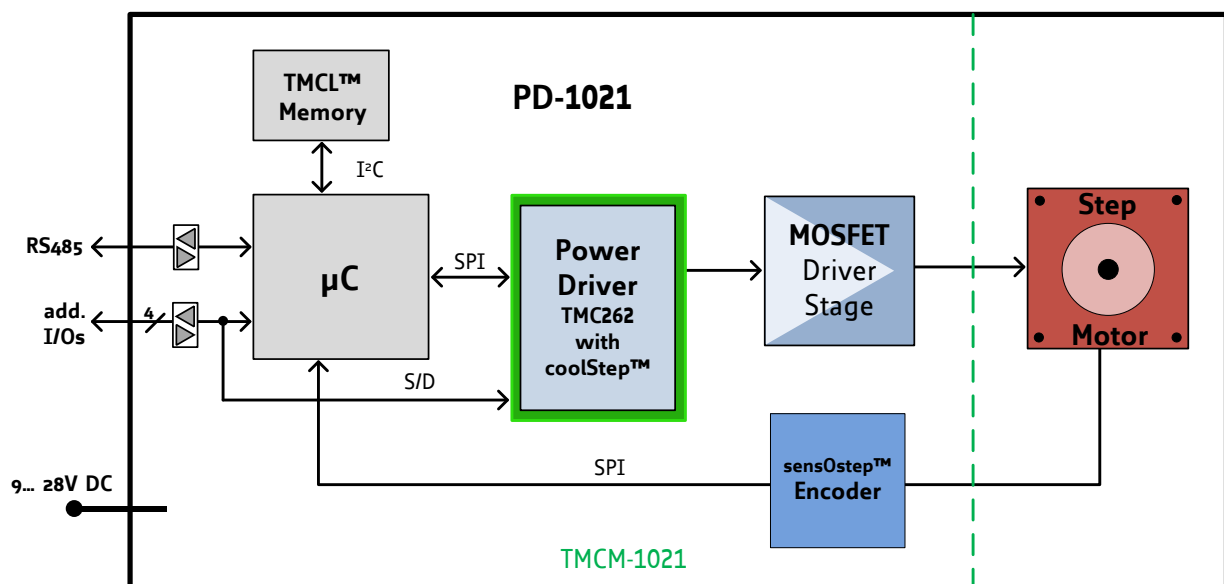


Figure 8.1: Main parts of PD-1021

The PD-1021 comes with the PC based software development environment TMCL-IDE for the Trinamic Motion Control Language (TMCL). Using predefined TMCL high level commands like *move to position* a rapid and fast development of motion control applications is guaranteed.

*Please refer to the PD-1021 Firmware Manual for more information about TMCL commands.*

## 9 Life Support Policy

TRINAMIC Motion Control GmbH & Co. KG does not authorize or warrant any of its products for use in life support systems, without the specific written consent of TRINAMIC Motion Control GmbH & Co. KG.

Life support systems are equipment intended to support or sustain life, and whose failure to perform, when properly used in accordance with instructions provided, can be reasonably expected to result in personal injury or death.

© TRINAMIC Motion Control GmbH & Co. KG 2013

Information given in this data sheet is believed to be accurate and reliable. However neither responsibility is assumed for the consequences of its use nor for any infringement of patents or other rights of third parties, which may result from its use.

Specifications are subject to change without notice.

All trademarks used are property of their respective owners.



## 10 Revision History

### 10.1 Document Revision

| Version | Date        | Author | Description  |
|---------|-------------|--------|--|
| 0.90    | 2011-AUG-02 | GE     | Initial version  |
| 0.91    | 2011-AUG-25 | SD     | Information about left, right, and home switch added. Minor changes  |
| 0.92    | 2011-NOV-10 | GE     | <ul style="list-style-type: none"> <li>- Motor connector corrected and motor connection added</li> <li>- General purpose output circuit extended</li> <li>- Hardware revision list updated</li> </ul>  |
| 1.00    | 2012-JUN-20 | SD     | <ul style="list-style-type: none"> <li>- Rule of thumb for capacitor added.</li> <li>- Design updated</li> <li>- Chapter 5 (on-board LED) new</li> <li>- Chapter 4 (reset to factory defaults) new</li> <li>- Torque curves added</li> </ul> |
| 1.01    | 2013-JUL-23 | SD     | <ul style="list-style-type: none"> <li>- Connector types updated.</li> <li>- Chapter 3.4 updated.</li> </ul>   |

Figure 10.1: Document revision

### 10.2 Hardware Revision

| Version       | Date        | Description  |
|---------------|-------------|--|
| TMCM-1021_V10 | 2011-JUL-11 | Initial version  |
| TMCM-1021_V11 | 2011-AUG-18 | <ul style="list-style-type: none"> <li>- TMC262 clock generation switched to internal clock</li> <li>- Encoder circuit corrected</li> <li>- LED added</li> </ul> |
| TMCM-1021_V12 | 2011-SEP-28 | <ul style="list-style-type: none"> <li>- LED moved to location near 8pin connector (version 1.2 is 100% firmware compatible with V1.1)</li> </ul>                |

Figure 10.2: Hardware revision

## 11 References

|                     |   |
|---------------------|---|
| [PD-1021]           | PD-1021 TMCL firmware manual  |
| [QSH2818-32-07-006] | NEMA11 / 28mm bipolar stepper motor used in PD1   |
| [QSH2818-51-07-012] | NEMA11 / 28mm bipolar stepper motor used in PD3   |
| [JST]               | JST PH connector (2.0mm pitch, disconnectable crimp style)<br><a href="http://www.jst.com">http://www.jst.com</a> |
| [USB-2-485]         | USB-2-485 interface converter manual  |
| [TMC262]            | TMC262 datasheet  |

TRINAMIC manuals are available on <http://www.trinamic.com>.