



## Main

|                                    |                                  |
|------------------------------------|----------------------------------|
| Range of Product                   | Telemecanique Cabling components |
| Accessory / separate part category | Cabling accessory                |
| Accessory / Separate Part Type     | Pre-wired connectors             |
| Series name                        | General purpose                  |

## Complementary

|                                |                                      |
|--------------------------------|--------------------------------------|
| Electrical connection          | Elbowed female connector M12, 3 pins |
| Cable connector fixing         | Screw-on                             |
| Collar material                | Metal                                |
| Status LED                     | 2 PNP LEDs                           |
| Cable length                   | 16.40 ft (5 m)                       |
| Cable outer diameter           | 0.20 in (5.2 mm)                     |
| Cable composition              | 3 x 0.34 mm <sup>2</sup>             |
| Wire insulation material       | PUR                                  |
| [Ue] rated operational voltage | 10...30 V DC                         |
| Line Rated Current             | 4 A                                  |
| Contact resistance             | 5000 μOhm                            |
| Minimum insulating resistance  | 1 GΩ                                 |
| Net Weight                     | 0.40 lb(US) (0.18 kg)                |

## Environment

|                                       |   |
|---------------------------------------|---|
| IP Degree of Protection               | IP65<br>IP67<br>IP69K   |
| Product Certifications                | cULus   |
| Ambient air temperature for operation | -40...176 °F (-40...80 °C) static<br>23...176 °F (-5...80 °C) flexing |
| Ambient Air Temperature for Storage   | -40...176 °F (-40...80 °C)  |

## Ordering and shipping details

|                       |                        |
|-----------------------|------------------------|
| Category              | 22483 - MACHINE CABLES |
| Discount Schedule     | DS3                    |
| GTIN                  | 3389110763249          |
| Nbr. of units in pkg. | 1                      |
| Package weight(Lbs)   | 4.59 oz (130 g)        |
| Returnability         | No                     |
| Country of origin     | CZ                     |

## Packing Units

|                              |                           |
|------------------------------|---------------------------|
| Unit Type of Package 1       | PCE                       |
| Package 1 Height             | 1.46 in (3.7 cm)          |
| Package 1 width              | 9.33 in (23.7 cm)         |
| Package 1 Length             | 7.48 in (19 cm)           |
| Unit Type of Package 2       | S02                       |
| Number of Units in Package 2 | 20                        |
| Package 2 Weight             | 6.52 lb(US) (2.958 kg)    |
| Package 2 Height             | 5.91 in (15 cm)           |
| Package 2 width              | 11.81 in (30 cm)          |
| Package 2 Length             | 15.75 in (40 cm)          |
| Unit Type of Package 3       | P06                       |
| Number of Units in Package 3 | 320                       |
| Package 3 Weight             | 123.08 lb(US) (55.828 kg) |
| Package 3 Height             | 30.31 in (77 cm)          |
| Package 3 width              | 31.50 in (80 cm)          |
| Package 3 Length             | 23.62 in (60 cm)          |

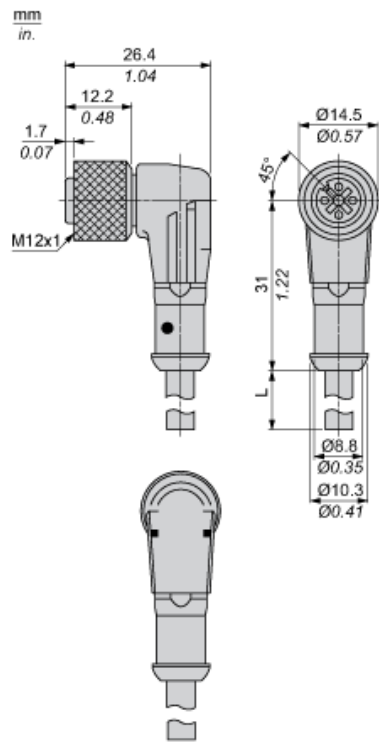
## Offer Sustainability

|                            |   |
|----------------------------|---|
| Sustainable offer status   | Green Premium product   |
| California proposition 65  | WARNING: This product can expose you to chemicals including: Diisononyl phthalate (DINP), which is known to the State of California to cause cancer, and Di-isodecyl phthalate (DIDP), which is known to the State of California to cause birth defects or other reproductive harm. For more information go to <a href="http://www.P65Warnings.ca.gov">www.P65Warnings.ca.gov</a> |
| REACH Regulation           | <a href="#">REACH Declaration</a>   |
| EU RoHS Directive          | Pro-active compliance (Product out of EU RoHS legal scope) <a href="#">EU RoHS Declaration</a>  |
| Mercury free               | Yes   |
| RoHS exemption information | <a href="#">Yes</a>   |
| Environmental Disclosure   | <a href="#">Product Environmental Profile</a>   |
| Circularity Profile        | <a href="#">End Of Life Information</a>   |

## Contractual warranty

|          |           |
|----------|-----------|
| Warranty | 18 months |
|----------|-----------|

Dimensions



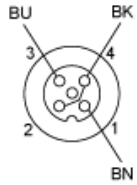
L : Length of cable

---

Connections and Schemes

---

Connector



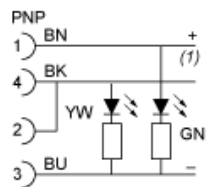
BN : Brown  
BK : Black  
BU : Blue

---

Connections and Schemes

---

LED Connection



BN : Brown  
BK : Black  
BU : Blue  
GN : Green  
YW : Yellow  
(1) Signal