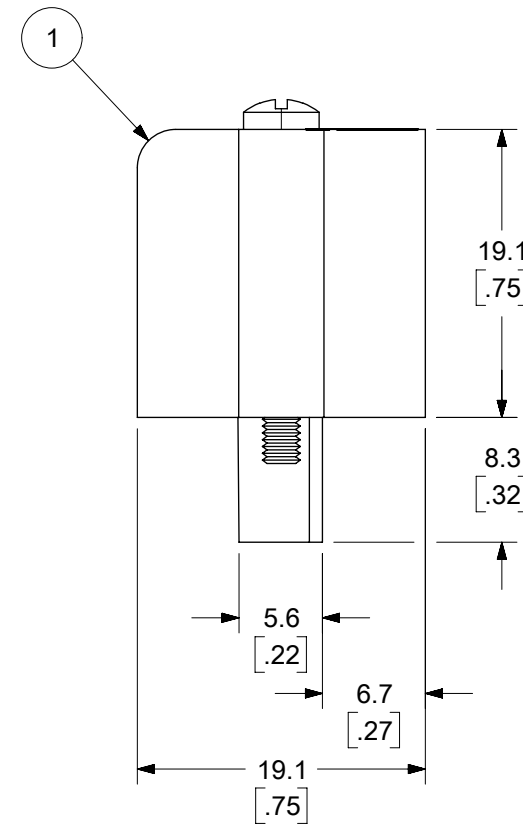


EVEN CIRCUIT, FWE ODD CIRCUIT, FWE

AUXILIARY VIEWS
SCALE 1:1



- NOTES:
1. MATERIAL: SEE TABLE
 2. FINISHES: SEE TABLE
 3. PRODUCT SPECIFICATION: NOT REQUIRED
 4. PACKAGING: NOT REQUIRED
 5. MATES WITH: MOST 5.08 (.200) PIN HEADERS
 6. "XX" REFERS TO THE QUANTITY OF CIRCUITS
 7. ROHS COMPLIANT

ODD CIRCUIT CONFIGURATION SHOWN

8	2	2	SCREW, MOUNTING, M2.5 X .450	STEEL	ZINC CHROMATE
7	XX	XX	SCREW, M3.5 X .280	STEEL	ZINC CHROMATE
6	XX	XX	NUT, M3.5, HEX	STEEL	ZINC CHROMATE
5	XX/2	(XX-1)/2	REAR ROW TERMINAL (-G30 OPT.)	PHOS. BRONZE	SELECTIVE GOLD
4	XX/2	(XX+1)/2	FRONT ROW TERMINAL (-G30 OPT.)	PHOS. BRONZE	SELECTIVE GOLD
3	XX/2	(XX-1)/2	REAR ROW TERMINAL	PHOS. BRONZE	HOT TIN DIP
2	XX/2	(XX+1)/2	FRONT ROW TERMINAL	PHOS. BRONZE	HOT TIN DIP
1	1	1	BARRIER	THERMOPLASTIC	BLACK
ITEM	QTY. (EVEN NO. OF CIRCUITS)	QTY. (ODD NO. OF CIRCUITS)	DESCRIPTION	MATERIAL	FINISH

THIS DRAWING CONTAINS INFORMATION THAT IS PROPRIETARY TO MOLEX ELECTRONIC TECHNOLOGIES, LLC AND SHOULD NOT BE USED WITHOUT WRITTEN PERMISSION

FUNCTIONAL SYMBOLS
 $\nabla_A = 0$
 $\nabla_E = 0$
 $\nabla_P = 0$

DIMENSION UNITS: MM/INCH
 SCALE: 2:1

GENERAL TOLERANCES (UNLESS SPECIFIED)
 4 PLACES ± .05 ± .005
 3 PLACES ± .03 ± .01
 2 PLACES ± 0.13 ± .01
 1 PLACE ± 0.3 ± .01
 0 PLACES ± .05 ± .01
 ANGULAR TOL ± 2°

DRAFT WHERE APPLICABLE MUST REMAIN WITHIN DIMENSIONS

THIRD ANGLE PROJECTION

DRAWING: B-SIZE
 SERIES: 39940

EC NO: 677615
 DRWN: ABENJAMINLW
 CHK'D: DACHAMMER
 APPR: JFMURPHY

2021/08/18
 2021/09/09
 2022/01/04

INITIAL REVISION:
 DRWN: CYORK
 APPR: grobertson

2004/03/18
 2004/03/19

DOCUMENT NUMBER: SD-39940-003
 DOC TYPE: PSD
 DOC PART: 001
 REVISION: G

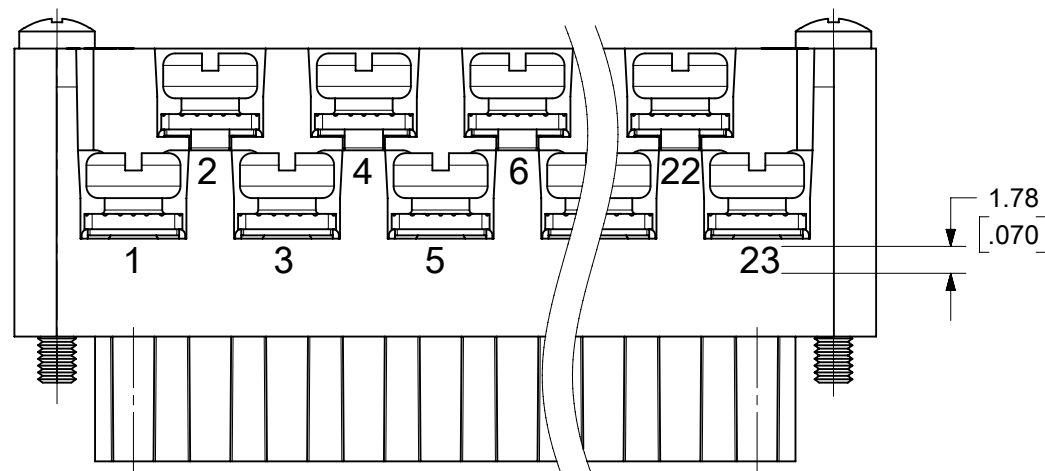
PRODUCT CUSTOMER DRAWING

MATERIAL NUMBER: SEE SHEET-2
 CUSTOMER: GENERAL MARKET
 SHEET NUMBER: 1 OF 2

molex

5.08/.200 PLUG ASSY, FWE
 WITH STD. MOUNTING ENDS

NO. OF CIRC. "XX"	DIM. "A"		DIM. "B"		DIM. "C"		DIM. "D" ^{+0.00} _{-0.25} [^{+0.00} _{-0.10}]		MATERIAL NO. (STANDARD)	MATERIAL NO. (-G30 OPT.)	MATERIAL NO. (-10A OPT.)
	mm	IN	mm	IN	mm	IN	mm	IN			
03	25.9	[1.02]	10.16	[.400]	20.32	[.800]	15.2	[.60]	399400503	399410503	399490026
04	31.0	[1.22]	15.24	[.600]	25.40	[1.000]	20.3	[.80]	399400504	399410504	
05	36.1	[1.42]	20.32	[.800]	30.48	[1.200]	25.4	[1.00]	399400505	399410505	
06	41.1	[1.62]	25.40	[1.000]	35.56	[1.400]	30.5	[1.20]	399400506	399410506	
07	46.2	[1.82]	30.48	[1.200]	40.64	[1.600]	35.6	[1.40]	399400507	399410507	
08	51.3	[2.02]	35.56	[1.400]	45.72	[1.800]	40.6	[1.60]	399400508	399410508	
09	56.4	[2.22]	40.64	[1.600]	50.80	[2.000]	45.7	[1.80]	399400509	399410509	
10	61.5	[2.42]	45.72	[1.800]	55.88	[2.200]	50.8	[2.00]	399400510	399410510	
11	66.5	[2.62]	50.80	[2.000]	60.96	[2.400]	55.9	[2.20]	399400511	399410511	
12	71.6	[2.82]	55.88	[2.200]	66.04	[2.600]	61.0	[2.40]	399400512	399410512	
13	76.7	[3.02]	60.96	[2.400]	71.12	[2.800]	66.0	[2.60]	399400513	399410513	
14	81.8	[3.22]	66.04	[2.600]	76.20	[3.000]	71.1	[2.80]	399400514	399410514	399490015
15	86.9	[3.42]	71.12	[2.800]	81.28	[3.200]	76.2	[3.00]	399400515	399410515	
16	91.9	[3.62]	76.20	[3.000]	86.36	[3.400]	81.3	[3.20]	399400516	399410516	399490027
17	97.0	[3.82]	81.28	[3.200]	91.44	[3.600]	86.4	[3.40]	399400517	399410517	
18	102.1	[4.02]	86.36	[3.400]	96.52	[3.800]	91.4	[3.60]	399400518	399410518	399490028
19	107.2	[4.22]	91.44	[3.600]	101.60	[4.000]	96.5	[3.80]	399400519	399410519	
20	112.3	[4.42]	96.52	[3.800]	106.68	[4.200]	101.6	[4.00]	399400520	399410520	
21	117.3	[4.62]	101.60	[4.000]	111.76	[4.400]	106.7	[4.20]	399400521	399410521	
22	122.4	[4.82]	106.68	[4.200]	116.84	[4.600]	111.8	[4.40]	399400522	399410522	
23	127.5	[5.02]	111.76	[4.400]	121.92	[4.800]	116.8	[4.60]	399400523	399410523	
24	132.6	[5.22]	116.84	[4.600]	127.00	[5.000]	121.9	[4.80]	399400524	399410524	



OPTIONAL
10A IMPRINTING
(ODD CIRCUIT CONFIGURATION SHOWN)

THIS DRAWING CONTAINS INFORMATION THAT IS PROPRIETARY TO MOLEX ELECTRONIC TECHNOLOGIES, LLC AND SHOULD NOT BE USED WITHOUT WRITTEN PERMISSION											
FUNCTIONAL SYMBOLS	DIMENSION UNITS		SCALE		CURRENT REV DESC: MIGRATED TO ECTR/NX. REMOVED "US PATENT" TEXT FROM MODEL						
$\nabla_A = 0$	MM/INCH		2:1		molex 5.08/.200 PLUG ASSY, FWE WITH STD. MOUNTING ENDS PRODUCT CUSTOMER DRAWING EC NO: 677615 DRWN: ABENJAMINLW 2021/08/18 CHK'D: DACHAMMER 2021/09/09 APPR: JFMURPHY 2022/01/04 INITIAL REVISION: DRWN: CYORK 2004/03/18 APPR: grobertson 2004/03/19						
$\nabla_E = 0$	GENERAL TOLERANCES (UNLESS SPECIFIED)										
$\nabla_V = 0$			MM	INCH							
DIVISIONAL SYMBOLS	4 PLACES	±	---	±							
	3 PLACES	±	---	±	.005						
	2 PLACES	±	0.13	±	.01						
	1 PLACE	±	0.3	±	---						
	0 PLACES	±	---	±	---						
	ANGULAR TOL		± 2°			DOCUMENT NUMBER: SD-39940-003 DOC TYPE: PSD DOC PART: 001 REVISION: G					
DRAFT WHERE APPLICABLE MUST REMAIN WITHIN DIMENSIONS			THIRD ANGLE PROJECTION		DRAWING	SERIES	MATERIAL NUMBER	CUSTOMER	SHEET NUMBER		
					B-SIZE	39940	SEE CHART	GENERAL MARKET	2 OF 2		