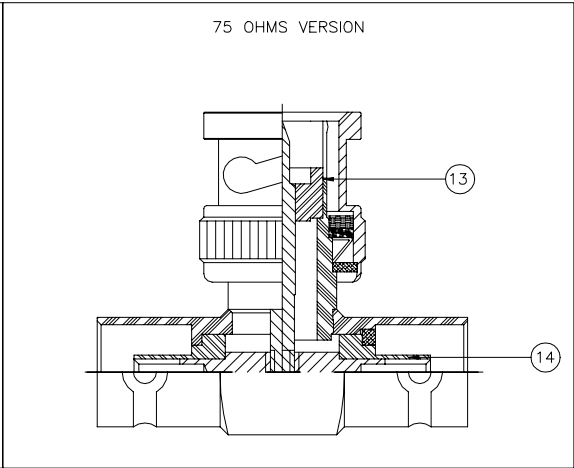
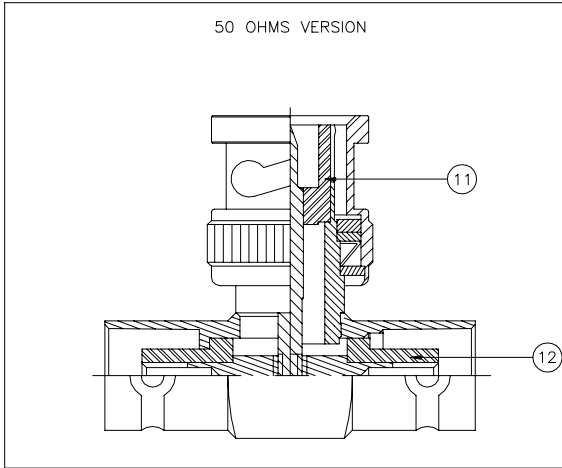
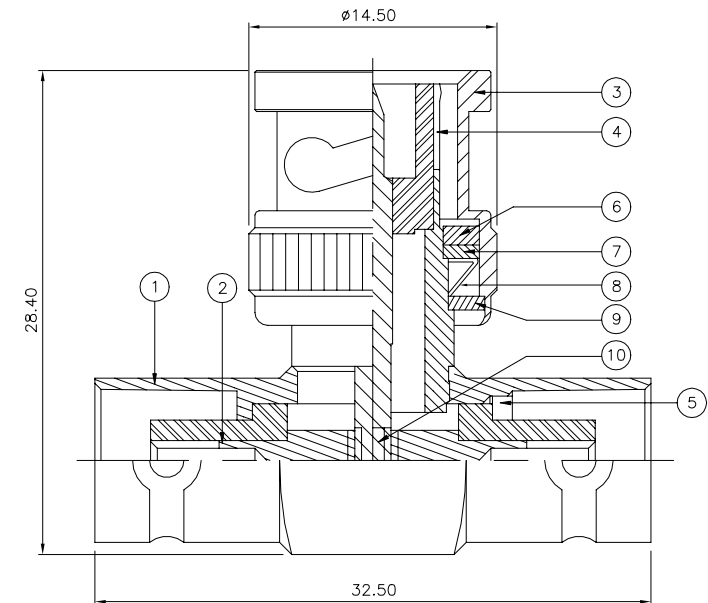


NOTES:

- 1 PACK IN ACCORDANCE WITH AMP SPEC 107-3275
- 2 100 TRAY PACK IN ACCORDANCE WITH AMP SPEC 107-3275
- 3 Au PLATING
- 4 Ni PLATING
- 5 THIS ITEM MUST BE WHITE
- 6 ELECTRICAL CHARACTERISTICS
 FREQUENCY RANGE (50 Ohms): DC - 4 GHz
 FREQUENCY RANGE (75 Ohms): DC - 2 GHz
 NOMINAL IMPEDANCE: 50 Ohm or 75 Ohm
 INSULATION RESISTANCE: 5000 MOhm
 WORKING VOLTAGE: 500 Volts RMS at Sea Level
 DIELECTRIC WITHSTAND VOLTAGE: 1500 Volts RMS Max
 CONTACT RESISTANCE:
 CENTRE CONTACT: 1.50 mOhm Max
 OUTER CONTACT: 0.20 mOhm Max
 VSWR @ xGHz: N/A
 INSERTION LOSS xdb: N/A
- 7 MECHANICAL CHARACTERISTICS
 COUPLING RETENTION FORCE: 445N Min
 CABLE RETENTION FORCE: N/A
 DURABILITY: 500 Cycles Min
- 8 ENVIRONMENTAL CHARACTERISTICS
 OPERATING TEMPERATURE: -65 to +165 DegC

REVISIONS					
P	LTR	DESCRIPTION	DATE	DWN	APVD
D1		REVISED PER ECO-20-016530	23NOV2020	RZ	RS



QTY	PLC	PLC	PLC	PLC	DESCRIPTION	ITEM
2	2	-	-		PTFE	INSULATION 14
1		-	-		PTFE	INSULATION 13
-	-	2	2		PTFE	INSULATION 12
-	-	1			PTFE	INSULATION 11
1		1			BRASS	CONTACT II 10
1		1			BRASS	WASHER 9
1		1			SPRING STEEL	SPRING 8
1		1			BRASS	RETAINING RING 7
1		1			SILICON RUBBER	GASKET 6
1		1			BRASS	SLEEVE 5
1		1			BRASS	BODY 2 4
1		1			BRASS	SHELL 3
1		1			BRASS	CONTACT I 2
1		1			BRASS	BODY 1 1
6--1	1--1	6--0	1--0		MATERIAL	DESCRIPTION ITEM
				QUANTITY PER ASSY	PARTS LIST	

THIS DRAWING IS A CONTROLLED DOCUMENT.		DWN J.SANDWELL 14DEC05	TE Connectivity																				
DIMENSIONS: mm		CHK S.PARLOW 14DEC05																					
TOLERANCES UNLESS OTHERWISE SPECIFIED:		APVD F.WHEELER-KING 14DEC05	NAME BNC TEE ADAPTOR J-P-J 50 OHM AND 75 OHM VERSIONS																				
<table border="1"> <tr><td>0 PLC</td><td>±</td><td>-</td></tr> <tr><td>1 PLC</td><td>±</td><td>-</td></tr> <tr><td>2 PLC</td><td>±</td><td>-</td></tr> <tr><td>3 PLC</td><td>±</td><td>-</td></tr> <tr><td>4 PLC</td><td>±</td><td>-</td></tr> <tr><td>ANGLES</td><td>±</td><td>-</td></tr> </table>		0 PLC	±	-	1 PLC	±	-	2 PLC	±	-	3 PLC	±	-	4 PLC	±	-	ANGLES	±	-	PRODUCT SPEC -	SIZE A3		
0 PLC	±	-																					
1 PLC	±	-																					
2 PLC	±	-																					
3 PLC	±	-																					
4 PLC	±	-																					
ANGLES	±	-																					
MATERIAL SEE TABLE		APPLICATION SPEC -	CAGE CODE 00779	DRAWING NO C=1337458	RESTRICTED TO -																		
FINISH -		WEIGHT 0.000000	SCALE NTS																				
		CUSTOMER DRAWING		SHEET 1 of 1	REV D1																		