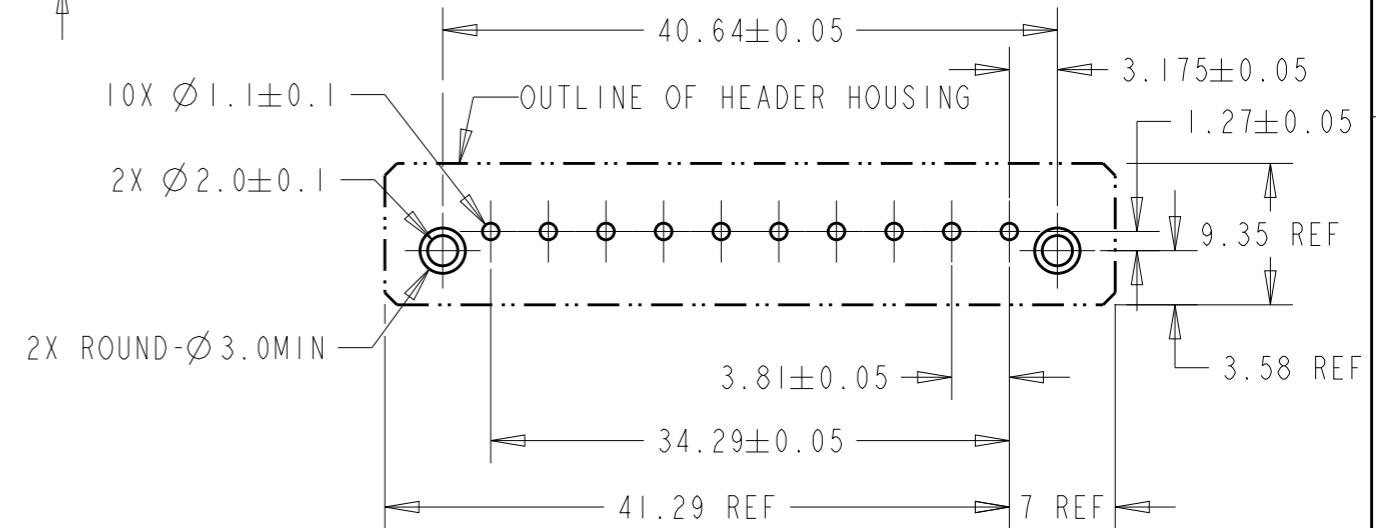
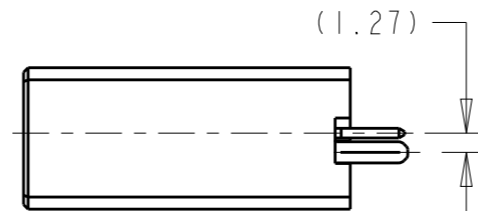
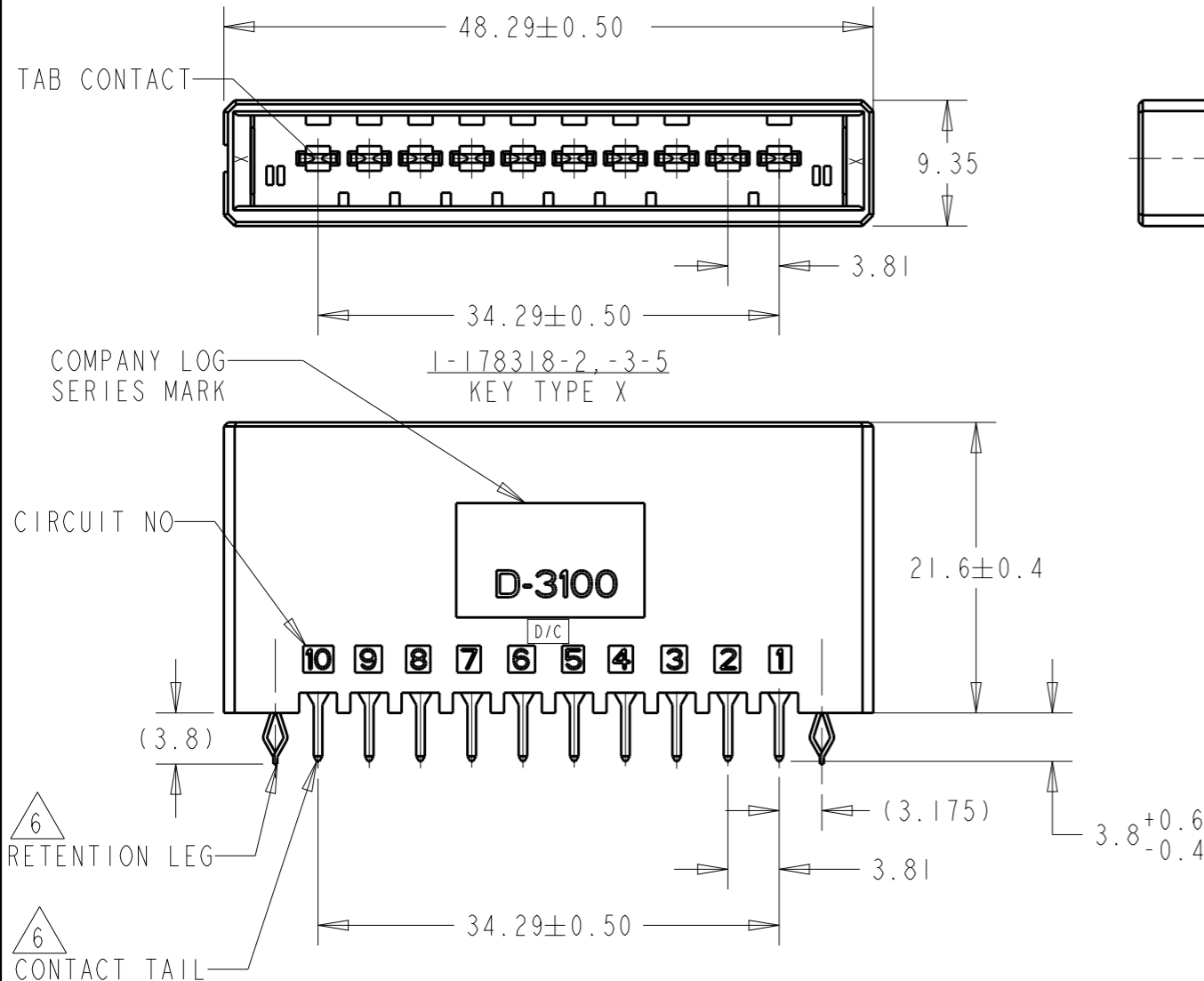
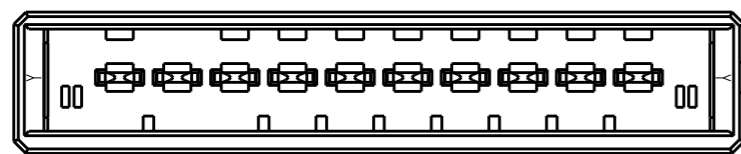


P	LTR	DESCRIPTION	DATE	DWN	APVD
D2		REVISED PER ECO-11-005030	24MAR2011	RK	HMR
E		REVISED PER ECR-20-003937	16MAR2020	T.S	E.I



RECOMEND PC BOARD HOLE PATTERN
PC BOARD THICKNESS: 1.6±0.1
(NOT ACCUMULATE TOLERANCE)
(CONNECTOR MOUNT SIDE)

- MATERIAL: HOUSING : GLASS FILED THERMO PLASTIC, POLYESTER
CONTACT: COPPER ALLOY
RETENTION LEG: COPPER ALLOY
- FINISH (CONTACT AREA): 0.38µm MIN GOLD PLATING OVER Ni PLATING.
- FINISH (CONTACT AREA): 0.76µm MIN GOLD PLATING OVER Ni PLATING.
- FINISH (CONTACT AREA): 2.0µm MIN TIN PLATED OVER NICKEL.
- NOTE DELETED
- FINISH (RETENTION LEG): TIN PLATED
(CONTACT TAIL) OVER NICKEL.
- OBSOLETE PARTS: OBSOLETE CIS STREAMLINING PER D.RENAUD/D.SINISI.



Y	△6 △4	2-178318-5	OBSOLETE △7
	△6 △3	2-178318-3	
	△6 △2	2-178318-2	
X	△6 △4	1-178318-5	
	△6 △3	1-178318-3	
	△6 △2	1-178318-2	
KEYING	FINISH	PART NO	

THIS DRAWING IS A CONTROLLED DOCUMENT.		DWN T. SHIMOYASU 16MAR2020	TE Connectivity	
DIMENSIONS: mm		CHK E. IKEMATSU 16MAR2020		
TOLERANCES UNLESS OTHERWISE SPECIFIED:		APVD E. IKEMATSU 16MAR2020	NAME 10POSN VERTICAL HEADER ASSEMBLY DYNAMIC D3100S	
		PRODUCT SPEC 108-5349	RESTRICTED TO	
MATERIAL		APPLICATION SPEC -	SIZE A3	CAGE CODE 00779
FINISH		WEIGHT -	DRAWING NO C-178318	REV E
CUSTOMER DRAWING			SCALE 2:1	SHEET 1 OF 1