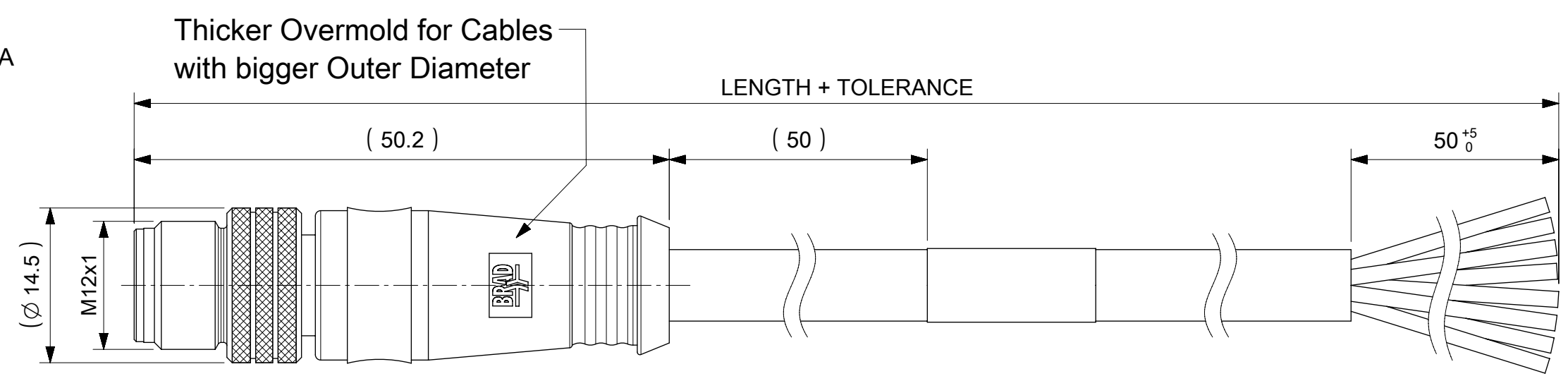
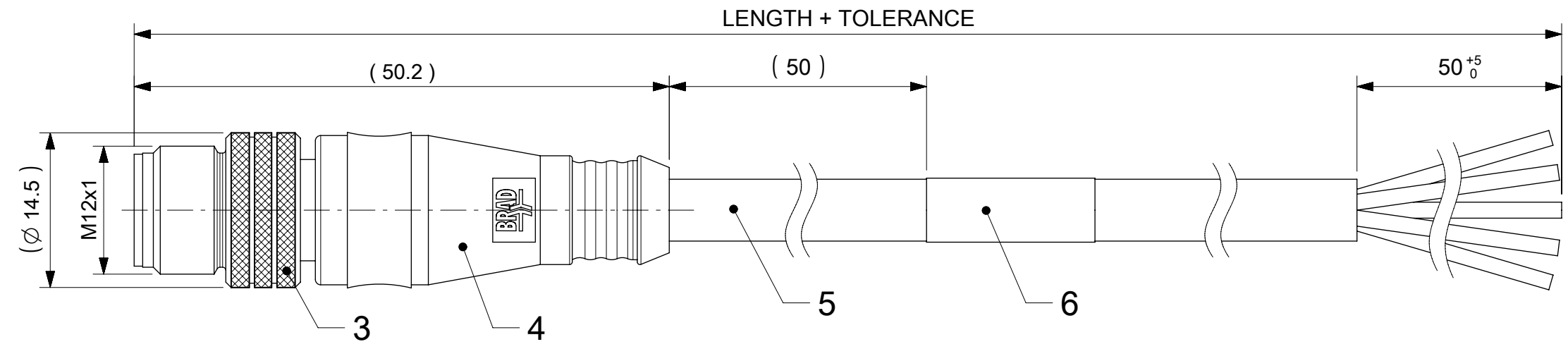
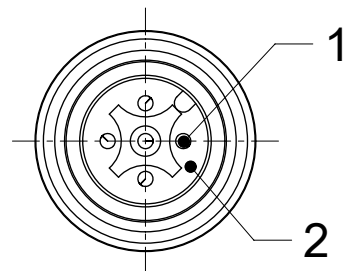
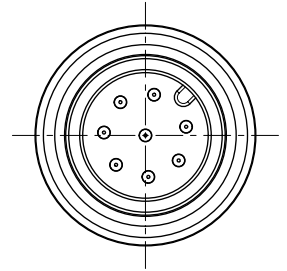


MALE PLUG M12 STRAIGHT



NOTES:

RATED VOLTAGE: 3, 4 contacts 250V
 5 contacts 60V
 8 contacts 30V
RATED CURRENT: 3, 4, 5 contacts 4A
 8 contacts 2A
PROTECTION CLASS: IP 67
TEMPERATURE: -25°C / +85°C



CONTACTS POSITION FRONT VIEW:

| 3 CONTACTS | | 4 CONTACTS | | 5 CONTACTS | | 8 CONTACTS | |
|------------|-------|------------|-------|------------|----------------------|------------|--------|
| | | | | | | | |
| PIN | WIRE | PIN | WIRE | PIN | WIRE | PIN | WIRE |
| 1 | BROWN | 1 | BROWN | 1 | BROWN | 1 | WHITE |
| 2 | --- | 2 | WHITE | 2 | WHITE | 2 | BROWN |
| 3 | BLUE | 3 | BLUE | 3 | BLUE | 3 | GREEN |
| 4 | BLACK | 4 | BLACK | 4 | BLACK | 4 | YELLOW |
| 5 | --- | 5 | --- | 5 | GREY OR GREEN/YELLOW | 5 | GREY |
| | | | | | | 6 | PINK |
| | | | | | | 7 | BLUE |
| | | | | | | 8 | RED |

CODING REQUIRED TO IEC 61076-2-101

FOR OPTIONS SEE - NUMERICAL CODE - ON SHEET 2

| 7 | 6 | 5 | 4 | 3 | 2 | 1 |
|-------------|--------------|-------------|-------------------|-------------------|-------------------|----------------------|
| SEE MATRIX | 1 | - | - | 1 | 1 | 3 / 4 / 5 / 8 |
| D CARRIER | LABEL YELLOW | CABLE | OVERMOLDING BLACK | COUPLING NUT MALE | INSERT MALE BLACK | CONTACT M12 MALE |
| PVC | VINYL | SEE SHEET 2 | TPU | BRASS | PUR | BRASS |
| TRANSPARENT | --- | --- | --- | NICKEL | --- | SELECTIVE Au OVER Ni |
| ITEM | QTY. | DESCRIPTION | MATERIAL | FINISH | | |

THIS DRAWING CONTAINS INFORMATION THAT IS PROPRIETARY TO MOLEX ELECTRONIC TECHNOLOGIES, LLC AND SHOULD NOT BE USED WITHOUT WRITTEN PERMISSION

FUNCTIONAL SYMBOLS: $\nabla_A = 0$, $\nabla_E = 0$, $\nabla_V = 0$

DIMENSION UNITS: mm | SCALE: 2:1

GENERAL TOLERANCES (UNLESS SPECIFIED): ANGULAR TOL ± 1.0°

DIVISIONAL SYMBOLS: 4 PLACES ±, 3 PLACES ±, 2 PLACES ± 0.05, 1 PLACE ± 0.3, 0 PLACES ± 0.5

DRAFT WHERE APPLICABLE MUST REMAIN WITHIN DIMENSIONS

THIRD ANGLE PROJECTION

DRAWING: A3-SIZE | SERIES: 120065 | MATERIAL NUMBER: SEE TABLE | CUSTOMER: GENERAL MARKET | SHEET NUMBER: 1 OF 4

EC NO: 703046 | DRWN: APAWLAK01 | 2022/04/12 | CHK'D: RSILLER | 2022/04/14 | APPR: RSILLER | 2022/04/14

INITIAL REVISION: DRWN: JMARSZALEK | 2016/01/12 | APPR: RSILLER | 2016/04/08

DOCUMENT NUMBER: 1200659185 | DOC TYPE: PSD | DOC PART: 000 | REVISION: A10

molex

CSE M12 XP AC MA STR XM SE UNSH

PRODUCT CUSTOMER DRAWING

ENGINEERING NO. - NUMERICAL CODE (Available parts see PART LIST table. Others on request).

8 0 X 0 0 6 X X X X X X X X

OPTIONS

80=M12x1 Single ended

Contacts:
3=3 Contacts
4=4 Contacts
5=5 Contacts
8=8 Contacts

Heads style:
006=Plug Male Straight

Cable type: See Table

Units:
M=Meter

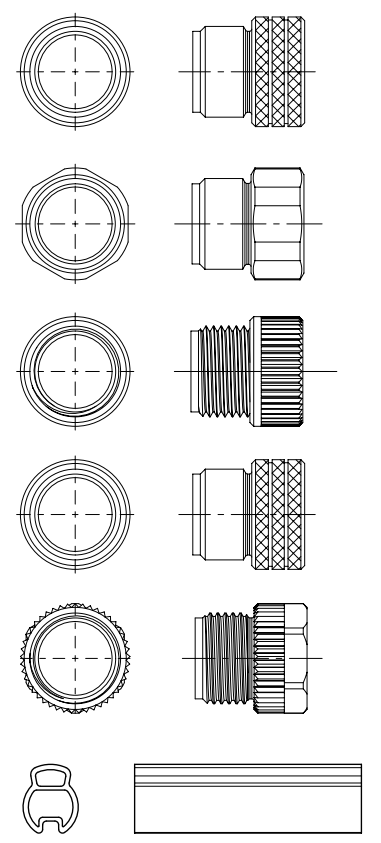
Length
Examples:
005=0.5 unit
010=1 unit
100=10 units

Overmold color:
Blank (Standard)=Black
A=Grey / G=Black / Y=Yellow
For Cable A09=Yellow

Coupling Nut:
Blank (Standard) & 3=Knurled Brass Ni Plated
1 or 8=Hexagonal Stainless steel
5=Knurled Derlin
7=Knurled Brass Ni Plated, Teflon Coated
Blank=7 for cables I20, I26, K03, K05, P82, S26
9=Knurled / Hexagonal Brass Ni Plated

H= 2 pcs. of I/D Carrier PVC Transparent

COUPLING NUTS

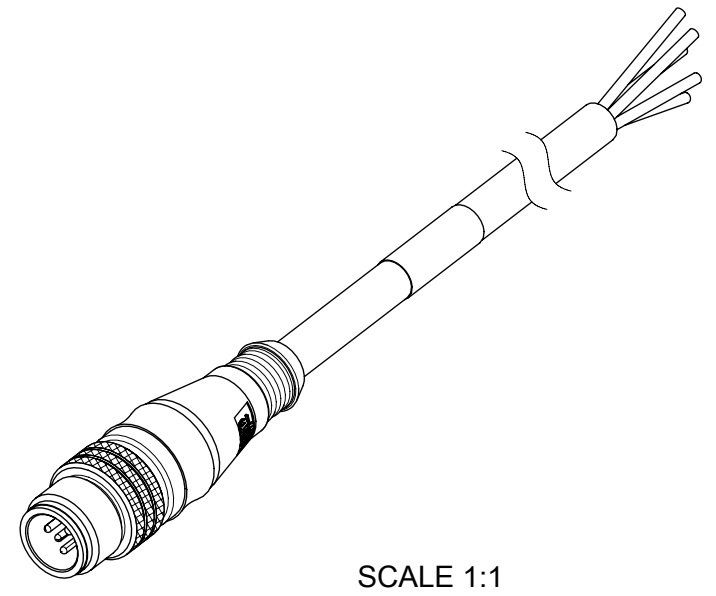


CABLE INFORMATION (for more information see Cable Data Sheet).

| CABLE TYPE | NO. OF WIRES | CROSS SECTION | CABLE JACKET | UL | CSA | STATIC: TEMP. / BENDING RADIUS | DYNAMIC: TEMP. / BENDING RADIUS | DRAG CHAIN | SHIELD |
|------------|---------------|---------------------|-----------------|----------------|--------------------------|--------------------------------|---------------------------------|---|--------|
| E02 | 3 / 4 / 5 / 8 | 0.25mm ² | PVC BLACK | UL 2464/1729 | C22.2 I/II A/B 80°C/300V | -30°C to +80°C, 10xO.D. | -10°C to +80°C, 15xO.D. | - | - |
| E03 | 3 / 4 / 5 | 0.34mm ² | PVC BLACK | UL 2464/1729 | C22.2 I/II A/B 80°C/300V | -30°C to +80°C, 10xO.D. | -10°C to +80°C, 15xO.D. | - | - |
| H08 | 3 / 4 / 5 / 8 | 0.25mm ² | PUR BLACK LS0H | UL 21198/10493 | C22.2 I/II A/B 80°C/300V | -40°C to +80°C, 5xO.D. | -25°C to +80°C, 10xO.D. | 2 000 000 cycles at 20°C, Temp. range +5°C to +60°C | - |
| H09 | 3 / 4 / 5 | 0.34mm ² | PUR BLACK LS0H | UL 21198/10493 | C22.2 I/II A/B 80°C/300V | -40°C to +80°C, 5xO.D. | -25°C to +80°C, 10xO.D. | 2 000 000 cycles at 20°C, Temp. range +5°C to +60°C | - |
| P02 | 3 / 4 / 5 / 8 | 0.25mm ² | PUR / PVC BLACK | - | - | -30°C to +80°C, 7xO.D. | -5°C to +80°C, 15xO.D. | - | - |
| P03 | 3 / 4 / 5 | 0.34mm ² | PUR / PVC BLACK | - | - | -30°C to +80°C, 7xO.D. | -5°C to +80°C, 15xO.D. | - | - |
| A09 | 3 | 0.34mm ² | PVC YELLOW | - | - | - | - | - | - |
| K03 | 5 | 0.82mm ² | TPE YELLOW | - | - | - | - | - | - |
| K05 | 4 | 0.38mm ² | TPE YELLOW | - | - | - | - | - | - |

CABLE LENGTH TOLERANCES

| OVER | UP TO AND INCLUDING | TOLERANCES |
|---------|---------------------|------------------------|
| 0 | 305mm | +19mm |
| 305mm | 915mm | +45mm |
| 915mm | 1830mm | +56mm |
| 1830mm | 3660mm | +89mm |
| 3660mm | 7320mm | +165mm |
| 7320mm | 14640mm | +317mm |
| 14640mm | 30500mm | +610mm |
| 30500mm | > | +2% of finished length |



SCALE 1:1

| FUNCTIONAL SYMBOLS | THIS DRAWING CONTAINS INFORMATION THAT IS PROPRIETARY TO MOLEX ELECTRONIC TECHNOLOGIES, LLC AND SHOULD NOT BE USED WITHOUT WRITTEN PERMISSION | CURRENT REV DESC: | | molex | | | | | | | | | | | | | | | | | | | | | | | | | | |
|--|---|--------------------------------------|--------------------------|------------------------------|----------------------------|----------------|----|-----|----------------|---------------------------------------|--|----------------|-----------------------------|--|--|----------|-------|--|----------|-------|--|----------|------------|--|---------|-----------|--|----------|-----------|--|
| | <table border="1"> <tr> <th>FUNCTIONAL SYMBOLS</th> <th>DIMENSION UNITS</th> <th>SCALE</th> </tr> <tr> <td>$\nabla_A = 0$</td> <td>mm</td> <td>1:1</td> </tr> <tr> <td>$\nabla_E = 0$</td> <td colspan="2">GENERAL TOLERANCES (UNLESS SPECIFIED)</td> </tr> <tr> <td>$\nabla_V = 0$</td> <td colspan="2">ANGULAR TOL $\pm 1.0^\circ$</td> </tr> <tr> <td></td> <td>4 PLACES</td> <td>\pm</td> </tr> <tr> <td></td> <td>3 PLACES</td> <td>\pm</td> </tr> <tr> <td></td> <td>2 PLACES</td> <td>± 0.05</td> </tr> <tr> <td></td> <td>1 PLACE</td> <td>± 0.3</td> </tr> <tr> <td></td> <td>0 PLACES</td> <td>± 0.5</td> </tr> </table> | FUNCTIONAL SYMBOLS | DIMENSION UNITS | | SCALE | $\nabla_A = 0$ | mm | 1:1 | $\nabla_E = 0$ | GENERAL TOLERANCES (UNLESS SPECIFIED) | | $\nabla_V = 0$ | ANGULAR TOL $\pm 1.0^\circ$ | | | 4 PLACES | \pm | | 3 PLACES | \pm | | 2 PLACES | ± 0.05 | | 1 PLACE | ± 0.3 | | 0 PLACES | ± 0.5 | EC NO: 703046 DRWN: APAWLAK01 2022/04/12 CHK'D: RSILLER 2022/04/14 APPR: RSILLER 2022/04/14 |
| FUNCTIONAL SYMBOLS | DIMENSION UNITS | SCALE | | | | | | | | | | | | | | | | | | | | | | | | | | | | |
| $\nabla_A = 0$ | mm | 1:1 | | | | | | | | | | | | | | | | | | | | | | | | | | | | |
| $\nabla_E = 0$ | GENERAL TOLERANCES (UNLESS SPECIFIED) | | | | | | | | | | | | | | | | | | | | | | | | | | | | | |
| $\nabla_V = 0$ | ANGULAR TOL $\pm 1.0^\circ$ | | | | | | | | | | | | | | | | | | | | | | | | | | | | | |
| | 4 PLACES | \pm | | | | | | | | | | | | | | | | | | | | | | | | | | | | |
| | 3 PLACES | \pm | | | | | | | | | | | | | | | | | | | | | | | | | | | | |
| | 2 PLACES | ± 0.05 | | | | | | | | | | | | | | | | | | | | | | | | | | | | |
| | 1 PLACE | ± 0.3 | | | | | | | | | | | | | | | | | | | | | | | | | | | | |
| | 0 PLACES | ± 0.5 | | | | | | | | | | | | | | | | | | | | | | | | | | | | |
| DIVISIONAL SYMBOLS | DRAFT WHERE APPLICABLE MUST REMAIN WITHIN DIMENSIONS | | PRODUCT CUSTOMER DRAWING | | | | | | | | | | | | | | | | | | | | | | | | | | | |
| INITIAL REVISION: DRWN: JMARSZALEK 2016/01/12 APPR: RSILLER 2016/04/08 | | DOCUMENT NUMBER 1200659185 | DOC TYPE PSD | DOC PART 000 | REVISION A10 | | | | | | | | | | | | | | | | | | | | | | | | | |
| THIRD ANGLE PROJECTION | | DRAWING A3-SIZE | SERIES 120065 | MATERIAL NUMBER SEE TABLE | CUSTOMER GENERAL MARKET | | | | | | | | | | | | | | | | | | | | | | | | | |
| | | SHEET NUMBER 2 OF 4 | | | | | | | | | | | | | | | | | | | | | | | | | | | | |

PART LIST

| No. | Part No. | Engineering No. | Cable Length |
|-----|------------|------------------|--------------|
| 1 | 1200060046 | 804006E03M120 | 12m |
| 2 | 1200060047 | 804006P03M050 | 5m |
| 3 | 1200060240 | 803006E03M020 | 2m |
| 4 | 1200060241 | 803006E03M050 | 5m |
| 5 | 1200060242 | 803006E03M100 | 10m |
| 6 | 1200060256 | 803006P03M002 | 0.2m |
| 7 | 1200060257 | 803006P03M020 | 2m |
| 8 | 1200060260 | 803006P03M030 | 3m |
| 9 | 1200060261 | 803006P03M050 | 5m |
| 10 | 1200060558 | 804006E03M006 | 0.6m |
| 11 | 1200060559 | 804006E03M010 | 1m |
| 12 | 1200060560 | 804006E03M020 | 2m |
| 13 | 1200060561 | 804006E03M030 | 3m |
| 14 | 1200060562 | 804006E03M050 | 5m |
| 15 | 1200060563 | 804006E03M100 | 10m |
| 16 | 1200060570 | 804006P03M020 | 2m |
| 17 | 1200060571 | 804006P03M030 | 3m |
| 18 | 1200060572 | 804006P03M100 | 10m |
| 19 | 1200060667 | 805006E03M020 | 2m |
| 20 | 1200060668 | 805006E03M030 | 3m |
| 21 | 1200060680 | 805006P03M020 | 2m |
| 22 | 1200060682 | 805006P03M050 | 5m |
| 23 | 1200061345 | 805006E03M050 | 5m |
| 24 | 1200061611 | 803006E03M150 | 15m |
| 25 | 1200061633 | 804006P03M010 | 1m |
| 26 | 1200061853 | 803006P03M010 | 1m |
| 27 | 1200061855 | 804006P03M006 | 0.6m |
| 28 | 1200062017 | 803006E03M030 | 3m |
| 29 | 1200062082 | 805006P03M060 | 6m |
| 30 | 1200062122 | 804006E03M0201 * | 2m |
| 31 | 1200062209 | 805006E03M100 | 10m |
| 32 | 1200062351 | 803006E03M0505 | 5m |
| 33 | 1200062352 | 803006E03M1005 | 10m |
| 34 | 1200062426 | 804006E03M200 | 20m |
| 35 | 1200062560 | 808006P02M005 | 0.5m |

| No. | Part No. | Engineering No. | Cable Length |
|-----|------------|-------------------|--------------|
| 36 | 1200062596 | 805006E03M003 | 0.3m |
| 37 | 1200062631 | 805006P03M120 | 12m |
| 38 | 1200062799 | 805006E03M010 | 1m |
| 39 | 1200062830 | 804006E03M0205 | 2m |
| 40 | 1200062877 | 804006E03M0505 | 5m |
| 41 | 1200062920 | 804006E03M1005 | 10m |
| 42 | 1200063018 | 803006P03M0303 | 3m |
| 43 | 1200063077 | 804006E02M005 | 0.5m |
| 44 | 1200063470 | 804006E03M010H | 1m |
| 45 | 1200063472 | 804006P03M200 | 20m |
| 46 | 1200063731 | 805006P03M0065 | 0.6m |
| 47 | 1200063732 | 804006E03M0501 | 5m |
| 48 | 1200063733 | 804006E03M1001 * | 10m |
| 49 | 1200063856 | 804006E03M1501 * | 15m |
| 50 | 1200063941 | 804006P03M0401 | 4m |
| 51 | 1200063953 | 805006E03M035 | 3.5m |
| 52 | 1200063969 | 804006E03M2001 ** | 20m |
| 53 | 1200064160 | 803006P03M005 | 0.5m |
| 54 | 1200064231 | 804006E03M2501 * | 25m |
| 55 | 1200064240 | 804006P03M070 | 7m |
| 56 | 1200064251 | 804006E03M003 | 0.3m |
| 57 | 1200064252 | 804006E03M005 | 0.5m |
| 58 | 1200064261 | 804006P03M011 | 1.1m |
| 59 | 1200064347 | 804006P03M007 | 0.7m |
| 60 | 1200064353 | 803006E03M003 | 0.3m |
| 61 | 1200064393 | 804006P03M020G | 2m |
| 62 | 1200064464 | 803006P03M005G | 0.5m |
| 63 | 1200065002 | 805006P03M0201 | 2m |
| 64 | 1200650964 | 808006P02M020 | 2m |
| 65 | 1200650967 | 808006P02M040 | 4m |
| 66 | 1200650968 | 808006P02M050 | 5m |
| 67 | 1200650969 | 808006P02M100 | 10m |
| 68 | 1200650970 | 808006P02M200 | 20m |
| 69 | 1200651763 | 808006P02M030 | 3m |
| 70 | 1200652141 | 804006P03M040 | 4m |

| No. | Part No. | Engineering No. | Cable Length |
|-----|------------|------------------|--------------|
| 71 | 1200652157 | 805006P03M040 | 4m |
| 72 | 1200652158 | 805006P03M100 | 10m |
| 73 | 1200655011 | 805006P03M005 | 0.5m |
| 74 | 1200655051 | 805006E03M006 | 0.6m |
| 75 | 1200658016 | 808006P02M060 | 6m |
| 76 | 1200658055 | 803006P03M003 | 0.3m |
| 77 | 1200658057 | 803006P03M035 | 3.5m |
| 78 | 1200658076 | 804006P03M0505 | 5m |
| 79 | 1200658092 | 805006P03M010 | 1m |
| 80 | 1200658109 | 808006P02M003 | 0.3m |
| 81 | 1200658110 | 808006P02M150 | 15m |
| 82 | 1200658181 | 808006P02M010 | 1m |
| 83 | 1200658209 | 805006E03M0061 * | 0.6m |
| 84 | 1200658217 | 805006P03M090 | 9m |
| 85 | 1200658223 | 808006E02M003 | 0.3m |
| 86 | 1200658226 | 808006E02M0038 | 0.3m |
| 87 | 1200658247 | 803006H09M100 | 10m |
| 88 | 1200658248 | 803006H09M050 | 5m |
| 89 | 1200658263 | 808006H08M100 | 10m |
| 90 | 1200658463 | 804006P03M150 | 15m |
| 91 | 1200658478 | 808006E02M040 | 4m |
| 92 | 1200658500 | 805006E03M1001 | 10m |
| 93 | 1200658518 | 804006E03M0201H | 2m |
| 94 | 1200658519 | 804006E03M0501H | 5m |
| 95 | 1200658526 | 803006E03M005 | 0.5m |
| 96 | 1200658542 | 804006E03M070 | 7m |
| 97 | 1200658546 | 808006E02M050 | 5m |
| 98 | 1200658552 | 808006E02M0031 | 0.3m |
| 99 | 1200658565 | 803006E03M010 | 1m |
| 100 | 1200658566 | 803006E03M040 | 4m |
| 101 | 1200658571 | 804006E03M040 | 4m |
| 102 | 1200658576 | 808006E02M010 | 1m |
| 103 | 1200658577 | 808006E02M020 | 2m |
| 104 | 1200658578 | 808006E02M030 | 3m |
| 105 | 1200658579 | 808006E02M100 | 10m |

| No. | Part No. | Engineering No. | Cable Length |
|-----|------------|-----------------|--------------|
| 106 | 1200658612 | 803006P03M040 | 4m |
| 107 | 1200658613 | 803006P03M100 | 10m |
| 108 | 1200658653 | 803006H09M010 | 1m |
| 109 | 1200658654 | 803006H09M015 | 1.5m |
| 110 | 1200658655 | 803006H09M020 | 2m |
| 111 | 1200658656 | 803006H09M030 | 3m |
| 112 | 1200658657 | 803006H09M040 | 4m |
| 113 | 1200658658 | 808006H08M010 | 1m |
| 114 | 1200658659 | 808006H08M015 | 1.5m |
| 115 | 1200658660 | 808006H08M020 | 2m |
| 116 | 1200658661 | 808006H08M030 | 3m |
| 117 | 1200658662 | 808006H08M040 | 4m |
| 118 | 1200658663 | 808006H08M050 | 5m |
| 119 | 1200658727 | 804006H09M010 | 1m |
| 120 | 1200658728 | 804006H09M015 | 1.5m |
| 121 | 1200658729 | 804006H09M020 | 2m |
| 122 | 1200658730 | 804006H09M030 | 3m |
| 123 | 1200658731 | 804006H09M040 | 4m |
| 124 | 1200658732 | 804006H09M050 | 5m |
| 125 | 1200658733 | 804006H09M100 | 10m |
| 126 | 1200658741 | 805006H09M010 | 1m |
| 127 | 1200658742 | 805006H09M015 | 1.5m |
| 128 | 1200658743 | 805006H09M020 | 2m |
| 129 | 1200658744 | 805006H09M030 | 3m |
| 130 | 1200658745 | 805006H09M040 | 4m |
| 131 | 1200658746 | 805006H09M050 | 5m |
| 132 | 1200658747 | 805006H09M100 | 10m |
| 133 | 1200658784 | 804006E03M0101H | 1m |
| 134 | 1200658785 | 804006E03M1001H | 10m |
| 135 | 1200658814 | 808006H08M025 | 2.5m |
| 136 | 1200658815 | 808006E02M003G | 0.3m |
| 137 | 1200658859 | 808006E02M0061G | 0.6m |
| 138 | 1200658876 | 804006E03M150 | 15m |
| 139 | 1200658881 | 803006E03M050G | 5m |
| 140 | 1200658888 | 804006E03M020H | 2m |

NOTES:

* - Part No. with Yellow PVC overmolding

** - Part No. with Black PVC overmolding

| | | |
|--|---|----------------------------|
| FUNCTIONAL SYMBOLS | THIS DRAWING CONTAINS INFORMATION THAT IS PROPRIETARY TO MOLEX ELECTRONIC TECHNOLOGIES, LLC AND SHOULD NOT BE USED WITHOUT WRITTEN PERMISSION | |
| | DIMENSION UNITS | SCALE |
| $\nabla_A = 0$ | mm | 1:1 |
| $\nabla_E = 0$ | GENERAL TOLERANCES (UNLESS SPECIFIED) | |
| $\nabla_F = 0$ | ANGULAR TOL ± 1.0° | |
| DIVISIONAL SYMBOLS | 4 PLACES | ± |
| | 3 PLACES | ± |
| | 2 PLACES | ± 0.05 |
| | 1 PLACE | ± 0.3 |
| | 0 PLACES | ± 0.5 |
| DRAFT WHERE APPLICABLE MUST REMAIN WITHIN DIMENSIONS | | THIRD ANGLE PROJECTION |
| CURRENT REV DESC: | | EC NO: 703046 |
| | | DRWN: APAWLAK01 2022/04/12 |
| | | CHK'D: RSILLER 2022/04/14 |
| | | APPR: RSILLER 2022/04/14 |
| INITIAL REVISION: | | DOCUMENT NUMBER |
| DRWN: JMARSZALEK 2016/01/12 | | 1200659185 |
| APPR: RSILLER 2016/04/08 | | DOC TYPE DOC PART REVISION |
| | | PSD 000 A10 |
| DRAWING | | SHEET NUMBER |
| A3-SIZE | SERIES | 3 OF 4 |
| 120065 | MATERIAL NUMBER | |
| SEE PART LIST | CUSTOMER | |
| GENERAL MARKET | | |

PART LIST


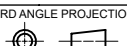
| No. | Part No. | Engineering No. | Cable Length |
|-----|------------|-----------------|--------------|
| 141 | 1200658890 | 804006H09M003 | 0.3m |
| 142 | 1200658892 | 803006H09M003 | 0.3m |
| 143 | 1200658893 | 804006E03M050H | 5m |
| 144 | 1200658895 | 804006H09M200 | 20m |
| 145 | 1200658897 | 805006E03M200 | 20m |
| 146 | 1200658913 | 805006P03M030 | 3m |
| 147 | 1200658918 | 808006E02M005H | 0.5m |
| 148 | 1200658919 | 808006E02M010H | 1m |
| 149 | 1200659034 | 804006E02M050 | 5m |
| 150 | 1200659036 | 804006E02M070 | 7m |
| 151 | 1200659037 | 804006E02M100 | 10m |
| 152 | 1200659041 | 808006E02M005 | 0.5m |
| 153 | 1200659080 | 804006E03M020Y | 2m |
| 154 | 1200659104 | 803006E03M010Y | 1m |
| 155 | 1200659109 | 804006E02M020 | 2m |
| 156 | 1200659110 | 808006E02M0501 | * 5m |
| 157 | 1200659111 | 803006E02M050 | 5m |
| 158 | 1200659141 | 805006H09M200 | 20m |
| 159 | 1200659142 | 805006H09M300 | 30m |
| 160 | 1200659145 | 805006E03M300 | 30m |
| 161 | 1200659149 | 805006H09M005 | 0.5m |
| 162 | 1200659154 | 804006P03M100Y | 10m |
| 163 | 1200659178 | 804006P03M075 | 7.5m |
| 164 | 1200659179 | 804006P03M015 | 1.5m |
| 165 | 1200659185 | 805006E03M080 | 8m |
| 166 | 1200659186 | 804006E03M060 | 6m |
| 167 | 1200659190 | 804006P03M250 | 25m |
| 168 | 1200659191 | 804006P03M300 | 30m |
| 169 | 1200659192 | 804006P03M350 | 35m |
| 170 | 1200659193 | 804006P03M400 | 40m |
| 171 | 1200659194 | 804006E03M250 | 25m |
| 172 | 1200659195 | 804006E03M300 | 30m |
| 173 | 1200659196 | 804006E03M350 | 35m |
| 174 | 1200659197 | 804006E03M400 | 40m |
| 175 | 1200659198 | 804006E03M450 | 45m |

| No. | Part No. | Engineering No. | Cable Length |
|-----|------------|-----------------|--------------|
| 176 | 1200659224 | 805006P03M200 | 20m |
| 177 | 1200659225 | 805006P03M300 | 30m |
| 178 | 1200659254 | 804006E03M500 | 50m |
| 179 | 1200659281 | 805006P03M150 | 15m |
| 180 | 1200659284 | 808006E02M150 | 15m |
| 181 | 1200659285 | 805006E03M150 | 15m |
| 182 | 1200659316 | 805006P03M005H | 0.5m |
| 183 | 1200659317 | 805006P03M007H | 0.7m |
| 184 | 1200659318 | 805006P03M010H | 1m |
| 185 | 1200659319 | 805006P03M020H | 2m |
| 186 | 1200659320 | 805006P03M050H | 5m |
| 187 | 1200659321 | 805006P03M100H | 10m |
| 188 | 1200659322 | 805006P03M150H | 15m |
| 189 | 1200659323 | 805006P03M200H | 20m |
| 190 | 1200659324 | 805006P03M300H | 30m |
| 191 | 1200659325 | 805006P03M350H | 35m |
| 192 | 1200659367 | 805006E03M015 | 1.5m |
| 193 | 1200659454 | 805006E03M045 | 4.5m |
| 194 | 1200659455 | 805006E03M075 | 7.5m |
| 195 | 1200659513 | 805006E03M030H | 3m |
| 196 | 1200659514 | 805006E03M045H | 4.5m |
| 197 | 1200659515 | 805006E03M075H | 7.5m |
| 198 | 1200659550 | 804006E03M120H | 12m |
| 199 | 1200659551 | 805006E03M010H | 1m |
| 200 | 1200659557 | 804006P03M003 | 0.3m |
| 201 | 1200659612 | 804006P03M080 | 8m |
| 202 | 1200659692 | 803006E02M020 | 2m |
| 203 | 1200659983 | 804006E02M075 | 7.5m |
| 204 | 1200659991 | 804006E02M0705 | 7m |
| 205 | 1200656021 | 804006H09M050H | 5m |
| 206 | 1200659539 | 808006E02M100 | ** 10m |
| 207 | 1200656293 | 803006E03M080 | 8m |
| 208 | 1200656294 | 803006E03M120 | 12m |
| 209 | 1200656295 | 804006E03M080 | 8m |
| 210 | 1200656297 | 808006H08M005 | 0.5m |

| No. | Part No. | Engineering No. | Cable Length |
|-----|------------|-----------------|--------------|
| 211 | 1200650843 | 803006A09M0208 | * 2m |
| 212 | 1200651374 | 805006K03M020 | 2m |
| 213 | 1200652151 | 805006K03M050 | 5m |
| 214 | 1200651129 | 804006K05M020 | 2m |
| 215 | 1200651131 | 804006K05M050 | 5m |
| 216 | 1200651133 | 804006K05M100 | 10m |
| 217 | 1200657191 | 805006E03M005 | 0.5m |
| 218 | 1200656974 | 805006H09M003 | 0.3m |
| 219 | 1200657157 | 804006P03M002 | 0.2m |
| 220 | 1200657158 | 804006P03M005 | 0.5m |
| 221 | 1200657159 | 804006E03M015 | 1.5m |
| 222 | 1200657263 | 805006H09M250 | 25m |
| 223 | | | |
| 224 | | | |
| 225 | | | |
| 226 | | | |
| 227 | | | |
| 228 | | | |
| 229 | | | |
| 230 | | | |
| 231 | | | |
| 232 | | | |
| 233 | | | |
| 234 | | | |
| 235 | | | |
| 236 | | | |
| 237 | | | |
| 238 | | | |
| 239 | | | |
| 240 | | | |
| 241 | | | |
| 242 | | | |
| 243 | | | |
| 244 | | | |
| 245 | | | |

| No. | Part No. | Engineering No. | Cable Length |
|-----|----------|-----------------|--------------|
| 246 | | | |
| 247 | | | |
| 248 | | | |
| 249 | | | |
| 250 | | | |
| 251 | | | |
| 252 | | | |
| 253 | | | |
| 254 | | | |
| 255 | | | |
| 256 | | | |
| 257 | | | |
| 258 | | | |
| 259 | | | |
| 260 | | | |
| 261 | | | |
| 262 | | | |
| 263 | | | |
| 264 | | | |
| 265 | | | |
| 266 | | | |
| 267 | | | |
| 268 | | | |
| 269 | | | |
| 270 | | | |
| 271 | | | |
| 272 | | | |
| 273 | | | |
| 274 | | | |
| 275 | | | |
| 276 | | | |
| 277 | | | |
| 278 | | | |
| 279 | | | |
| 280 | | | |

NOTES:
 * - Part No. with Yellow PVC overmolding
 ** - Part No. with Black PVC overmolding

| | | | | | | | |
|--|---|---|--|---|---|----------------|--------------|
| FUNCTIONAL SYMBOLS | THIS DRAWING CONTAINS INFORMATION THAT IS PROPRIETARY TO MOLEX ELECTRONIC TECHNOLOGIES, LLC AND SHOULD NOT BE USED WITHOUT WRITTEN PERMISSION | CURRENT REV DESC: | |  | | | |
| | $\nabla_A = 0$ $\nabla_B = 0$ $\nabla_C = 0$ | DIMENSION UNITS: mm SCALE: 1:1 | EC NO: 703046 DRWN: APAWLAK01 2022/04/14 CHK'D: RSILLER 2022/04/14 APPR: RSILLER 2022/04/14 | | CSE M12 XP AC MA STR XM SE UNSH | | |
| DIVISIONAL SYMBOLS | GENERAL TOLERANCES (UNLESS SPECIFIED) | INITIAL REVISION: | | PRODUCT CUSTOMER DRAWING | | | |
| | ANGULAR TOL $\pm 1.0^\circ$ 4 PLACES \pm 3 PLACES \pm 2 PLACES ± 0.05 1 PLACE ± 0.3 0 PLACES ± 0.5 | DRWN: JMARSZALEK 2016/01/12 APPR: RSILLER 2016/04/08 | | | DOCUMENT NUMBER: 1200659185 DOC TYPE: PSD DOC PART: 000 REVISION: A10 | | |
| DRAFT WHERE APPLICABLE MUST REMAIN WITHIN DIMENSIONS | | THIRD ANGLE PROJECTION | DRAWING | SERIES | MATERIAL NUMBER | CUSTOMER | SHEET NUMBER |
| | |  | A3-SIZE | 120065 | SEE PART LIST | GENERAL MARKET | 4 OF 4 |