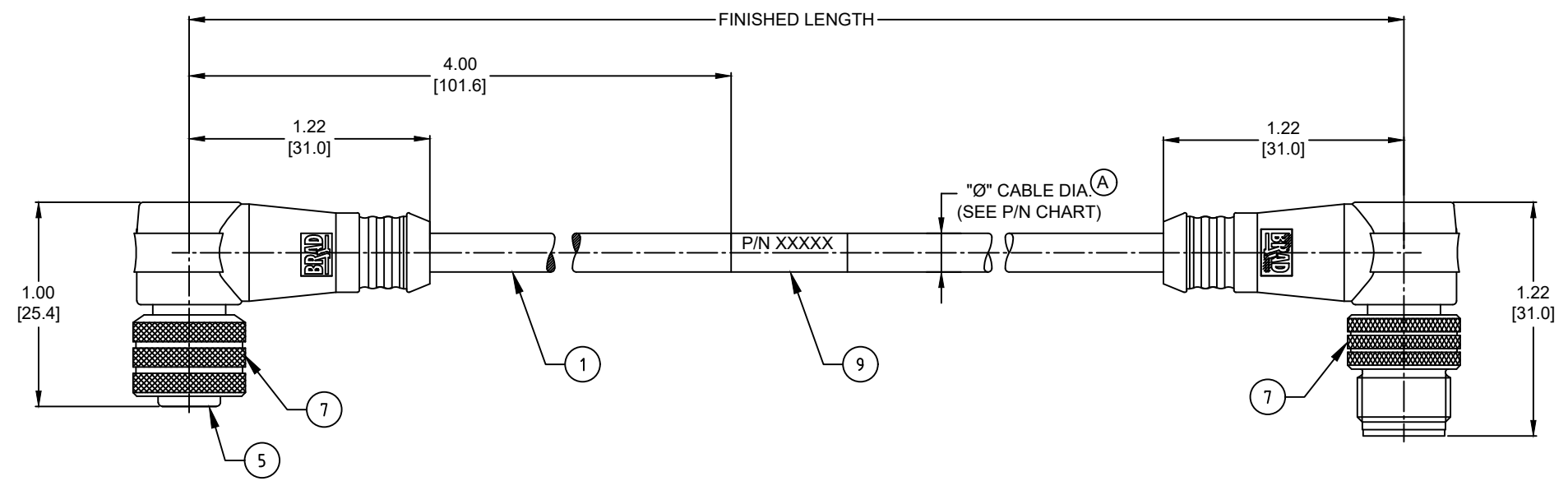
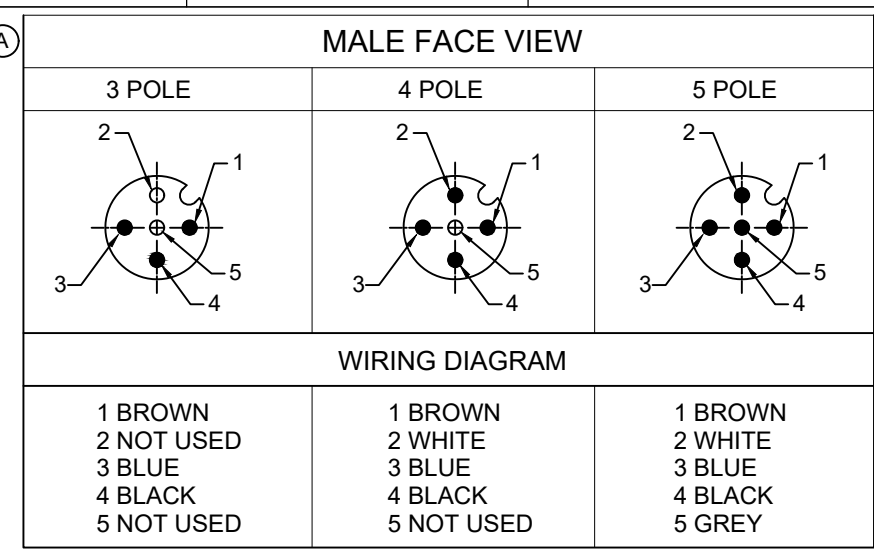
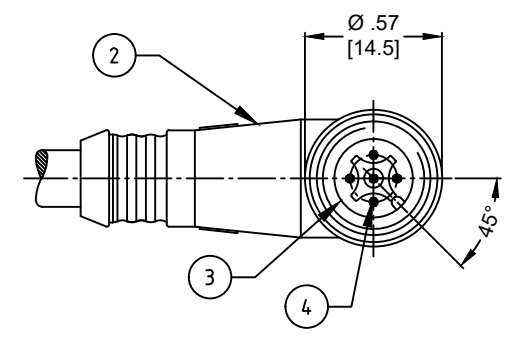
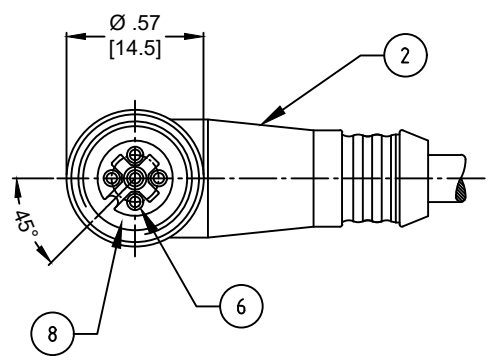


PART NO	ENGINEERING NO.	FINISHED LENGTH	POLES	CABLE DIA.
1200661199	883033A09M010	1M [3FT 3 IN]	3	.20/5.1
1200661336	884033A09M010	1M [3FT 3 IN]	4	.21/5.3
1200661634	885033A09M010	1M [3FT 3 IN]	5	.21/5.3



- NOTES:**
1. MATERIAL: AS NOTED
 2. FINISH: AS NOTED
 3. ELECTRICAL:
VOLTAGE: 250V
CURRENT: 4A
 4. TEMP RATING: -20°TO +105°C
 5. PROTECTION: IP67 (WHEN MATED)
 6. COUPLING THREAD: M12X1
 7. UL RECOGNIZED FILE: E152210
CSA CERTIFIED FILE: LR6837 (A)
 8. ALL DIMENSIONS ARE FOR REFERENCE
UNLESS TOLERANCED OR NOTED OTHERWISE



PART NO. MATRIX
885033A09M100

POLES (3, 4 & 5) FINISHED LENGTH
M005 = 0.5 METER
M010 = 1 METER
M100 = 10 METER

PRE-RELEASE
REFERENCE
USE ONLY

CABLE LENGTH TOLERANCES

<.3M [1FT]: +19mm-0 [+ .75in-0]
.3 - .9M [1 - 3FT]: +44.5mm-0 [+1.75in-0]
.9 - 1.8M [3 - 6FT]: +55.6mm-0 [+2.19in-0]
1.8 - 3.7M [6 - 12FT]: +88.9mm-0 [+3.50in-0]
3.7 - 7.3M [12 - 24FT]: +165.1mm-0 [+6.50in-0]
7.3-14.6M [24 - 48FT]: +317.5mm-0 [+12.50in-0]
14.6 - 30.5M [48-100FT]: +622.3mm-0 [+24.50in-0]
OVER 30M [100FT] +2% OF FINISHED LENGTH

9	LABEL	VINYL	BLACK/YELLOW
8	O-RING	VITON	RED
7	COUPLER	BRASS	NICKEL PLATED
6	CONTACT SOCKET	COPPER ALLOY	GOLD OVER NICKEL
5	INSERT (FEMALE)	TPU	BLACK
4	CONTACT PIN	COPPER ALLOY	GOLD OVER NICKEL
3	INSERT (MALE)	PUR	BLACK
2	OVERMOLD	PUR	YELLOW
1	CABLE 22/3-5 AWG	PVC JACKET	YELLOW
ITEM	DESCRIPTION	MATERIAL	FINISH

FUNCTIONAL SYMBOLS $F_A=0$ $F_P=0$ $F_P=0$	THIS DRAWING CONTAINS INFORMATION THAT IS PROPRIETARY TO MOLEX ELECTRONIC TECHNOLOGIES, LLC AND SHOULD NOT BE USED WITHOUT WRITTEN PERMISSION	CURRENT REV DESC: ITEM# 3 & 5 WERE NYLON. ADDED CABLE DIA & TOL CHART. MODIFIED INSERTS FACE VIEWS & MATERIAL CHART				
	DIMENSION UNITS: INCH/MM SCALE: NTS	EC NO: 666551 DRWN: ABENJAMINLW CHK'D: RSTONE APPR: ----				2021/03/01 2021/06/10
	GENERAL TOLERANCES (UNLESS SPECIFIED)	INITIAL REVISION: DRWN: LSTEMMLE APPR: FPACHER	2010/02/03 2010/02/04	PRODUCT CUSTOMER DRAWING		
	DIVISIONAL SYMBOLS 4 PLACES ± --- ± --- 3 PLACES ± --- ± --- 2 PLACES ± --- ± --- 1 PLACE ± --- ± --- 0 PLACES ± --- ± ---	DRAFT WHERE APPLICABLE MUST REMAIN WITHIN DIMENSIONS	THIRD ANGLE PROJECTION	DRAWING: A3-SIZE SERIES: 120066	MATERIAL NUMBER: SEE CHART CUSTOMER: GENERAL MARKET	SHEET NUMBER: 1 OF 1