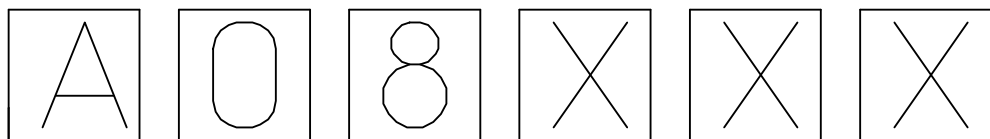


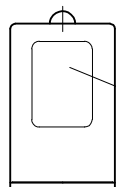
10 9 8 7 6 5 4 3 2 1



RODZAJ POLACZENIA/INTERNAL CIRCUIT  
 PATRZ SCHEMATY POLACZEN/WIRING CONFIGURATION  
 NAPIECIE ORAZ KOLOR DIODY/VOLTAGE AND LED COLOUR:

|         |         |         |                           |
|---------|---------|---------|---------------------------|
| 1= 12V  | A= 12V  | G= 12V  | ZOLTA DIODA<br>YELLOW LED |
| 2= 24V  | B= 24V  | H= 24V  |                           |
| 3= 48V  | C= 48V  | K= 48V  |                           |
| 4= 115V | D= 115V | L= 115V |                           |
| 5= 230V | E= 230V | M= 230V |                           |

CZERWONA DIODA / RED LED (A, B, C)  
 ZIELONA DIODA / GREEN LED (D, E)



TAMPONADRUK SCHEMATU (BIALY)  
 CIRCUIT TAMPOPRINT (WHITE)

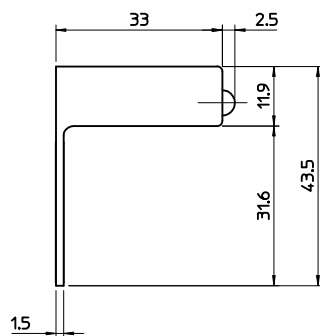
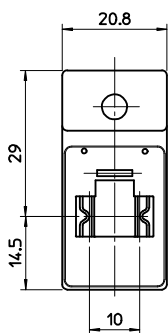
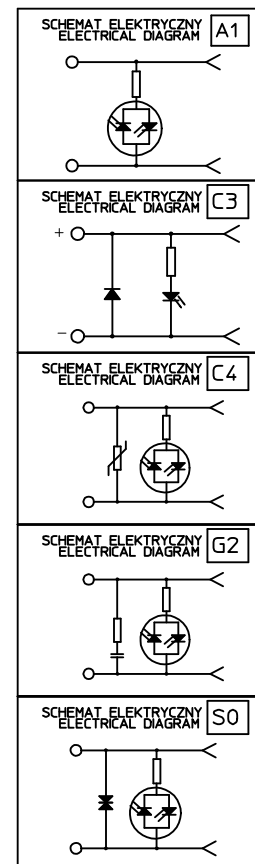


TABELA 1 / CHART 1

| MOLEX PN   | ENGINEERING No |
|------------|----------------|
| 1210010277 | A08A12         |
| 1210010280 | A08A15         |
| 1210010291 | A08C4B         |
| 1210010292 | A08C4H         |
| 1210010294 | A08C4M         |
| 1210010426 | A08S0H         |
| 1210010428 | A08A1L         |
| 1210010433 | A08G2M         |
| 1210010439 | A08C4L         |

SCHEMATY POLACZEN  
 /WIRING CONFIGURATION



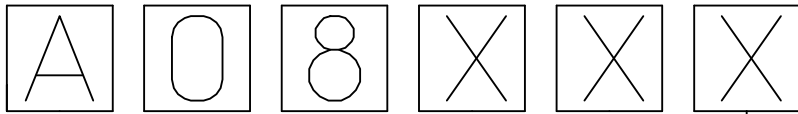
|   |                 |  |   |                             |                        |                        |
|---|-----------------|--|---|-----------------------------|------------------------|------------------------|
| NEW PNs ADDED<br>EC NO: IPG2016-1019<br>DRW:KALC IAK 2016/01/27<br>CHK:D-APAM LAK 2016/01/27<br>APPR:MIWASIECZKO 2016/06/17 | QUALITY SYMBOLS | GENERAL TOLERANCES (UNLESS SPECIFIED)  | DIMENSION STYLE   | SCALE                       | DESIGN UNITS           | THIRD ANGLE PROJECTION |
|   | ▼=0<br>◻=0      | mm    INCH<br>4 PLACES ± --- ± ---<br>3 PLACES ± --- ± ---<br>2 PLACES ± --- ± ---<br>1 PLACE ± --- ± ---<br>0 PLACE ± --- ± --- | MM ONLY   | ---                         | METRIC                 |                        |
|   | DESCRIPTION     | ANGULAR ± --- °  | DRAWN BY  | DATE                        | TITLE                  |                        |
|   | REV             | DRAFT WHERE APPLICABLE MUST REMAIN WITHIN DIMENSIONS   | MLEVYTSKYY 2009/05/05<br>MDABROWSKA 2009/05/05<br>MWOLSZCZAK 2009/05/05 | MATERIAL NO.<br>SEE CHART 1 | DOCUMENT NO.<br>A08XXX | SHEET NO.<br>1 OF 1    |

MPM A08 ADAPTORS

**molex**

9 8 7 6 5 4 3 2 1

A08 - ADAPTOR FOR DIN B



INTERNAL CIRCUIT

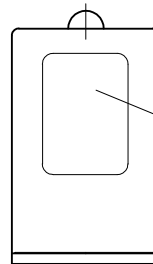
VOLTAGE AND LED COLOUR:

|         |         |         |
|---------|---------|---------|
| 1= 12V  | A= 12V  | G= 12V  |
| 2= 24V  | B= 24V  | H= 24V  |
| 3= 48V  | C= 48V  | K= 48V  |
| 4= 115V | D= 115V | L= 115V |
| 5= 230V | E= 230V | M= 230V |

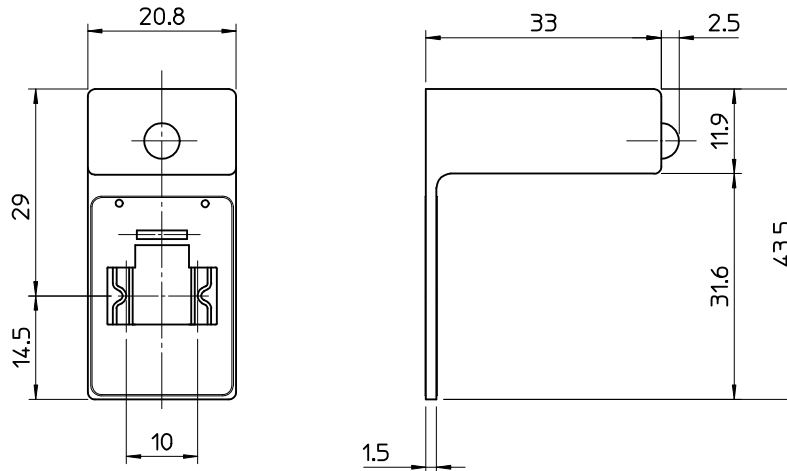
RED LED      GREEN LED      YELLOW LED

Chart 1

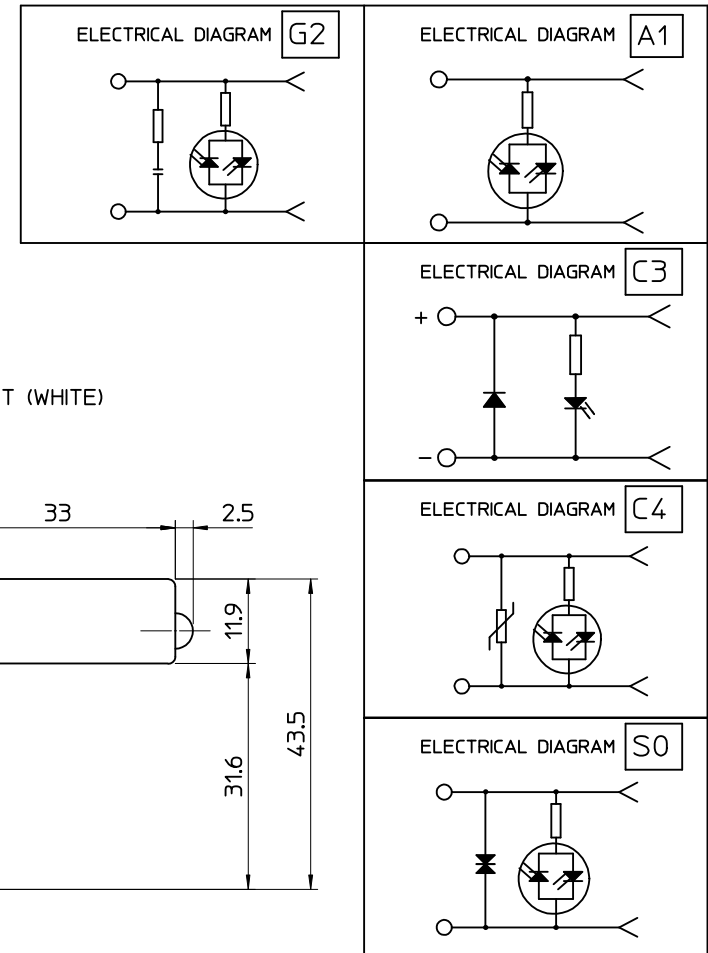
| Engineering no. | SAP Part Number | Circuit type | LED Color |
|-----------------|-----------------|--------------|-----------|
| A08C4B          | 1210010291      | C4 24V       | Green     |
| A08C4H          | 1210010292      | C4 24V       | Yellow    |
| A08C4M          | 1210010294      | C4 230V      | Yellow    |
| A08S0H          | 1210010426      | S0 24V       | Yellow    |
| A08A1L          | 1210010428      | A1 115V      | Yellow    |
| A08G2M          | 1210010433      | G2 230V      | Yellow    |
| A08C4L          | 1210010439      | C4 115V      | Yellow    |



CIRCUIT TAMPOPRINT (WHITE)



Wiring configuration



|   |                               |  |  |  |  |  |                        |                        |  |
|---|-------------------------------|--|--|--|--|--|------------------------|------------------------|--|
| ORIGINAL RELEASE<br>EC NO: IPG2013-1225<br>DRWN: JMARSZALEK 2013/02/11<br>CHKD: MSZWAJKOWSKI 2013/02/11<br>APPR: MIWASIECZKO 2013/02/12 | QUALITY SYMBOLS<br>▽=0<br>▽=0 | GENERAL TOLERANCES (UNLESS SPECIFIED)                      |  | DIMENSION STYLE<br>MM ONLY                 |  | SCALE<br>-   | DESIGN UNITS<br>METRIC | FIRST ANGLE PROJECTION |  |
|   |                               |  |  | DRAWN BY DATE<br>JMARSZALEK 2013/02/11     |  | TITLE<br>LIGHTS ADAPTORS<br>SERIES A08XXX<br>FOR DIN B   |                        |                        |  |
|   |                               |  |  | CHECKED BY DATE<br>MSZWAJKOWSKI 2013/02/11 |  | <b>molex</b><br>DOCUMENT NO. SD-121001-008<br>SHEET NO. 1 OF 1   |                        |                        |  |
|   |                               |  |  | APPROVED BY DATE<br>MIWASIECZKO 2013/02/12 |  |  |                        |                        |  |
| A   | REV                           | ANGULAR ±---°  |  | MATERIAL NO.                               |  |  |                        |                        |  |
|   |                               | DRAFT WHERE APPLICABLE<br>MUST REMAIN<br>WITHIN DIMENSIONS |  | SEE CHART 1                                |  |  |                        |                        |  |
|   |                               |  |  | SIZE<br>A4                                 |  | THIS DRAWING CONTAINS INFORMATION THAT IS PROPRIETARY TO MOLEX<br>INCORPORATED AND SHOULD NOT BE USED WITHOUT WRITTEN PERMISSION |                        |                        |  |