

6

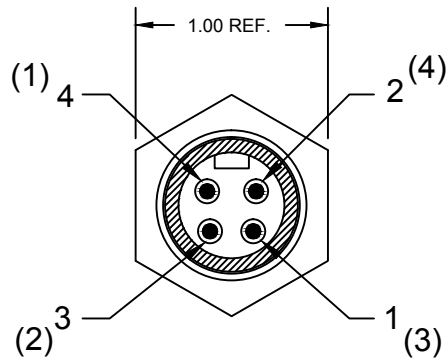
5

4

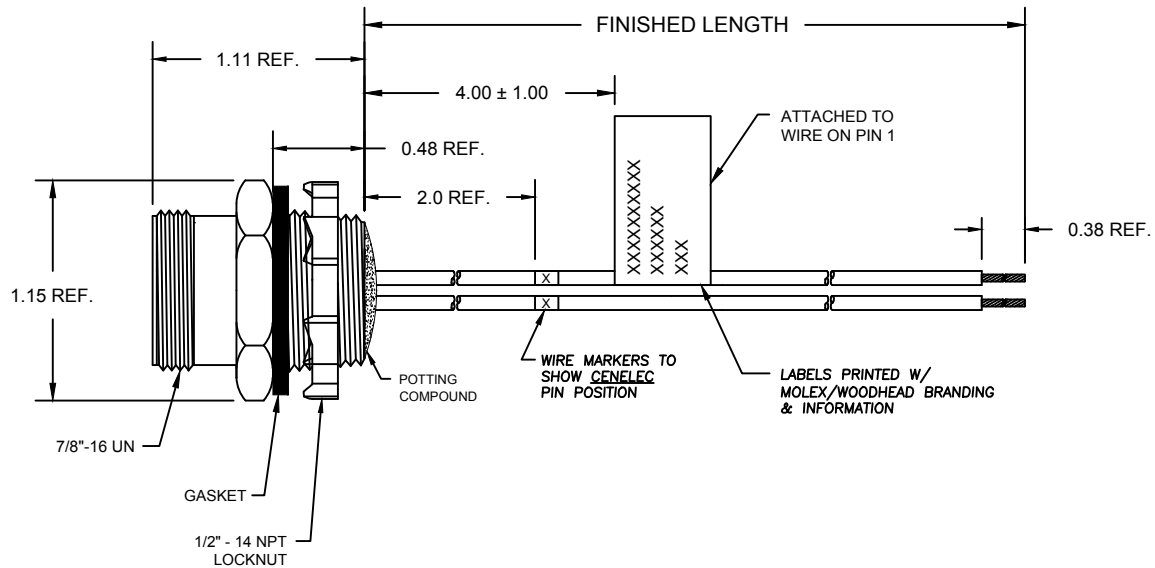
3

2

1



FACE VIEW - MALE



CENELEC EN 50 044 PINOUT SHOWN (SAE-J-1738A SHOWN IN PARENTHESIS)

©  
1R4006AA0MXXXD

FINISHED LENGTH  
M010 - 1 METER  
M100 - 10 METER

1 (3)	BLUE
2 (4)	BLUE/YELLOW
3 (2)	WHITE/BLUE
4 (1)	BLUE/WHITE

SPECIFICATIONS:

SHELL MATERIAL: ZINC DIECAST W/ BLACK ELECTROPHORETIC COATING  
CONTACT MATERIAL: GOLD/NICKEL OVER COPPER ALLOY  
INSERT MATERIAL: YELLOW TPE  
LOCKNUT: ZINC-PLATED STEEL  
GASKET: BLACK NEOPRENE

WIRES: #16-1, PVC LEADS  
ASSEMBLY RATING: 600V, 10A

ENVIRONMENTAL: -20°C TO 105°C  
IP67 WHEN MATED

AGENCY APPROVALS: UL LISTED

ADD PIN MATRIX EC NO: IPC2017-0064 DRWN: MZIELINS 2016/07/19 CHKD: VOU 2016/07/19 APPR: BWOODMAN 2012/03/08	QUALITY SYMBOLS ▽=0 ▽C=0	GENERAL TOLERANCES (UNLESS SPECIFIED)		DIMENSION STYLE INCH		SCALE 1:1	DESIGN UNITS INCH	THIRD ANGLE PROJECTION	
			mm	INCH	DRAWN BY VOU	DATE 2010/12/13	TITLE MINI-CHANGE RECEPTACLE 4P MR 1/2 NPT MOUNT #16-1 PVC WIRES		
		4 PLACES	±---	±---	CHECKED BY BWOODMAN	DATE 2012/02/17	MOLEX INCORPORATED		
		3 PLACES	±---	±.005	APPROVED BY JFMURPHY	DATE 2012/03/08	DOCUMENT NO. SD-130013-029		
		2 PLACES	±0.13	±.010	MATERIAL NO. SEE CHART		SHEET NO. 1 OF 1		
		1 PLACE	±0.25	±.020	THIS DRAWING CONTAINS INFORMATION THAT IS PROPRIETARY TO MOLEX INCORPORATED AND SHOULD NOT BE USED WITHOUT WRITTEN PERMISSION				
DRAFT WHERE APPLICABLE MUST REMAIN WITHIN DIMENSIONS		ANGULAR ±1/2°							

6

5

4

3

2

1

E

E

D

D

C

C

B

B

A

A