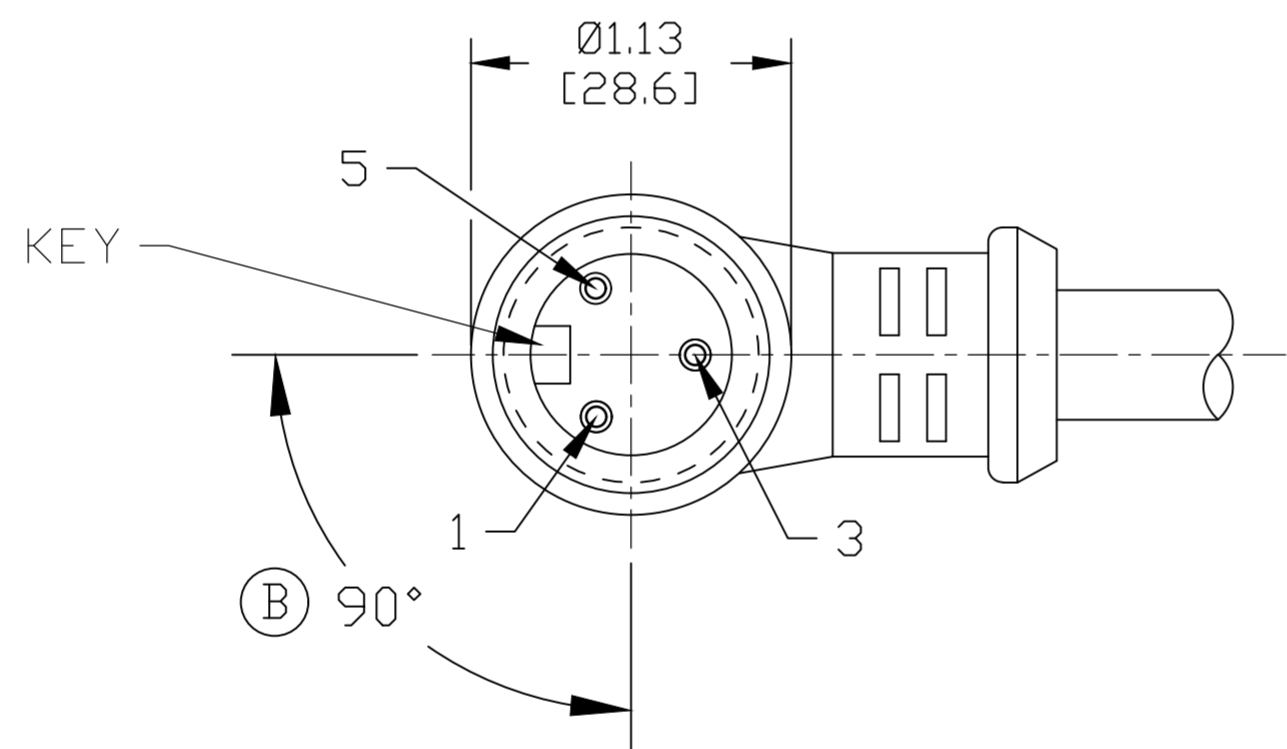
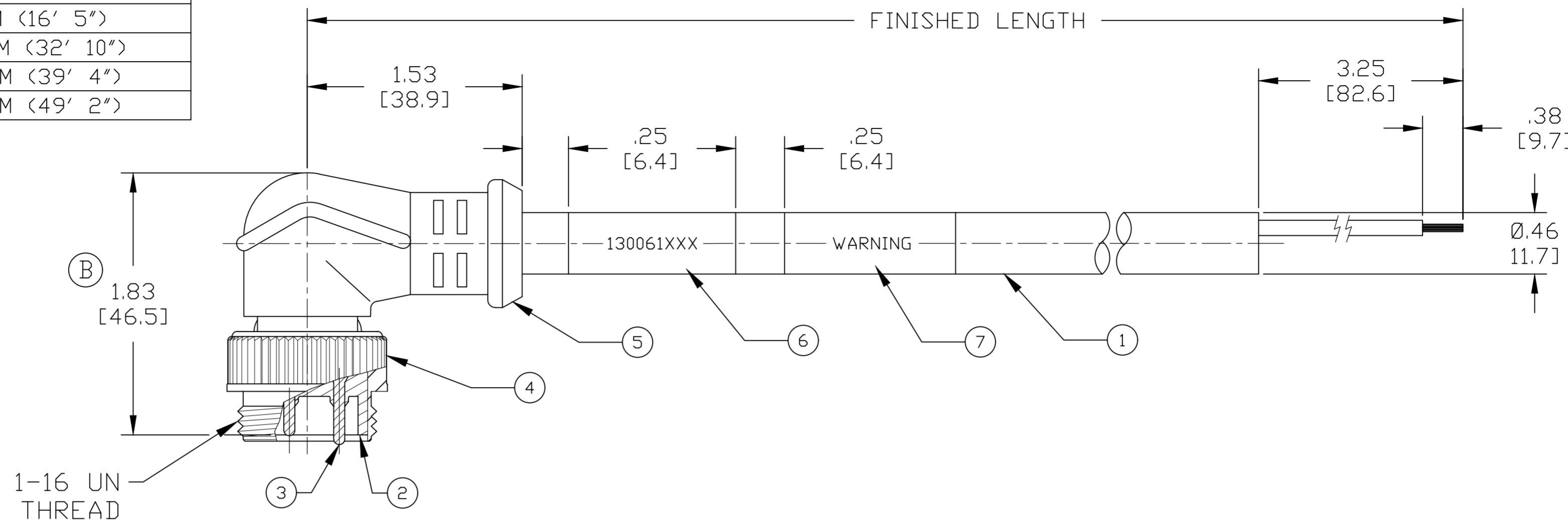


PART NO.	ENGINEERING NO.	FINISHED LENGTH
1300611080	203007A45M030	3M (9' 10")
1300611120	203007A45M050	5M (16' 5")
1300610224	203007A45M100	10M (32' 10")
1300611084	203007A45M120	12M (39' 4")
1300610229	203007A45M150	15M (49' 2")



PART NO. LEGEND

203007A45M030

CABLE TYPE
16/3 TC-ER

FINISHED LENGTH:
M005= 0.5 METER
M030= 3 METER
M120= 12 METER

NOTES:

- MATERIAL: AS NOTED
- FINISH: AS NOTED
- ELECTRICAL:
VOLTAGE: 600V
CURRENT: 13A
- TEMP RATING: -25°TO +80°C
- PROTECTION: IP67 (WHEN MATED)
- UL LISTED FILE: E258922
- ALL DIMS ARE FOR REFERENCE UNLESS TOLERANCED OR NOTED OTHERWISE

- 1 BLACK
- 3 GREEN/YELLOW
- 5 WHITE

MALE FACE VIEW

CABLE LENGTH TOLERANCES	
>.3M [1FT]:	+19mm-0 [+0.75in-0]
.3 - .9M [1 - 3FT]:	+44.5mm-0 [+1.75in-0]
.9 - 1.8M [3 - 6FT]:	+55.6mm-0 [+2.19in-0]
1.8 - 3.7M [6 - 12FT]:	+88.9mm-0 [+3.50in-0]
3.7 - 7.3M [12 - 24FT]:	+165.1mm-0 [+6.50in-0]
7.3-14.6M [24 - 48FT]:	+317.5mm-0 [+12.50in-0]
14.6 - 30.5M [48-100FT]:	+622.3mm-0 [+24.50in-0]
OVER 30M [100FT]	+2% OF FINISHED LENGTH

ITEM	DESCRIPTION	MATERIAL	FINISH
7	WARNING LABEL	VINYL	ORANGE/BLACK
6	WRAP LABEL	VINYL	BLACK/YELLOW
5	OVERMOLD	TPE	GRAY
4	COUPLING NUT	ZINC DIE CAST	BLACK ANODIZE
3	CONTACT PIN	COPPER ALLOY	GOLD PLATED
2	MALE INSERT, 3P	TPE	BLACK
1	CABLE, 16/3 TC-ER	PVC JACKET	GRAY, BLACK STRIPE

FUNCTIONAL SYMBOLS	THIS DRAWING CONTAINS INFORMATION THAT IS PROPRIETARY TO MOLEX ELECTRONIC TECHNOLOGIES, LLC AND SHOULD NOT BE USED WITHOUT WRITTEN PERMISSION										
	DIMENSION UNITS	SCALE		CURRENT REV DESC: O-MOLD WAS BLACK, O-MOLD DIM WAS 1.88, DIMS CHANGED TO IN/MM, ADD 90 DEG KEY ORIENTATION							
	INCH/MM	NTS									
	GENERAL TOLERANCES (UNLESS SPECIFIED)										
DIVISIONAL SYMBOLS	mm		INCH		EC NO: 701133				BRAD POWER CABLE ASSEMBLY		
	4 PLACES	±----	±----	DRWN: RSTONE		2022/03/28		3 POLE, MALE 90 DEG, SINGLE KEY, 16AWG, ADD 90 DEG KEY ORIENTATION			
	3 PLACES	±----	±----	CHK'D: ALEON01		2022/03/29					
	2 PLACES	±----	±----	APPR: BWOODMAN		2022/03/30		PRODUCT CUSTOMER DRAWING			
1 PLACE		±----	±----	INITIAL REVISION:				DOCUMENT NUMBER			
0 PLACES		±----	±----	DRWN: RSTONE		2018/06/18		SD-130061-042		DOC TYPE/DOC PART	REVISION
ANGULAR TOL ± ---- °				APPR: BWOODMAN		2018/06/21		PSD 001		B	
DRAFT WHERE APPLICABLE MUST REMAIN WITHIN DIMENSIONS				THIRD ANGLE PROJECTION		DRAWING		SERIES		SHEET NUMBER	
						C-SIZE		130061		1 OF 1	