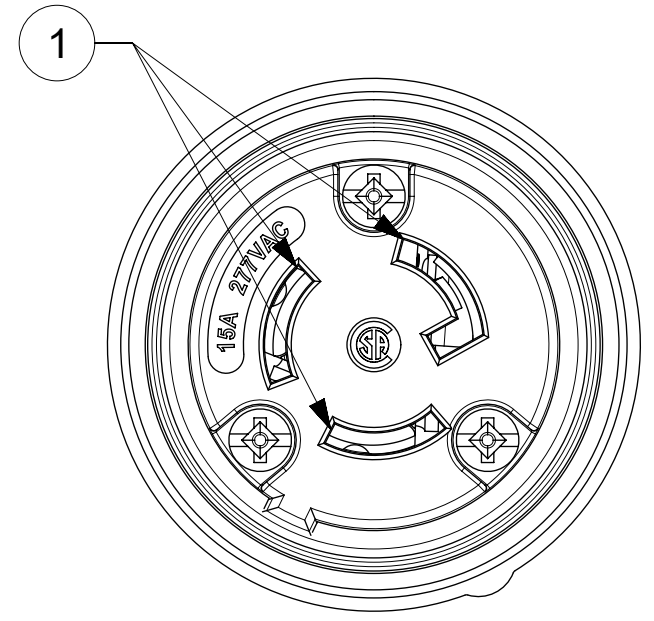
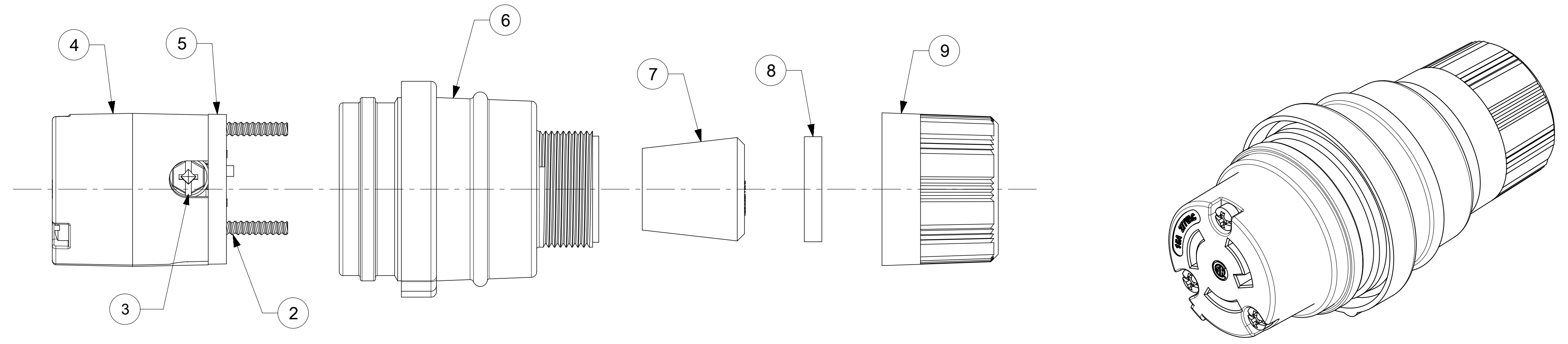
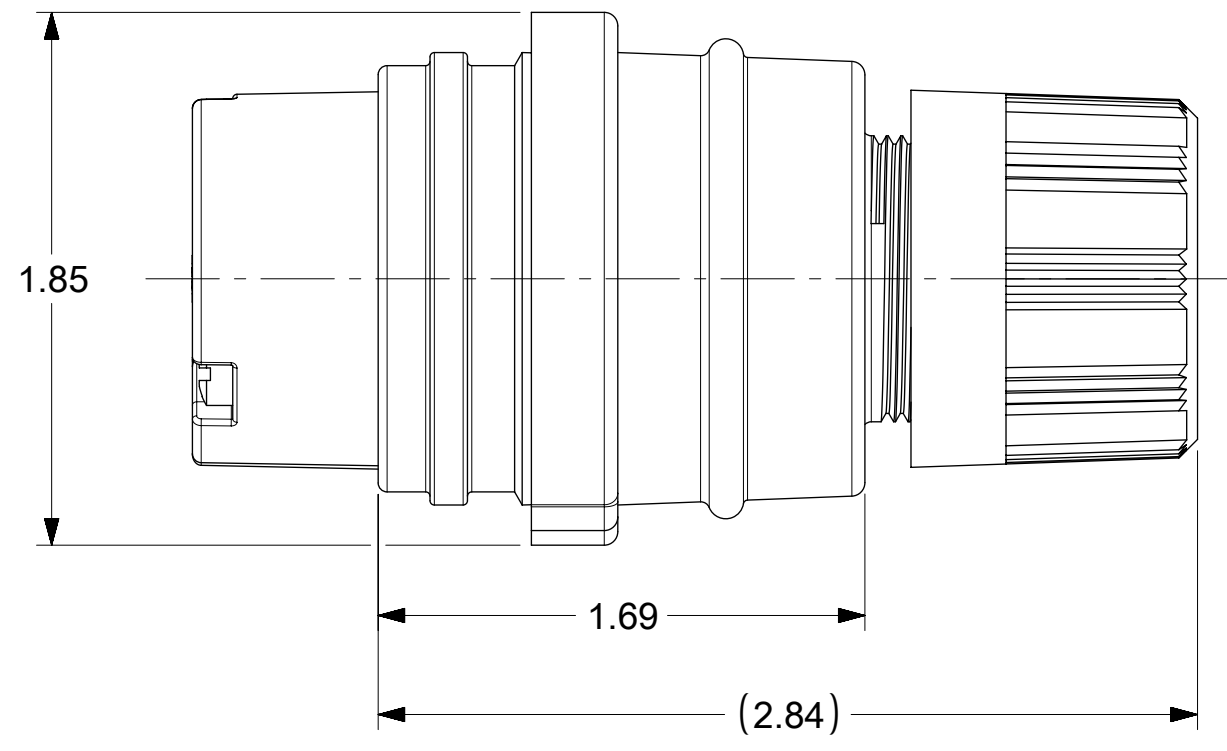


ORDER NO.	WOODHEAD NO.	COLOR
130146-0218	25W34MB-P	YELLOW



FACE VIEW



- NOTES:
- SEE INSTRUCTION SHEET NUMBER 1301414770 FOR PRODUCT SPECIFICATION.
 - CABLE RANGE FROM 0.375" TO 0.625"

ITEM NO.	DESCRIPTIONS	MATERIAL	QTY.
1	BLADES	BRASS	3
2	RETAINING SCREWS	STAINLESS STEEL	3
3	TERMINAL SCREWS	BRASS, ZINC PLATED	3
4	INSERT	NYLON	1
5	TERMINAL COVER	POLYCARBONATE	1
6	HOUSING	RUBBER WITH NYLON THREAD	1
7	GROMMETS	RUBBER	5
8	FRICTION RING	NYLON	1
9	COMPRESSION NUT	NYLON	1

SYMBOLS		THIS DRAWING CONTAINS INFORMATION THAT IS PROPRIETARY TO MOLEX ELECTRONIC TECHNOLOGIES, LLC AND SHOULD NOT BE USED WITHOUT WRITTEN PERMISSION		CURRENT REV DESC: RELEASED	
▽ = 0	DIMENSION UNITS	SCALE			
▽ = 0	INCH	NTS			
▽ = 0	GENERAL TOLERANCES (UNLESS SPECIFIED)				
▽ = 0	ANGULAR TOL	± 0.5°			
▽ = 0	4 PLACES	±			
▽ = 0	3 PLACES	± 0.005			
▽ = 0	2 PLACES	± 0.01			
▽ = 0	1 PLACE	± 0.02			
▽ = 0	0 PLACES	±			
▽ = 0	DRAFT WHERE APPLICABLE MUST REMAIN WITHIN DIMENSIONS	THIRD ANGLE PROJECTION	DRAWING	SERIES	
▽ = 0			C-SIZE	130146	
DOCUMENT STATUS		P1	RELEASE DATE	2019/03/21	14:42:44
EC NO:		613684	DRWN:	ABABU01	2018/11/27
CHK'D:		DNGUYEN62	APPR:	HKNEELAND	2019/03/15
INITIAL REVISION:			DRWN:	ABABU01	2018/11/27
APPR:		HKNEELAND	APPR:	HKNEELAND	2019/03/21
DOCUMENT NUMBER		DOC TYPE		DOC PART	REVISION
1301460218		PSD		000	A
MATERIAL NUMBER		CUSTOMER		SHEET NUMBER	
SEE TABLE		GENERAL MARKET		1 OF 1	