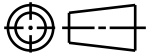
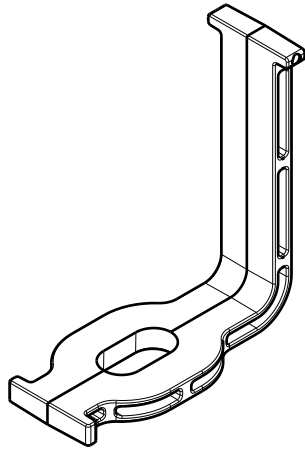


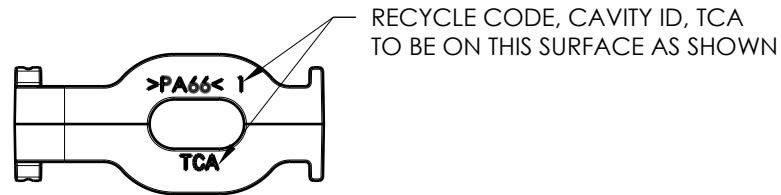
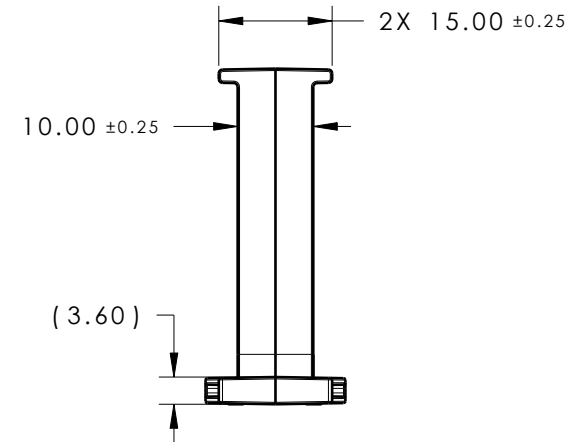
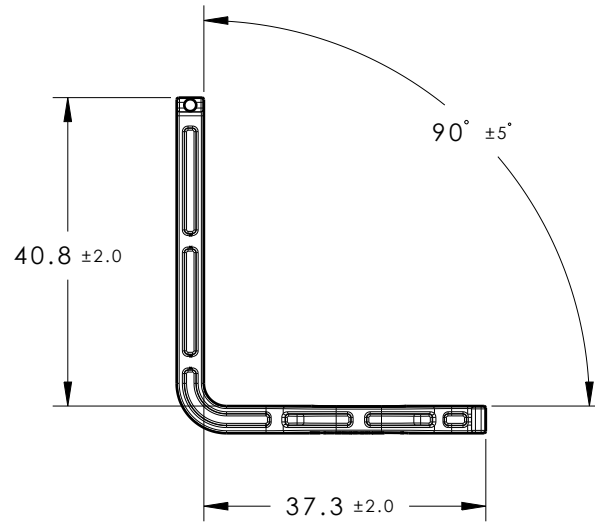
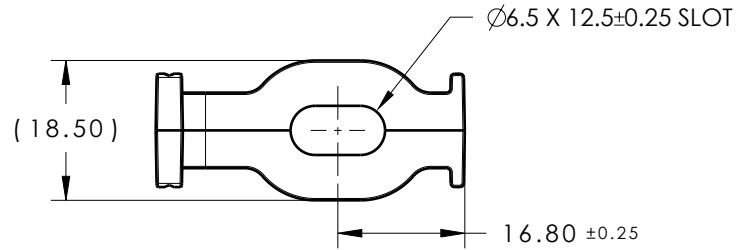
CATIA V5



Revision Level			Revision Record	Changed	Date	Approved	Date
Drawing	State	Part					
00.0	Design Release	A	SEE ECN# 013185	EJH	7/1/15	KVH	7/1/15



ISOMETRIC VIEW
SCALE 1:1



Material
PA66 HIRHS
COLOR: BLACK

Units millimeters

Tolerance defined on each dimension

The copyright of this drawing is reserved by HellermannTyton. It is issued on condition that it is not reproduced, copied or disclosed to a third party, either wholly or in part, without the consent of HellermannTyton.

Drawn	EJH	7/1/15
Approved	KVH	7/1/15

HellermannTyton
North America
Email: corp@htamericas.com
Web: www.hellermann.tyton.com

Article/Type-No	TC90OVAL/151-01311	Scale	1:1
Title	90 DEG TAPE CLIP 6.5 X 12.5 OVAL	Project Number	14-0602
Drawing-No	14-0602-021-CSU	Format	AH
	PRODUCTION : Phase	Sheet	1/1