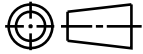
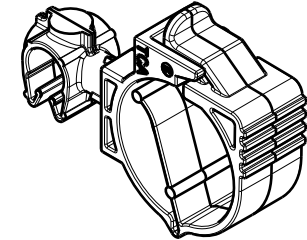
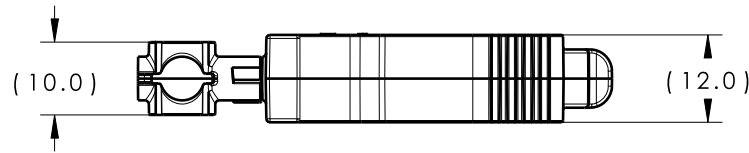


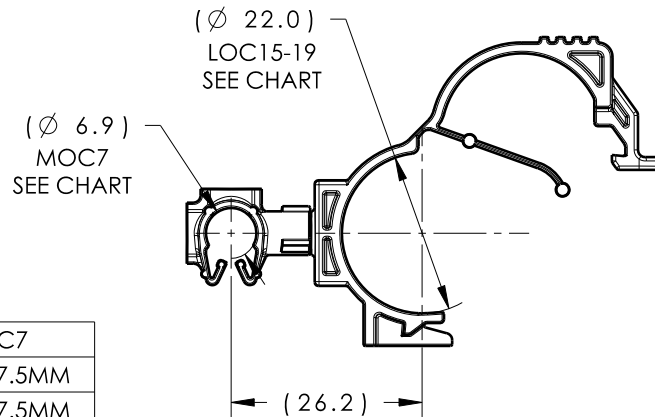
CATIA V5



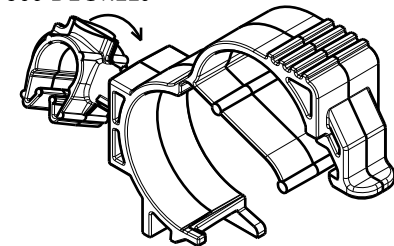
Revision Level			Revision Record	Changed	Date	Approved	Date
Drawing	State	Part					
00.0	Design Release	-	SEE ECN# 014970	JMC	03/22/19	EJH	03/22/19



ISOMETRIC VIEW  
CLOSED



CLIPS ROTATE  
360 DEGREES



ISOMETRIC VIEW  
OPEN

TYPE	MOC7
HARNESS	6.5MM-7.5MM
HOSE	6.0MM-7.5MM
HARD PIPE/TUBE	7.0MM-8.0MM

\*RECOMMENDED SIZES MAY DIFFER DEPENDING ON THE APPLICATION, PRODUCT, REQUIRMENTS AND MATERIALS USED

\*\*PATENT PENDING 29/582,271

GLOBAL PART DESCRIPTION	MOC7**			LOC15-19		
	DRAWING	MATERIAL	COLOR	DRAWING	MATERIAL	COLOR
MOC7FLOC15-19-PA66HIRHSUV-BK	16-0315-001-CSU	PA66HIRHSUV	BLACK	12-0429-051-CSU	PA66HIRHSUV	BLACK

Material SEE CHART COLOR: SEE CHART	Units <b>millimeters</b>	The copyright of this drawing is reserved by HellermannTyton. It is issued on condition that it is not reproduced, copied or disclosed to a third party, either wholly or in part, without the consent of HellermannTyton.	Drawn	JMC	03/22/19	Article/Type-No	MOC7FLOC15-19	Scale	1:1			
	Tolerance defined on each dimension		Approved	EJH	03/22/19	Title	7MM MOC COUPLED TO 15-19MM LOC		Project Number	16-0327		
			<b>HellermannTyton</b> North America Email: corp@htamericas.com Web: www.hellermann.tyton.com						Drawing-No	PRODUCTION : Phase	Format	AH
									<b>16-0327-073-CSU</b>		Sheet	1/1