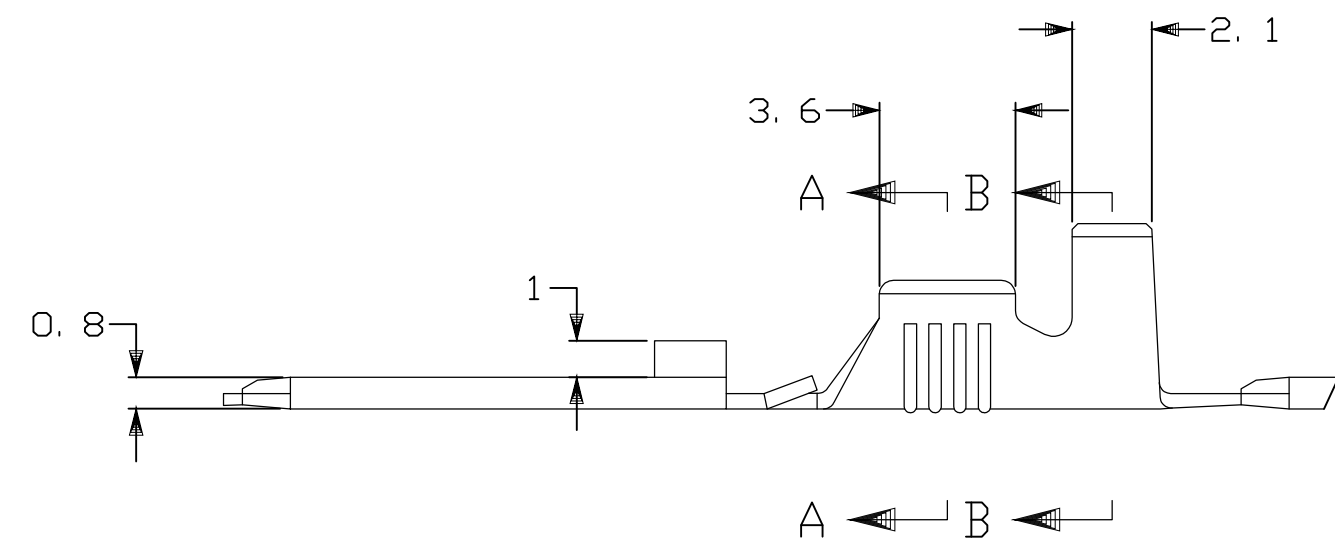
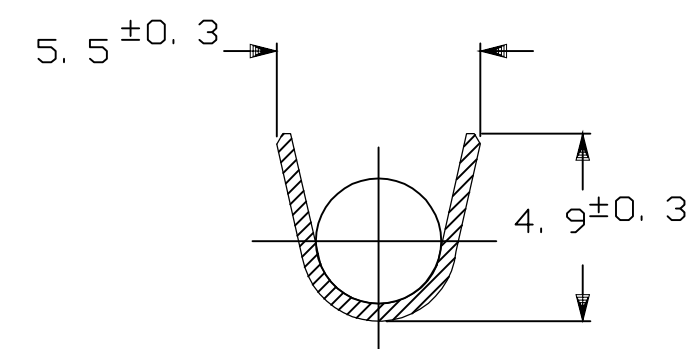
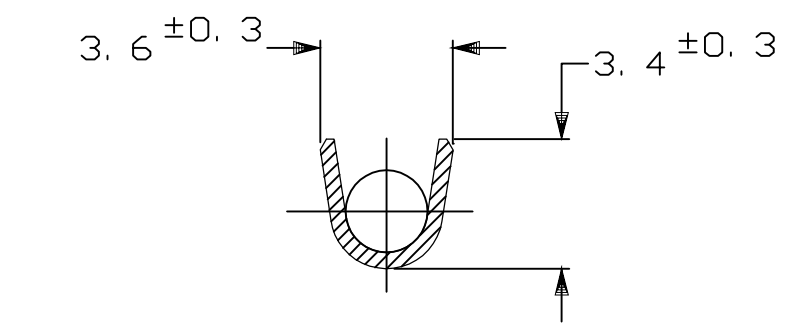
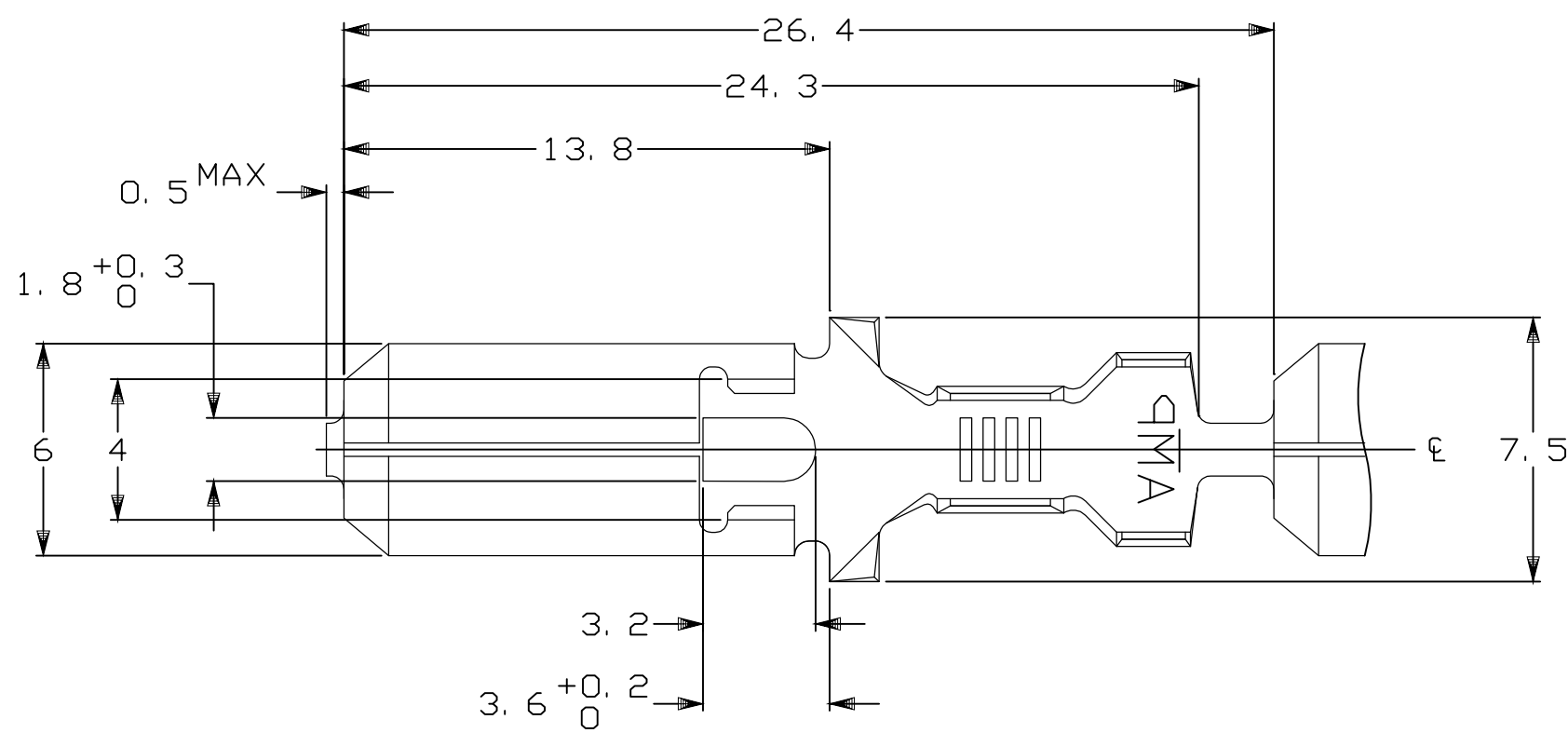


THIS DRAWING IS UNPUBLISHED. RELEASED FOR PUBLICATION
 © COPYRIGHT - By - ALL RIGHTS RESERVED.

LOC	DIST	REVISIONS 変更			
P	LTR	DESCRIPTION	DATE	DWN	APVD
J	-	C4	REVISED	02DEC2013	K.S D.Z
		C5	REVISED PER ECR-15-013317	21SEP2015	L.P T.D



- △ REVERSE REEL OF 170340-3
- △ 170340-3、逆巻リール
- △ SEPARATE PAPER TYPE

△	—	PRE-TIN BRASS t0.41	179462-3	2-170340-3
△	—	PRE-TIN BRASS t0.41	—	1-170340-3
	—	PRE-TIN BRASS t0.41	179462-3	170340-3
	—	BRASS t0.41	—	170340-1
	FINISH	MATERIAL	LOOSE PIECE NUMBER	PART NUMBER

THIS DRAWING IS A CONTROLLED DOCUMENT.

DIMENSIONS: 単位: 耗 mm

TOLERANCES UNLESS OTHERWISE SPECIFIED: 一般公差

0 PLC ± -
 1 PLC 10 ± - ±0.2
 2 PLC 30 ± - ±0.25
 3 PLC ANGLE: ±3°
 4 PLC ± - ± -
 ANGLES ± -

MATERIAL 材料 SEE TABLE
 FINISH 仕上 SEE TABLE

DWN	A.YAMAGUCHI	19AUG98	WIRE RANGE 総合電線断面積 <0.5~2.27mm SQ> #20~#14		INSULATION DIA 被覆外径 2.1~3.4 DIA
CHK	K.BETSUI	26AUG98	TE Connectivity 250 SERIES TAB WITHOUT LATCH 250シリーズ ラッチ無しタブ		
APVD	K.BETSUI	26AUG98			
PRODUCT SPEC	製品規格	108-5147	NAME 名称		
APPLICATION SPEC	取付適用規格	114-5052	SIZE	CAGE CODE	DRAWING NO 番号
WEIGHT	0.76g		A3	00779	G-170340
CUSTOMER DRAWING			SCALE 尺度	5:1	SHEET 1 OF 1
			RESTRICTED TO	REV C5	