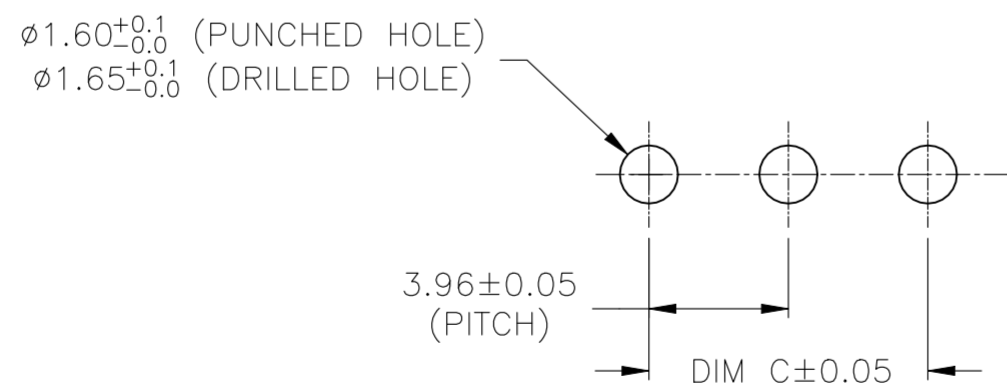
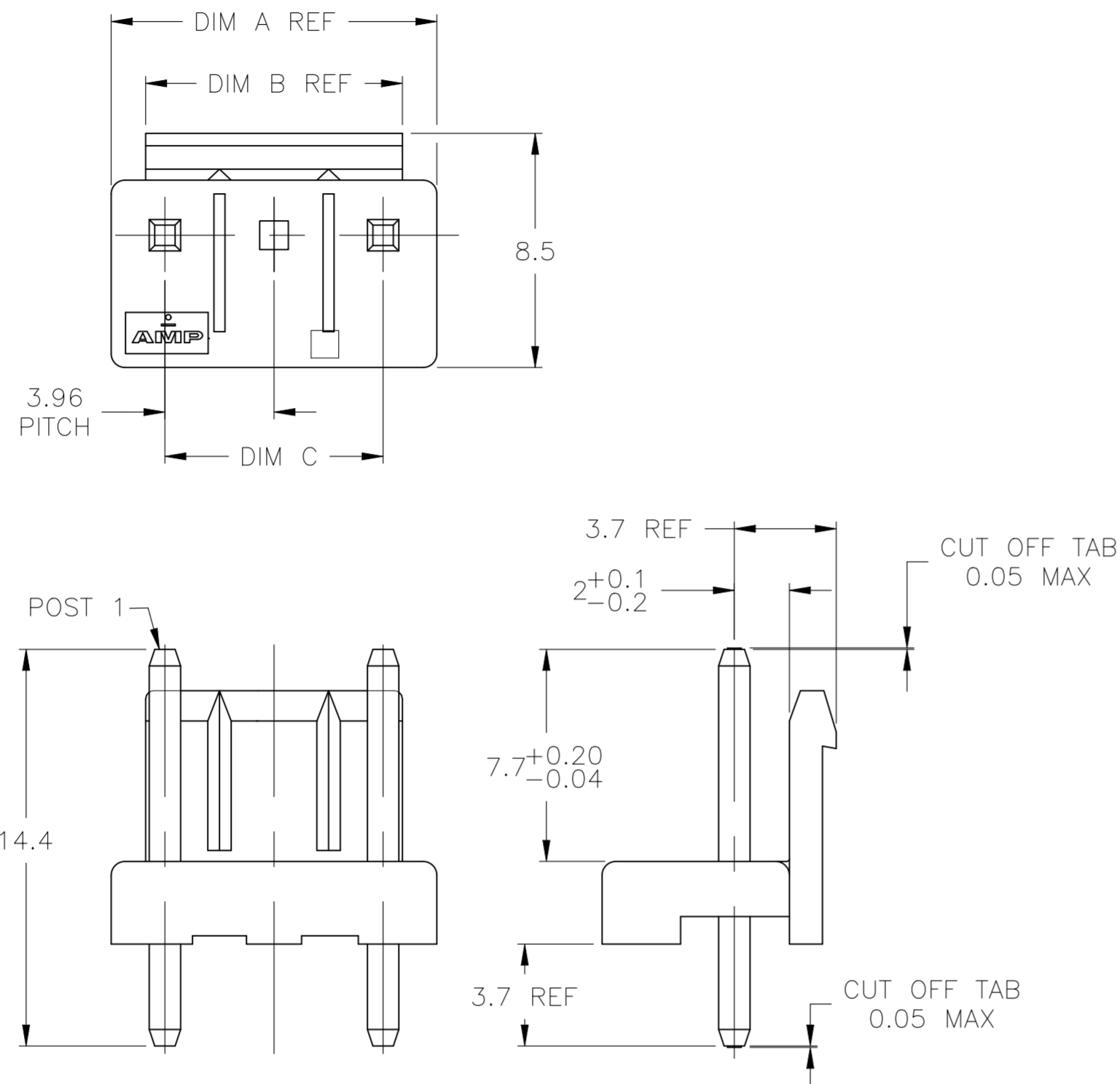


REVISIONS					
P	LTR	DESCRIPTION	DATE	DWN	APVD
C4		REVISED PER ECR-22-129998	13APR2022	WH	LC



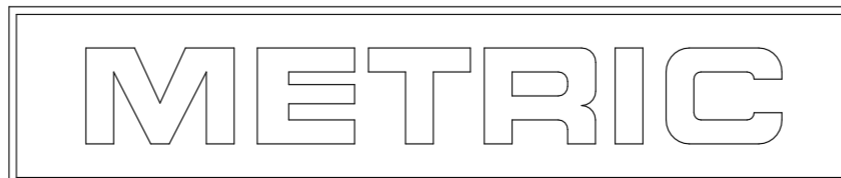
1 MATERIAL: HOUSING- PBT, 30% GLASS, UL94-V0(ONLY NATURAL COLOR)
 POST-BRASS, 1MICROMETER MIN TIN OVER
 0.8 MICROMETER MIN NICKEL.

2. RECOMMENDED MATING PART: *-1123722-*

3 0 : WITH PIN,
 X : WITHOUT PIN.

4 PRELIMINARY PART - NOT RELEASED FOR PRODUCTION

4	0	0	3.96	5.36	7.86	PINK	2	8-1744103-2	
4	0	0	3.96	5.36	7.86	GRAY	2	7-1744103-2	
	0	0	3.96	5.36	7.86	GREEN	2	6-1744103-2	
	0	0	3.96	5.36	7.86	BLACK	2	5-1744103-2	
	0	0	3.96	5.36	7.86	RED	2	4-1744103-2	
	0	0	3.96	5.36	7.86	BLUE	2	3-1744103-2	
	0	0	3.96	5.36	7.86	YELLOW	2	2-1744103-2	
	0	0	3.96	5.36	7.86	NATURAL	2	1744103-2	
4	0	0	7.92	9.32	11.82	PINK	3	8-1744103-3	
4	0	0	7.92	9.32	11.82	GRAY	3	7-1744103-3	
	0	0	7.92	9.32	11.82	GREEN	3	6-1744103-3	
	0	0	7.92	9.32	11.82	BLACK	3	5-1744103-3	
	0	0	7.92	9.32	11.82	RED	3	4-1744103-3	
	0	0	7.92	9.32	11.82	BLUE	3	3-1744103-3	
	0	0	7.92	9.32	11.82	YELLOW	3	2-1744103-3	
	0	0	7.92	9.32	11.82	NATURAL	3	1744103-3	
	0	X	7.92	9.32	11.82	PINK	3	8-1744103-1	
	0	X	7.92	9.32	11.82	GRAY	3	7-1744103-1	
	0	X	7.92	9.32	11.82	GREEN	3	6-1744103-1	
	0	X	7.92	9.32	11.82	BLACK	3	5-1744103-1	
	0	X	7.92	9.32	11.82	RED	3	4-1744103-1	
	0	X	7.92	9.32	11.82	BLUE	3	3-1744103-1	
	0	X	7.92	9.32	11.82	YELLOW	3	2-1744103-1	
	0	X	7.92	9.32	11.82	NATURAL	3	1744103-1	
3	1	2	3	DIM C	DIM B	DIM A	COLOR	NO. OF POSITIONS	ASSEMBLY PART NO.



THIS DRAWING IS A CONTROLLED DOCUMENT.		DWN K. WHITAKER 03JUN04	TE Connectivity NAME HEADER ASSEMBLY, SPECIAL, OMITTED POST, 3 POSITION, ECONOMY POWER (EP)	
DIMENSIONS: mm		CHK D. BOSSI 03JUN04		
TOLERANCES UNLESS OTHERWISE SPECIFIED:		APVD D. BOSSI 03JUN04	PRODUCT SPEC 108-5609	
0 PLC ± -		APPLICATION SPEC 114-32134		SIZE A2
1 PLC ± 0.5		WEIGHT -		CAGE CODE C=1744103
2 PLC ± 0.30		CUSTOMER DRAWING		DRAWING NO -
3 PLC ± -		SCALE N/A		SHEET 1 of 1
4 PLC ± -		REVISIONS		REV C4
ANGLES ± -				
FINISH				
1				