


Connector - PV-CF-S 6-16 (+) - 1790784

Please be informed that the data shown in this PDF Document is generated from our Online Catalog. Please find the complete data in the user's documentation. Our General Terms of Use for Downloads are valid (<http://phoenixcontact.com/download>)



Photovoltaic connector, Range of articles: PV-CF-S, Connector, housing material: PPE, color: black, number of positions: 1, min. conductor cross section: 6 mm², max. conductor cross section: 16 mm², rated current: 40 A, Connection method: Spring-cage, Type of contact: Socket. can only be released using a tool

Key Commercial Data

Packing unit	25 pc
GTIN	 4 046356 607421
GTIN	4046356607421

Technical data

Dimensions

External cable diameter	5.5 mm ... 10 mm
-------------------------	------------------

Ambient conditions

Degree of protection (when plugged in)	IP66 / IP68 (2 m / 24 h)
Ambient temperature (operation)	-40 °C ... 85 °C
Ambient temperature (assembly)	-25 °C ... 50 °C

General

Design	Socket
Tightening torque nut	3 Nm ±0.1 Nm
Insertion force	45 N ±10 N
Disconnect force	250 N ±50 N (when locked)
Pull-out force of cable >= disconnect force	> 500 N
Insertion/withdrawal cycles	100
Rated voltage	1500 V
Rated current (6.0 mm ²)	40 A
Rated current (10 mm ²)	50 A
Rated current (16 mm ²)	65 A
Nominal cross section	16 mm ²

Connector - PV-CF-S 6-16 (+) - 1790784

Technical data

General

Protection class	II
------------------	----

Material

Color	black
Insulating material	mPPE
Contact material	Cu
Contact surface material	Ag
Flammability rating according to UL 94	V0

Connection data

Connection method	Spring-cage
Connection capacity	6 mm ² ... 16 mm ²
Contact resistance with connected conductor	0.45 mΩ
Stripping length	18 mm
Cable type	PV1-F cables

Standards and Regulations

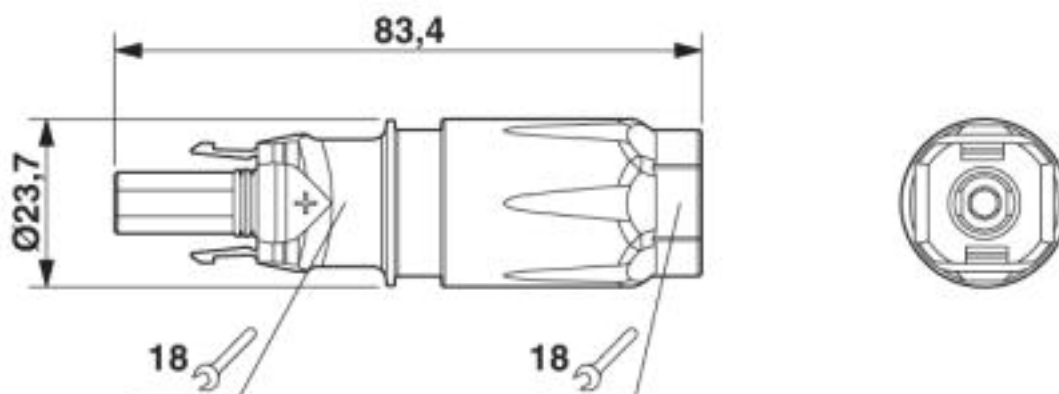
Halogen-free	yes
Flammability rating according to UL 94	V0

Environmental Product Compliance

China RoHS	Environmentally friendly use period: unlimited = EFUP-e
	No hazardous substances above threshold values

Drawings

Dimensional drawing



Approvals

Approvals

Connector - PV-CF-S 6-16 (+) - 1790784


Approvals


Approvals

TÜV Rheinland / EAC

Ex Approvals

Approval details

TÜV Rheinland		http://www.certipedia.com	R 60126961
Nominal voltage UN		1500 V	

EAC		B.01742
-----	--	---------

Phoenix Contact 2019 © - all rights reserved
<http://www.phoenixcontact.com>

PHOENIX CONTACT GmbH & Co. KG
Flachsmarktstr. 8
32825 Blomberg
Germany
Tel. +49 5235 300
Fax +49 5235 3 41200
<http://www.phoenixcontact.com>