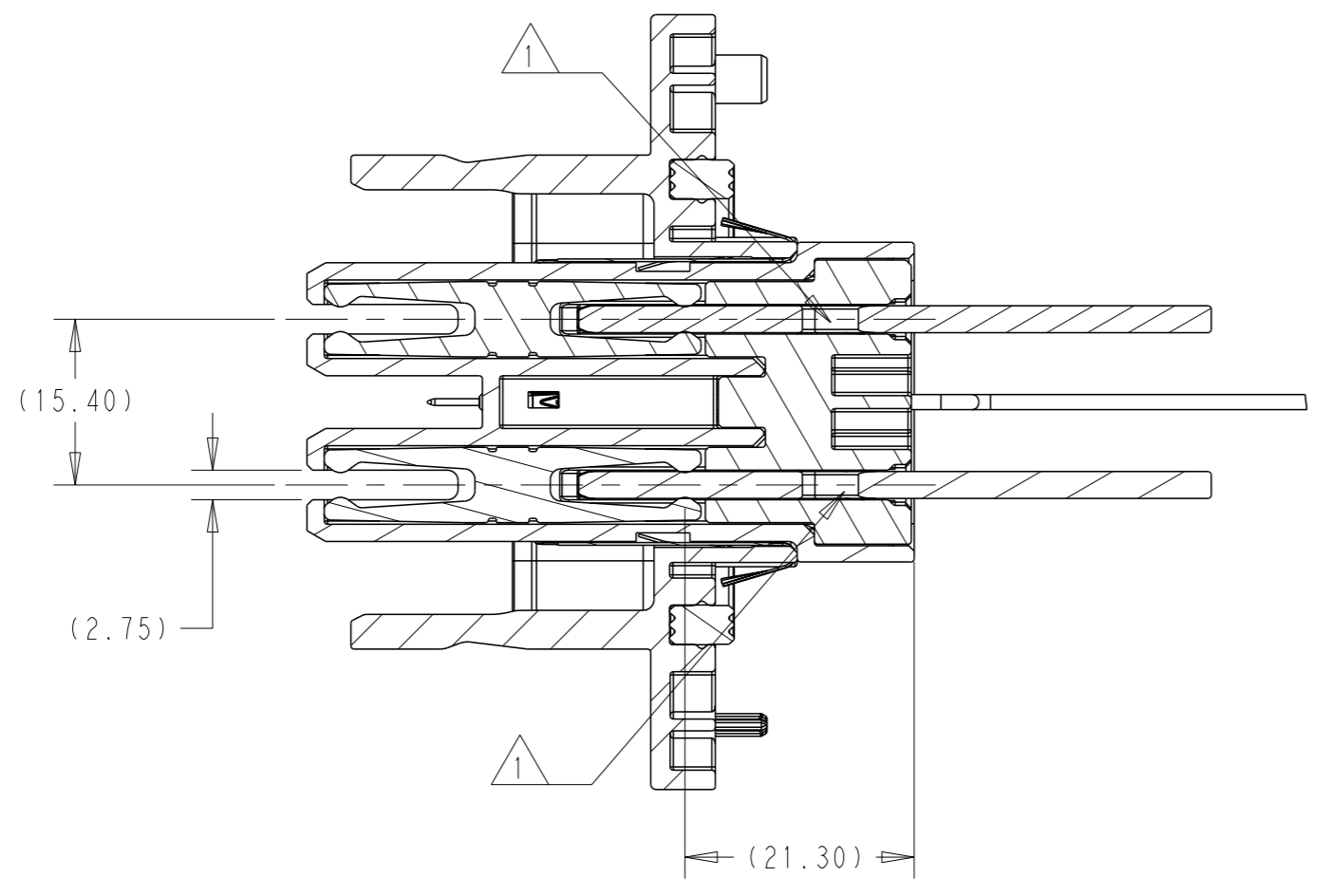
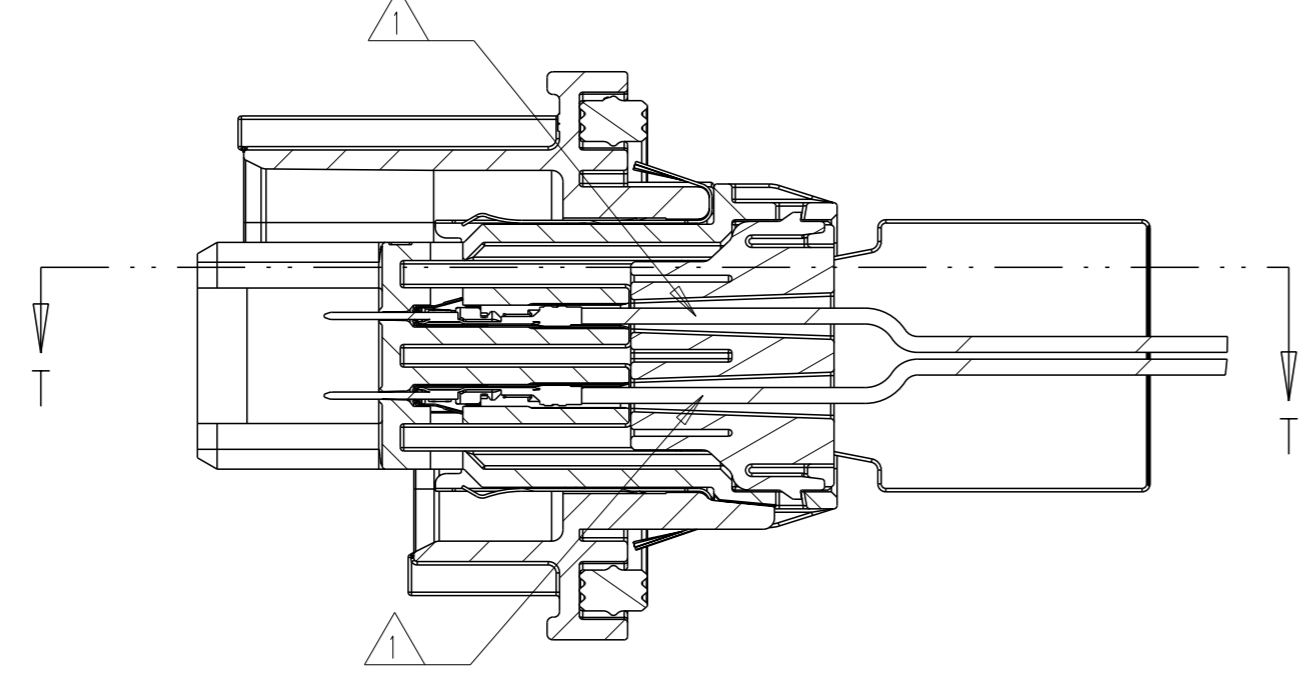


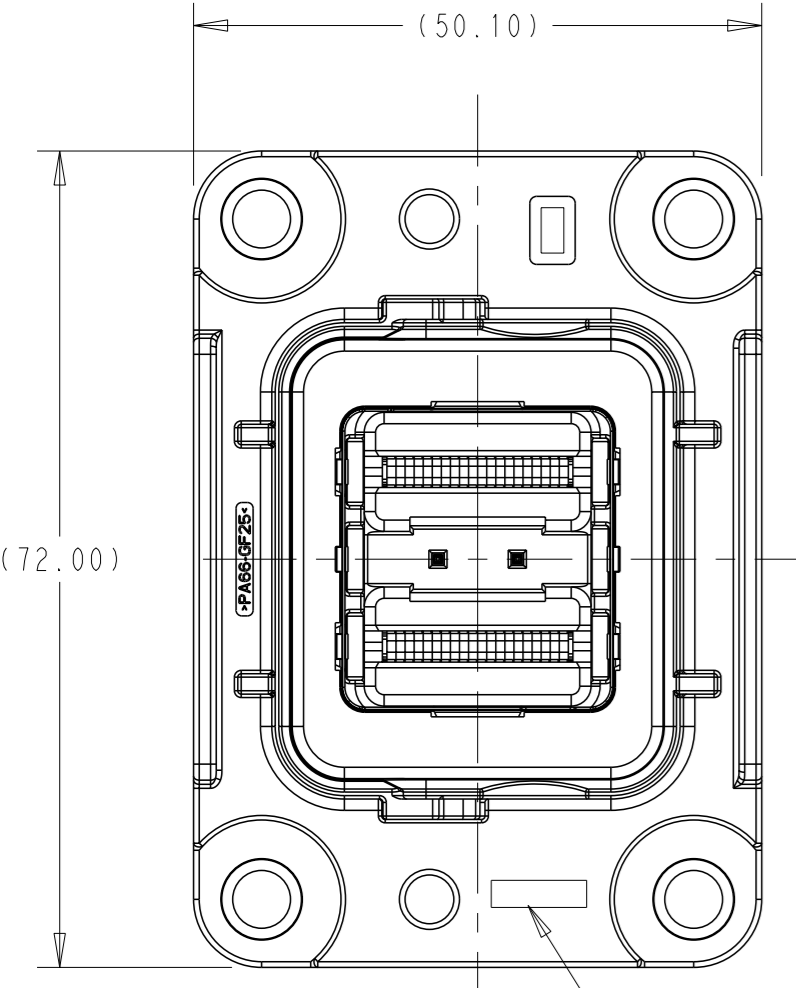
REVISIONS				
P	LY#	DESCRIPTION	DATE	OWN APVD
A		INITIAL RELEASE	26AUG2020	GTG PK



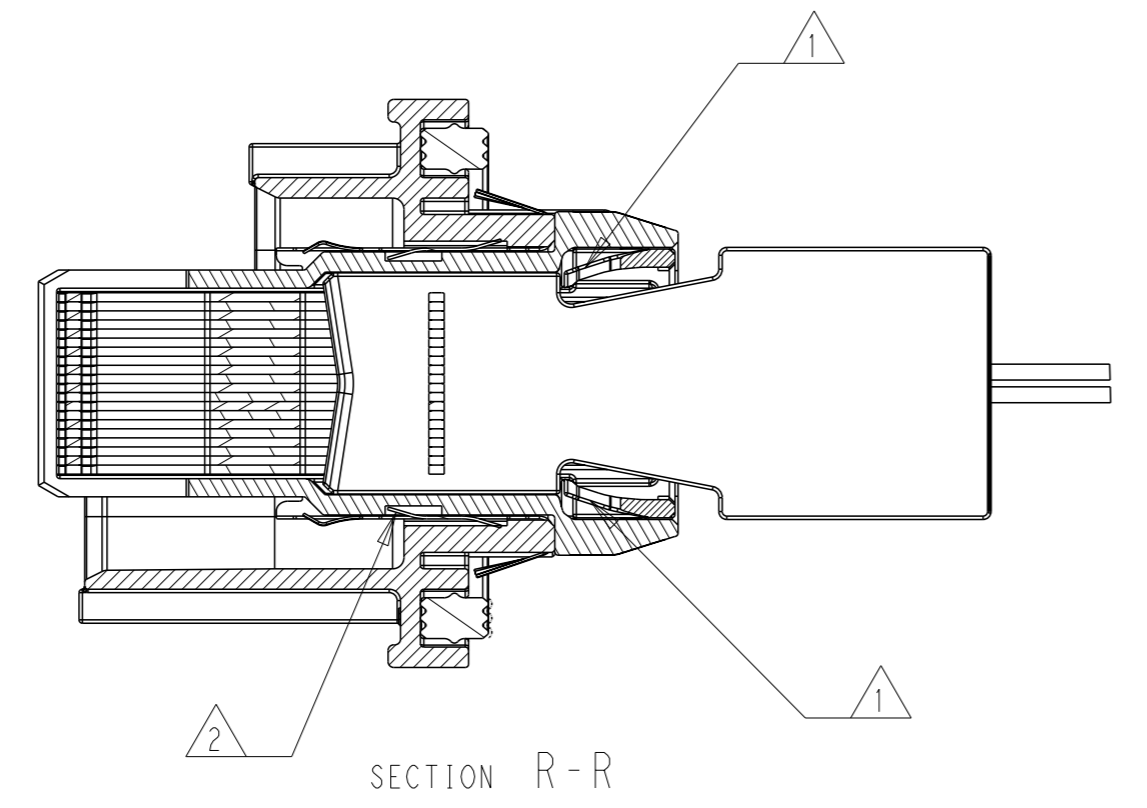
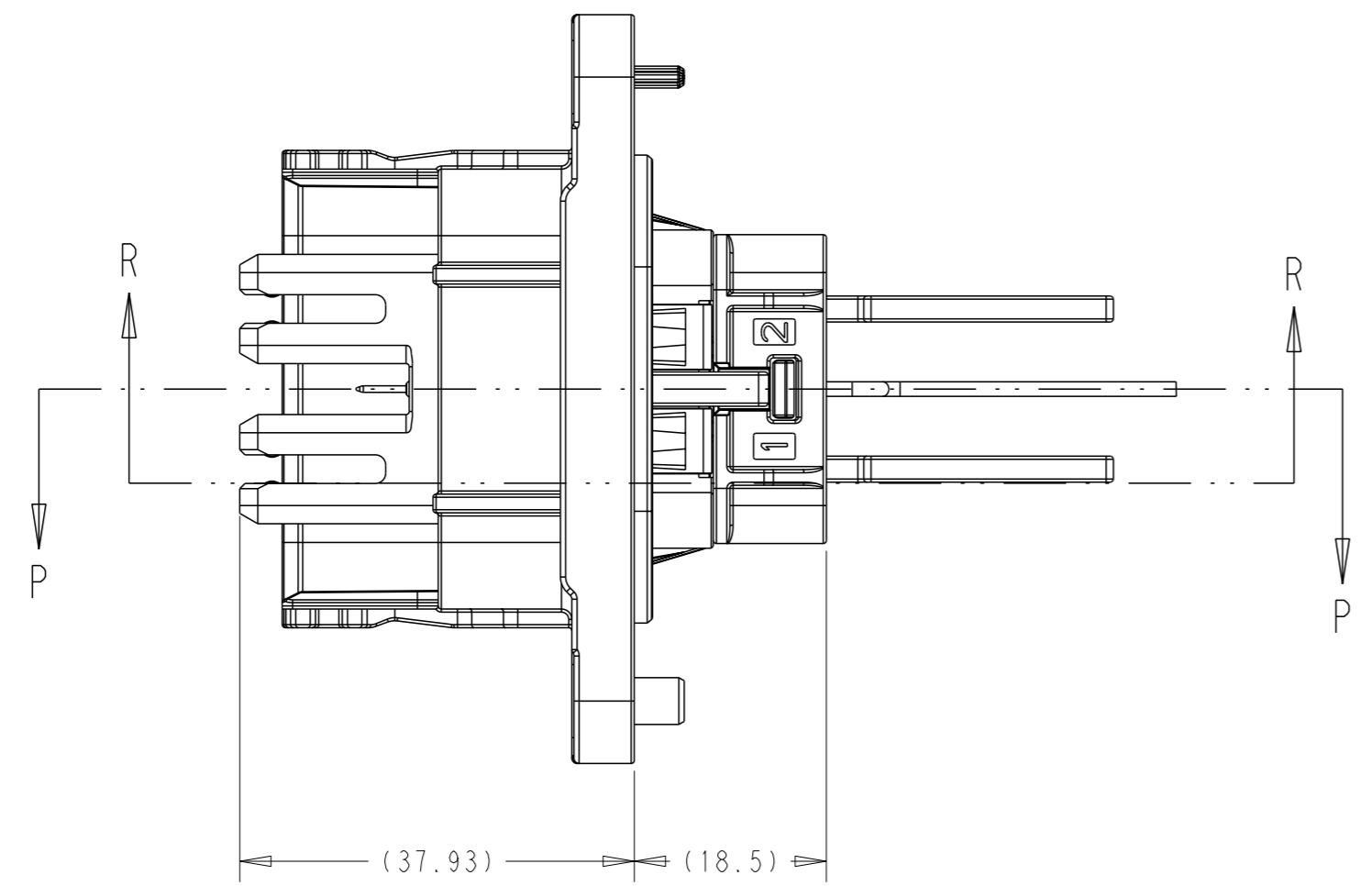
SECTION T-T



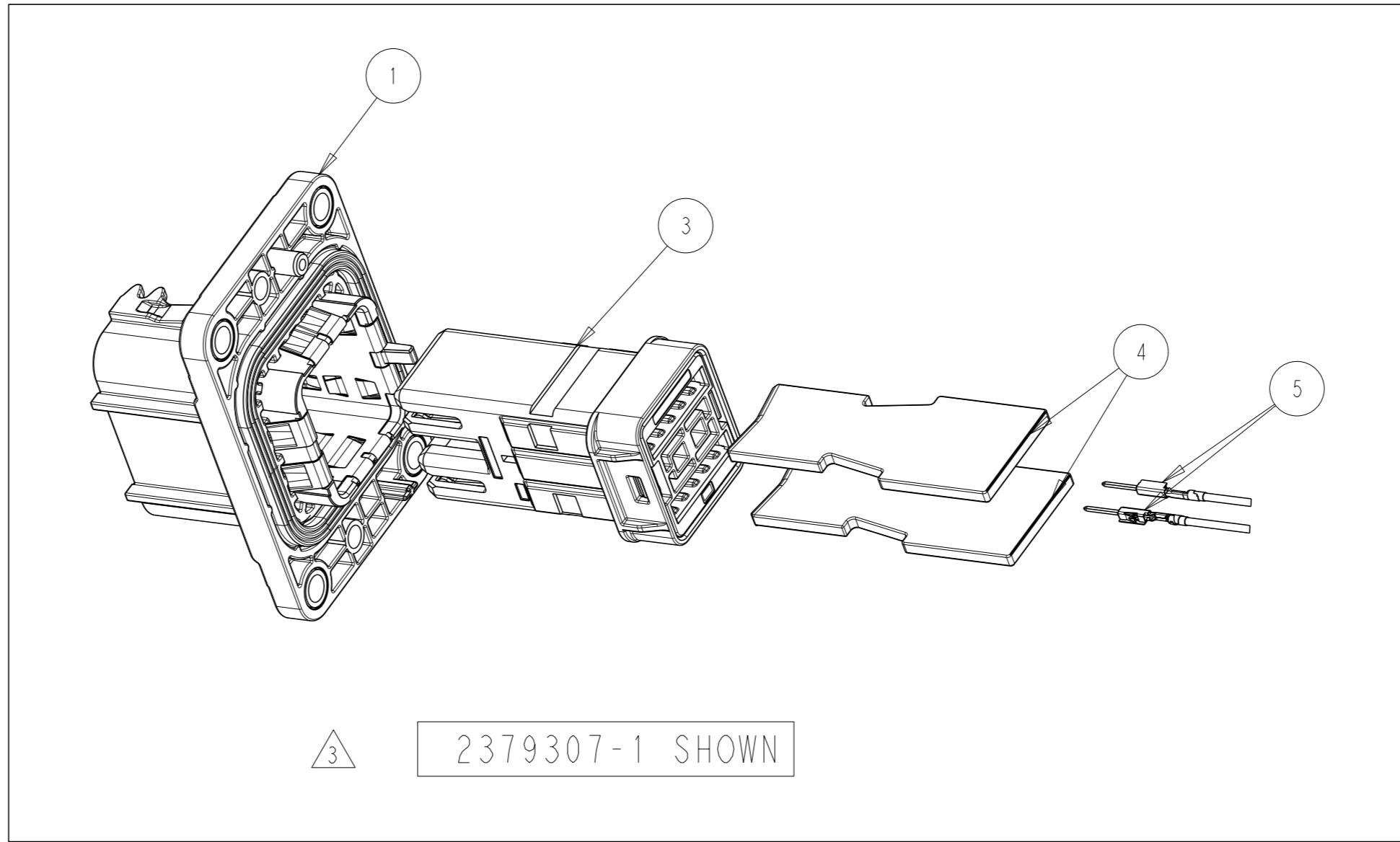
SECTION P-P



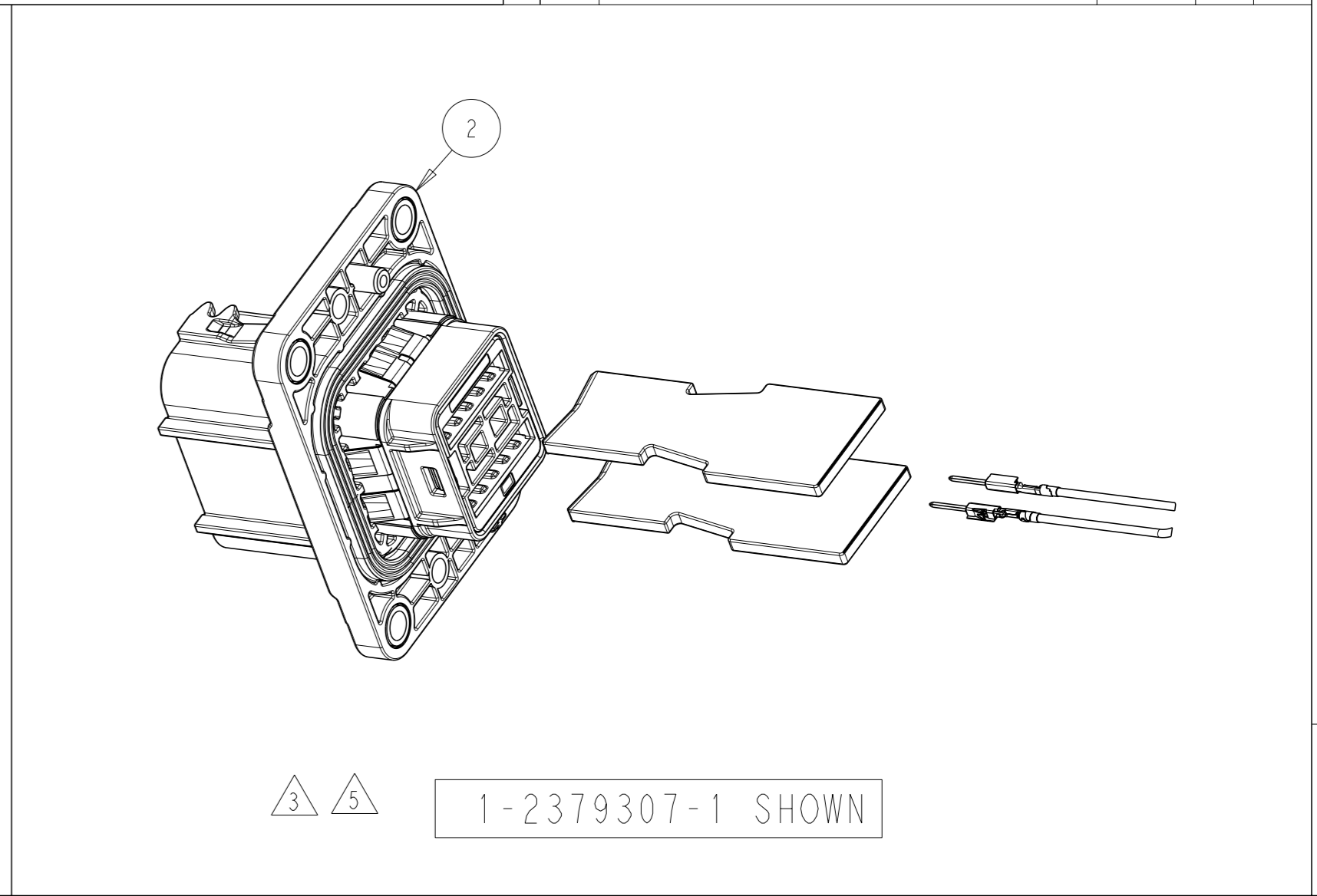
SCALE 3:2



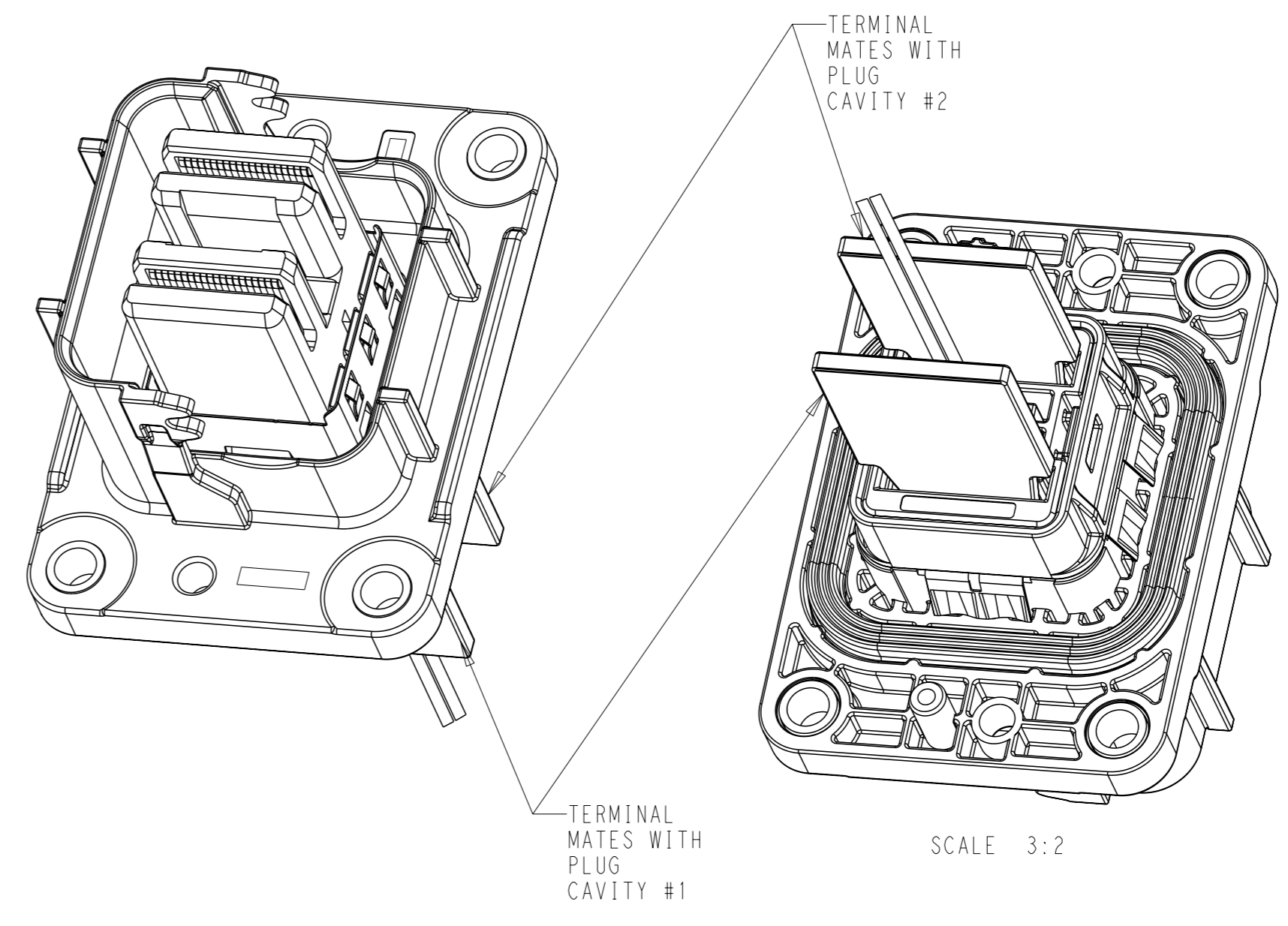
SECTION R-R



2379307-1 SHOWN



1-2379307-1 SHOWN



SCALE 3:2

- 1 ALL TERMINALS MUST BE FULLY SEATED AND LOCKED IN POSITION.
- 2 SHIELD LOCKED TO INNER HOUSING 6 PLACES.
- 3 THESE CONFIGURATIONS ARE NOT AVAILABLE FULLY ASSEMBLED AS SHOWN. SEE INSTRUCTION MANUAL 408-160030 FOR DETAILS. INDIVIDUAL COMPONENTS OR SUB-ASSEMBLIES LISTED IN THE PARTS LIST ARE AVAILABLE SEPARATELY FROM TE. CONSULT INDIVIDUAL CUSTOMER DRAWING FOR PART RELEASE STATUS.
- 4 PART NUMBER AND JULIAN DATE CODE LASER MARKED IN THIS AREA
- 5 THIS CONFIGURATION HAS THE INNER HEADER SUB-ASSEMBLY PRE-ASSEMBLED TO THE HEADER SUB-ASSEMBLY.

2	2	2	2	PC	5-963716-3	MQS TERMINAL	5
2	2	2	2	PC	2360888-1	TAB TERMINAL	4
-	-	1	1	PC	2359563-1	INNER HEADER SUB-ASSY	3
1	-	-	-	PC	2380367-2	HEADER ASSY, 4-BOLT	2
-	1	-	-	PC	2380367-1		
-	-	1	-	PC	3-2343034-2	HEADER SUB-ASSY, 4-BOLT	1
-	-	-	1	PC	3-2343034-1		
1-2379307-2 KEY-B	1-2379307-1 KEY-A	2379307-2 KEY-B	2379307-1 KEY-A	U/M	PART NO	DESCRIPTION	ITEM NO
				CONFIGURATION			
QTY REQ PER ASSY				PART LIST			

THIS DRAWING IS A CONTROLLED DOCUMENT.

OWN: GIRISH IG 26AUG2020
CHK: P. KOLHATKAR 27AUG2020
APVD: D. RHEIN 27AUG2020

TE Connectivity

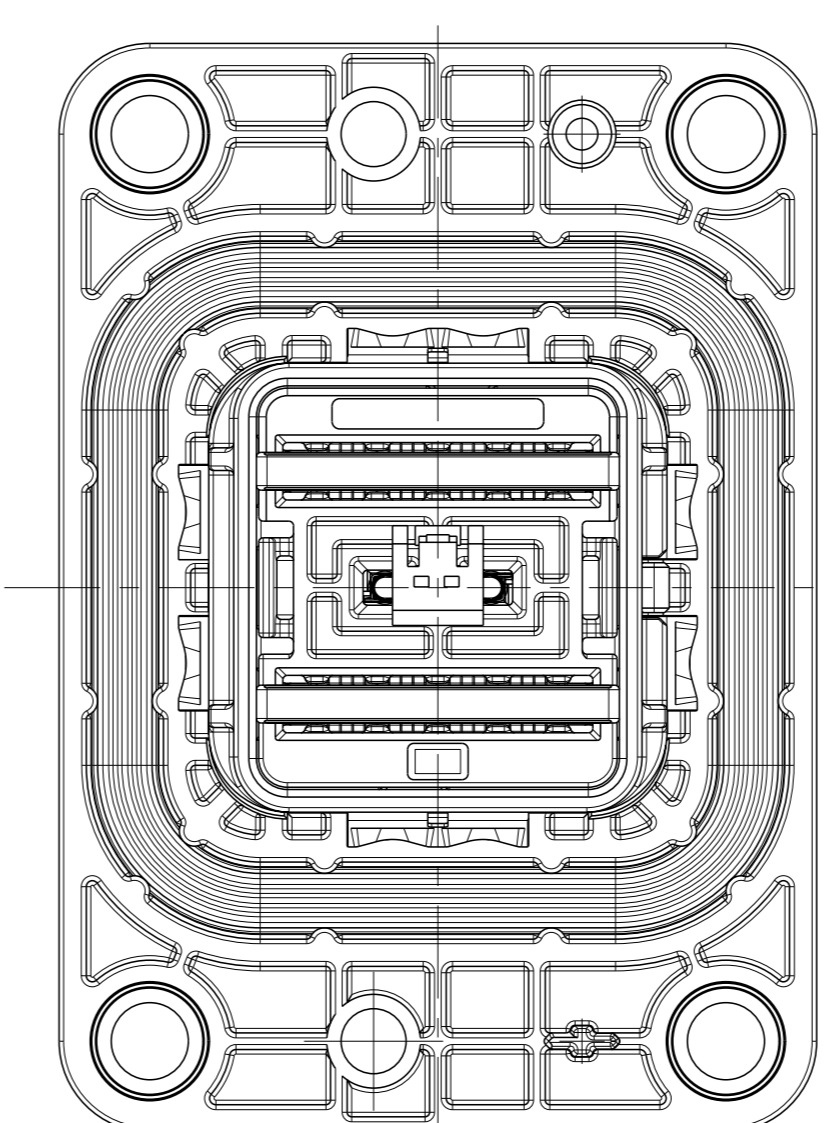
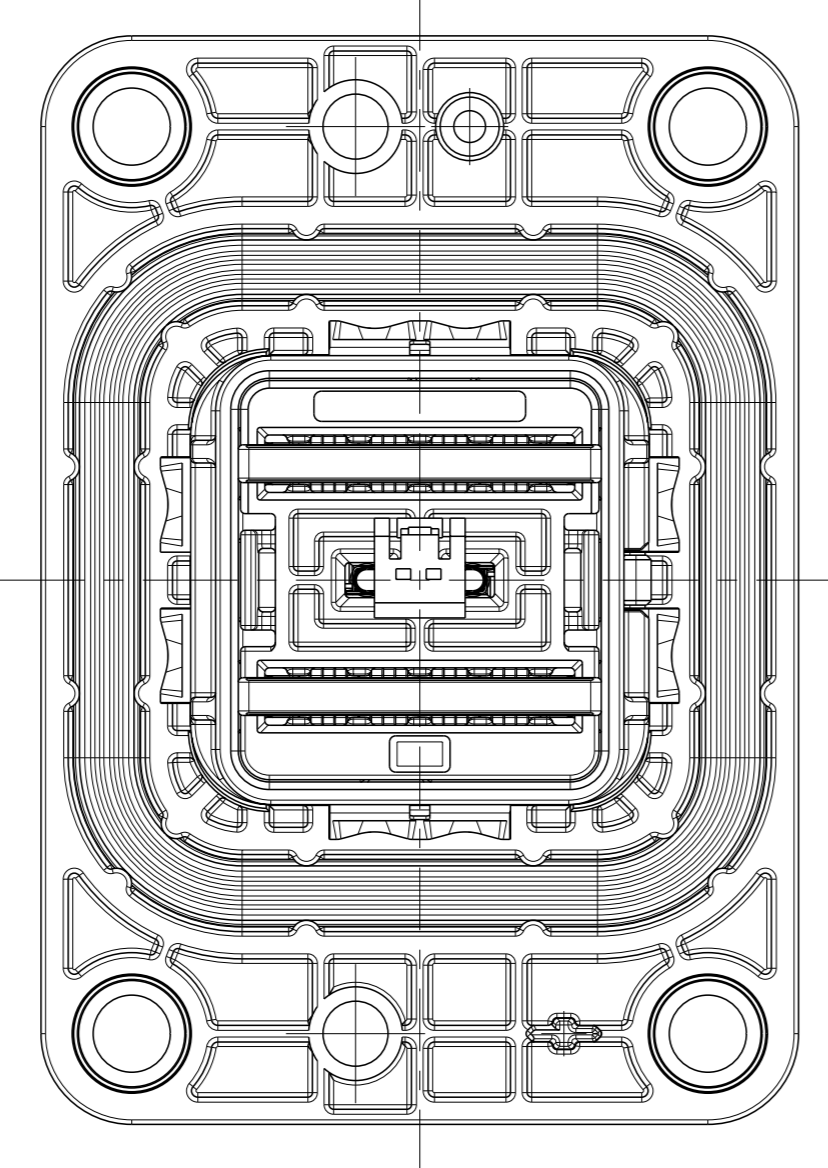
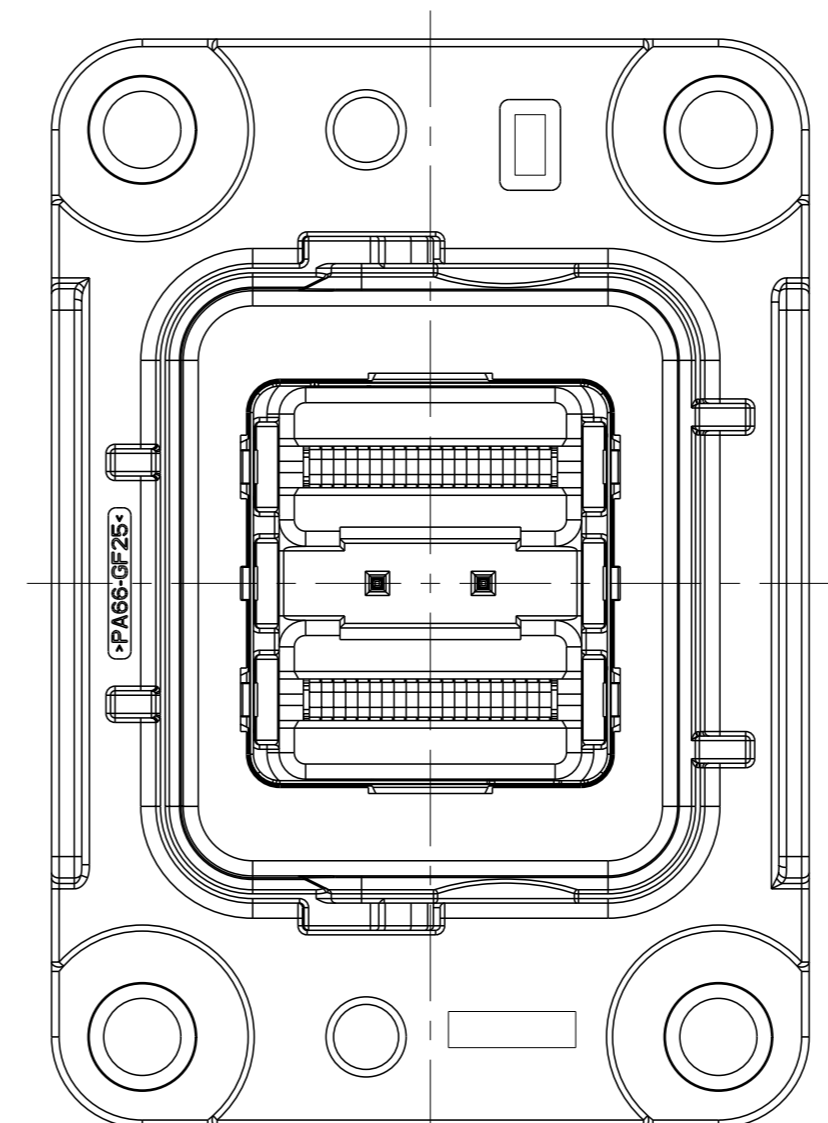
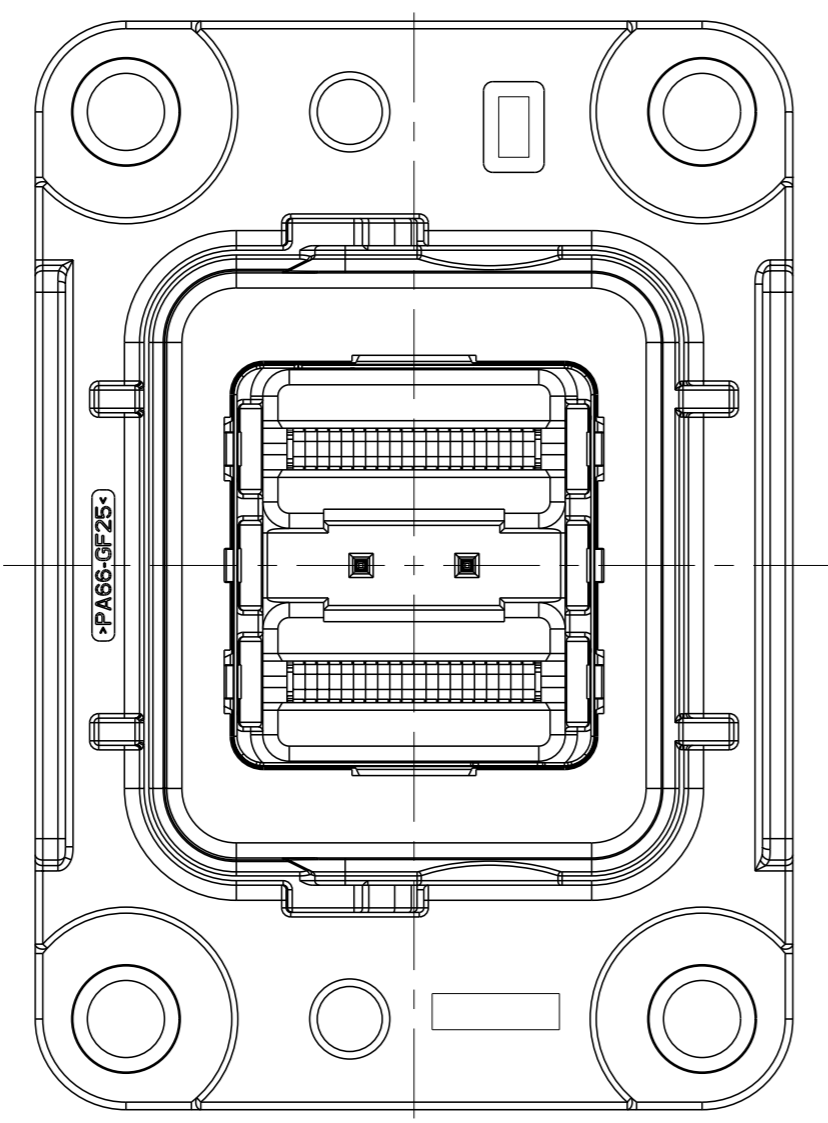
NAME: HDR OUTER HSG ASSY
2POS, HC-STAK 25
REFERENCE DRAWING

SIZE: CAGE CODE DRAWING NO: 00779
DRAWING NO: 2379307

RESTRICTED TO: A

SCALE: 1:1 SHEET 1 OF 2 REV A

REVISIONS				
P	LYR	DESCRIPTION	DATE	APVD
-		SEE SHEET 1	-	-



2379307-1
1-2379307-1
KEY-A

2379307-2
1-2379307-2
KEY-B

THIS DRAWING IS A CONTROLLED DOCUMENT.		OWN: GIRISH IG 26AUG2020														
DIMENSIONS: mm		CHK: P. KOLHATKAR 27AUG2020														
<table border="1"> <tr> <th>TOLERANCES UNLESS OTHERWISE SPECIFIED</th> <th>APVD</th> </tr> <tr> <td>0 PLC ±0.1</td> <td>D. RHEIN 27AUG2020</td> </tr> <tr> <td>1 PLC ±0.05</td> <td></td> </tr> <tr> <td>2 PLC ±0.01</td> <td></td> </tr> <tr> <td>3 PLC ±0.001</td> <td></td> </tr> <tr> <td>4 PLC ±0.0001</td> <td></td> </tr> <tr> <td>ANGLES FINISH</td> <td></td> </tr> </table>		TOLERANCES UNLESS OTHERWISE SPECIFIED	APVD	0 PLC ±0.1	D. RHEIN 27AUG2020	1 PLC ±0.05		2 PLC ±0.01		3 PLC ±0.001		4 PLC ±0.0001		ANGLES FINISH		NAME: HDR OUTER HSG ASSY 2POS, HC-STAK 25 REFERENCE DRAWING
TOLERANCES UNLESS OTHERWISE SPECIFIED	APVD															
0 PLC ±0.1	D. RHEIN 27AUG2020															
1 PLC ±0.05																
2 PLC ±0.01																
3 PLC ±0.001																
4 PLC ±0.0001																
ANGLES FINISH																
MATERIAL: -	WEIGHT: -	SIZE: A CAGE CODE: 00779 DRAWING NO: 2379307	RESTRICTED TO: -													
CUSTOMER DRAWING		SCALE: 2:1	SHEET 2 OF 2 REV A													