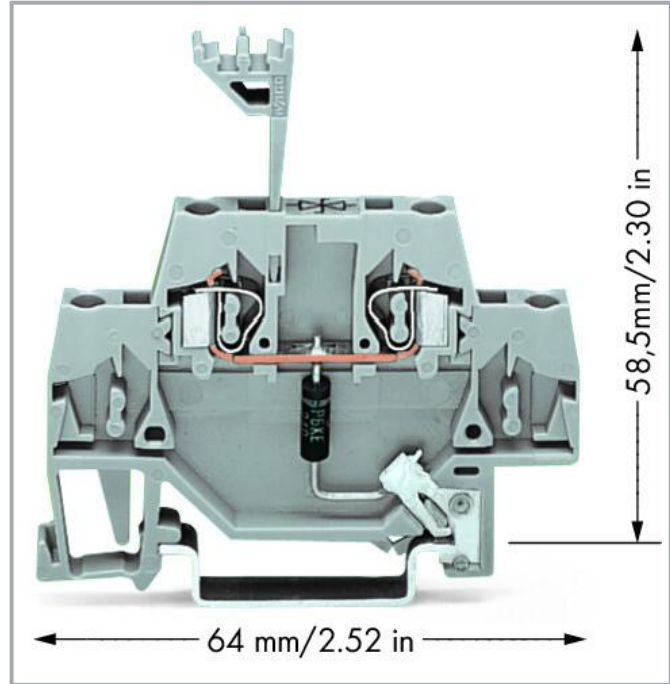
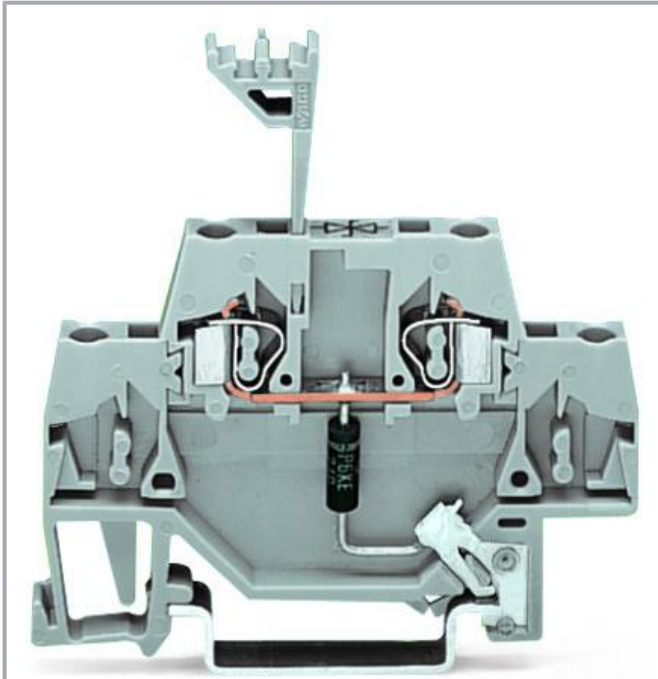


Data sheet | Item number: 280-502/281-608

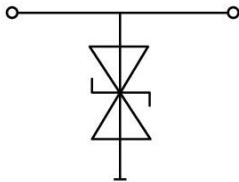
Component terminal block; double-deck; with direct connection to DIN rail; with P6KE400CA TVS diode; 230 VAC; for DIN-rail 35 x 15 and 35 x 7.5; 2.5 mm²; CAGE CLAMP®; 2,50 mm²; gray

www.wago.com/280-502/281-608



i Picture differs from the item.

Color:



Item description

Short description:

WAGO's component terminal block with single-stage surge suppression device and direct connection to DIN-35 rail is equipped with a TVS diode.

Features:

Subject to changes. Please also observe the further product documentation!

WAGO GmbH & Co. KG
Hansastr. 27
32423 Minden
Phone: +49571 887-0 | Fax: +49571 887-169
Email: info.de@wago.com | Web: www.wago.com

Do you have any questions about our products?
We are always happy to take your call at +49 (571) 887-44222.



- Protect your system against overvoltage
- Slim, space-saving design
- Control operational costs by preventing expensive, unplanned downtime
- High operational reliability and system uptime

Data

Electrical data

| | |
|---|------------|
| Nominal operating voltage | AC 230 V |
| Highest continuous voltage | AC 253 V |
| Rated continuous current | 20 A |
| Nominal discharge current (10/1000 µs) (line) | 1.1 A |
| Protection level (10/1000 µs) | ≤ AC 548 V |
| Capacitance | ≤ 360 pF |

Connection data

| | |
|-------------------------|--|
| Connections (number) | 2 |
| Connection technology | CAGE CLAMP® |
| Solid conductor | 0.08 ... 2.5 mm ² / 28 ... 14 AWG |
| Fine-stranded conductor | 0.08 ... 2.5 mm ² / 28 ... 14 AWG |
| Strip length | 8 ... 9 mm / 0.31 ... 0.35 inches |

Physical data

| | |
|------------------------------------|------------------------|
| Width | 5 mm / 0.197 inches |
| Height from upper-edge of DIN-rail | 58.5 mm / 2.303 inches |
| Depth | 64 mm / 2.52 inches |

Mechanical Data

| | |
|---------------|------------------------------------|
| Design | with direct connection to DIN-rail |
| Mounting type | DIN-35 rail |

Material Data

| | |
|-----------------------------|------------------|
| Color | gray |
| Insulation material | Polyamide (PA66) |
| Material group | I |
| Flammability class per UL94 | V0 |

Subject to changes. Please also observe the further product documentation!

| | |
|-----------|----------|
| Fire load | 0.246 MJ |
| Weight | 8.3 g |

Environmental requirements

| | |
|------------------------|----------------|
| Processing temperature | -35 ... +85 °C |
|------------------------|----------------|

Commercial data



| | |
|-----------------------|----------------------------------|
| Product Group | 1 (Rail Mounted Terminal Blocks) |
| eCl@ss 10.0 | 27-14-11-27 |
| eCl@ss 9.0 | 27-14-11-27 |
| ETIM 8.0 | EC000903 |
| ETIM 7.0 | EC000903 |
| PU (SPU) | 50 pcs |
| Packaging type | box |
| Country of origin | DE |
| GTIN | 4045454604844 |
| Customs tariff number | 85369010000 |

Environmental Product Compliance

| | |
|------------------------|-------------------------|
| RoHS Compliance Status | Compliant, No Exemption |
|------------------------|-------------------------|


Required accessories

End plate







| | | |
|--|---|--|
| End plate | | |
|  | Item no.: 280-341 End and intermediate plate; 2.5 mm thick; orange | www.wago.com/280-341 |
|  | Item no.: 280-340 End and intermediate plate; 2.5 mm thick; gray | www.wago.com/280-340 |

Optional accessories

Marking accessories

| | | |
|--|--|--|
| Marker | | |
|  | Item no.: 2009-115 WMB-Inline; for Smart Printer; 1500 pieces on roll; stretchable 5 - 5.2 mm; plain; snap-on type; white | www.wago.com/2009-115 |


Subject to changes. Please also observe the further product documentation!

| | | |
|--|--|--|
|  | Item no.: 793-501 WMB marking card; as card; not stretchable; plain; snap-on type; white | www.wago.com/793-501 |
|  | Item no.: 793-502 WMB marking card; as card; MARKED; 1 ... 10 (10x); not stretchable; Horizontal marking; snap-on type; white | www.wago.com/793-502 |
|  | Item no.: 793-503 WMB marking card; as card; MARKED; 11 ... 20 (10x); not stretchable; Horizontal marking; snap-on type; white | www.wago.com/793-503 |
|  | Item no.: 793-504 WMB marking card; as card; MARKED; 21 ... 30 (10x); not stretchable; Horizontal marking; snap-on type; white | www.wago.com/793-504 |
|  | Item no.: 793-505 WMB marking card; as card; MARKED; 31 ... 40 (10x); not stretchable; Horizontal marking; snap-on type; white | www.wago.com/793-505 |
|  | Item no.: 793-506 WMB marking card; as card; MARKED; 41 ... 50 (10x); not stretchable; Horizontal marking; snap-on type; white | www.wago.com/793-506 |

Jumpers

| | | |
|--|---|--|
| Jumper | | |
|  | Item no.: 280-492 Jumper; 2-way; insulated; gray | www.wago.com/280-492 |
|  | Item no.: 280-482 Jumper; 2-way; insulated; gray | www.wago.com/280-482 |
|  | Item no.: 280-484 Jumper; 4-way; insulated; gray | www.wago.com/280-484 |
|  | Item no.: 280-490 Jumper; 10-way; insulated; gray | www.wago.com/280-490 |
|  | Item no.: 280-485 Jumper; 5-way; insulated; gray | www.wago.com/280-485 |
|  | Item no.: 280-483 Jumper; 3-way; insulated; gray | www.wago.com/280-483 |

Tool

| | | |
|--|--|--|
| Operating tool | | |
|  | Item no.: 210-720 Operating tool; Blade: 3.5 x 0.5 mm; with a partially insulated shaft; multicoloured | www.wago.com/210-720 |

Insulation stop

| | | |
|-----------------|--|--|
| Insulation stop | | |
|-----------------|--|--|

Subject to changes. Please also observe the further product documentation!



Item no.: 280-472
Insulation stop; 0.75 - 1 mm²; 5 pieces/strip; black

www.wago.com/280-472



Item no.: 280-470
Insulation stop; 0.08 - 0.2 mm² "s" (0.14 mm² "f-st"); 5 pieces/strip; white

www.wago.com/280-470



Item no.: 280-471
Insulation stop; 0.25 - 0.5 mm²; 5 pieces/strip; light gray

www.wago.com/280-471

Downloads

Documentation

Bid Text

| | | | |
|--------------------------------|-------------|----------------|----------|
| 280-502/281-608 X81 - Datei | 2019 Feb 19 | xml 3.4 kB | Download |
| 280-502/281-608 doc - Datei | 2015 Feb 11 | doc 26.1 kB | Download |

Additional Information

| | | | |
|---|------------------------|---------------|----------|
| Disposal and Recycling Electrical and electronic equipment, Batteries, Packaging | V 1.1.0 2022 Aug 18 | pdf 2.2 MB | Download |
|---|------------------------|---------------|----------|

CAD/CAE-Data

CAD data

| | | |
|------------------------------|-----|----------|
| 2D/3D Models 280-502/281-608 | URL | Download |
|------------------------------|-----|----------|

CAE data

| | | |
|-----------------------------------|-----|----------|
| EPLAN Data Portal 280-502/281-608 | URL | Download |
| WSCAD Universe 280-502/281-608 | URL | Download |
| ZUKEN Portal 280-502/281-608 | URL | Download |
| WSCAD Universe 280-502/281-608 | URL | Download |
| EPLAN Data Portal 280-502/281-608 | URL | Download |

Subject to changes. Please also observe the further product documentation!

WAGO GmbH & Co. KG
Hansastr. 27
32423 Minden
Phone: +49571 887-0 | Fax: +49571 887-169
Email: info.de@wago.com | Web: www.wago.com

Do you have any questions about our products?
We are always happy to take your call at +49 (571) 887-44222.



Environmental Product Compliance

Compliance Search

Environmental Product Compliance 280-502/281-608

URL

Download

Component terminal block; double-deck; with direct connection to DIN rail; with P6KE400CA TVS diode; 230 VAC; for DIN-rail 35 x 15 and 35 x 7.5; 2.5 mm²; CAGE CLAMP®; 2,50 mm²; gray

Installation Notes

Subject to changes. Please also observe the further product documentation!

WAGO GmbH & Co. KG

Hansastr. 27

32423 Minden

Phone: +49571 887-0 | Fax: +49571 887-169

Email: info.de@wago.com | Web: www.wago.com

Do you have any questions about our products?

We are always happy to take your call at +49 (571) 887-44222.