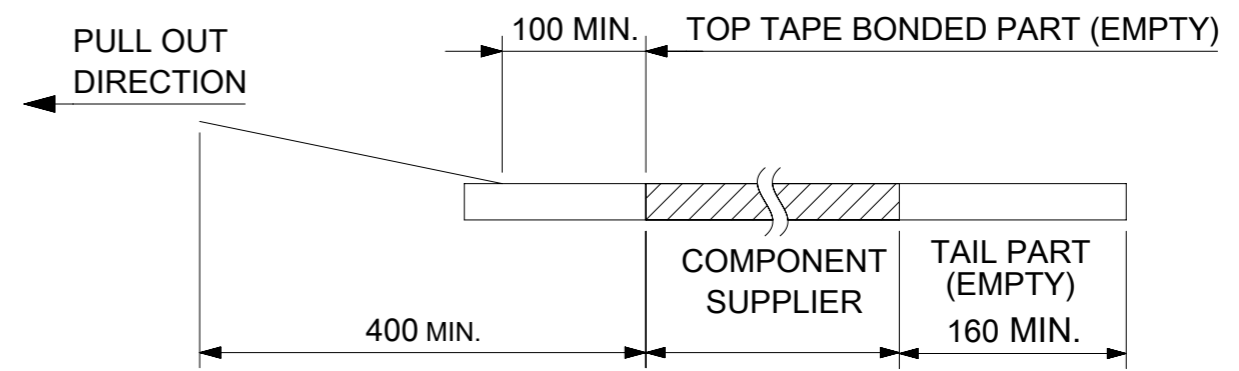
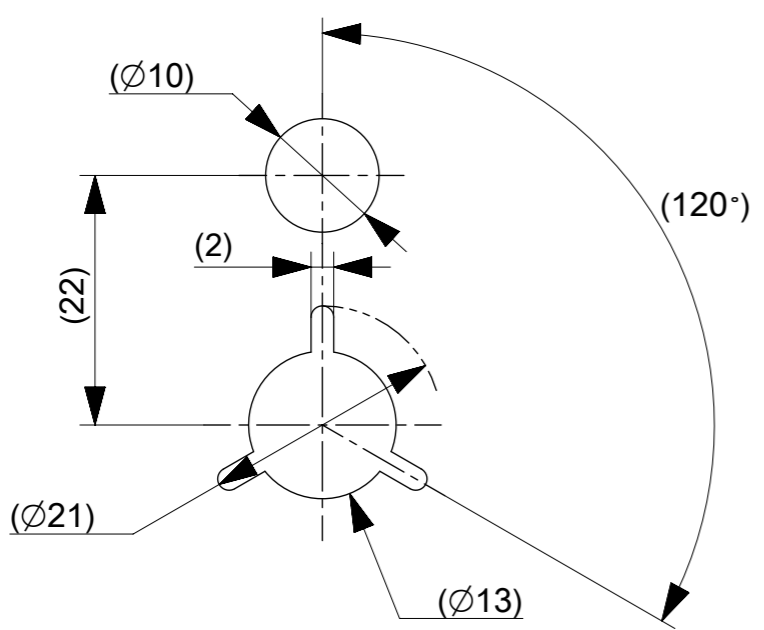


- NOTES
1. FOR DIMENSION OF PRODUCT, REFER TO PRODUCT DRAWING.
 2. NUMBER OF CONNECTORS : 7000 PCS/REEL
 3. LEAD TAPE LENGTH



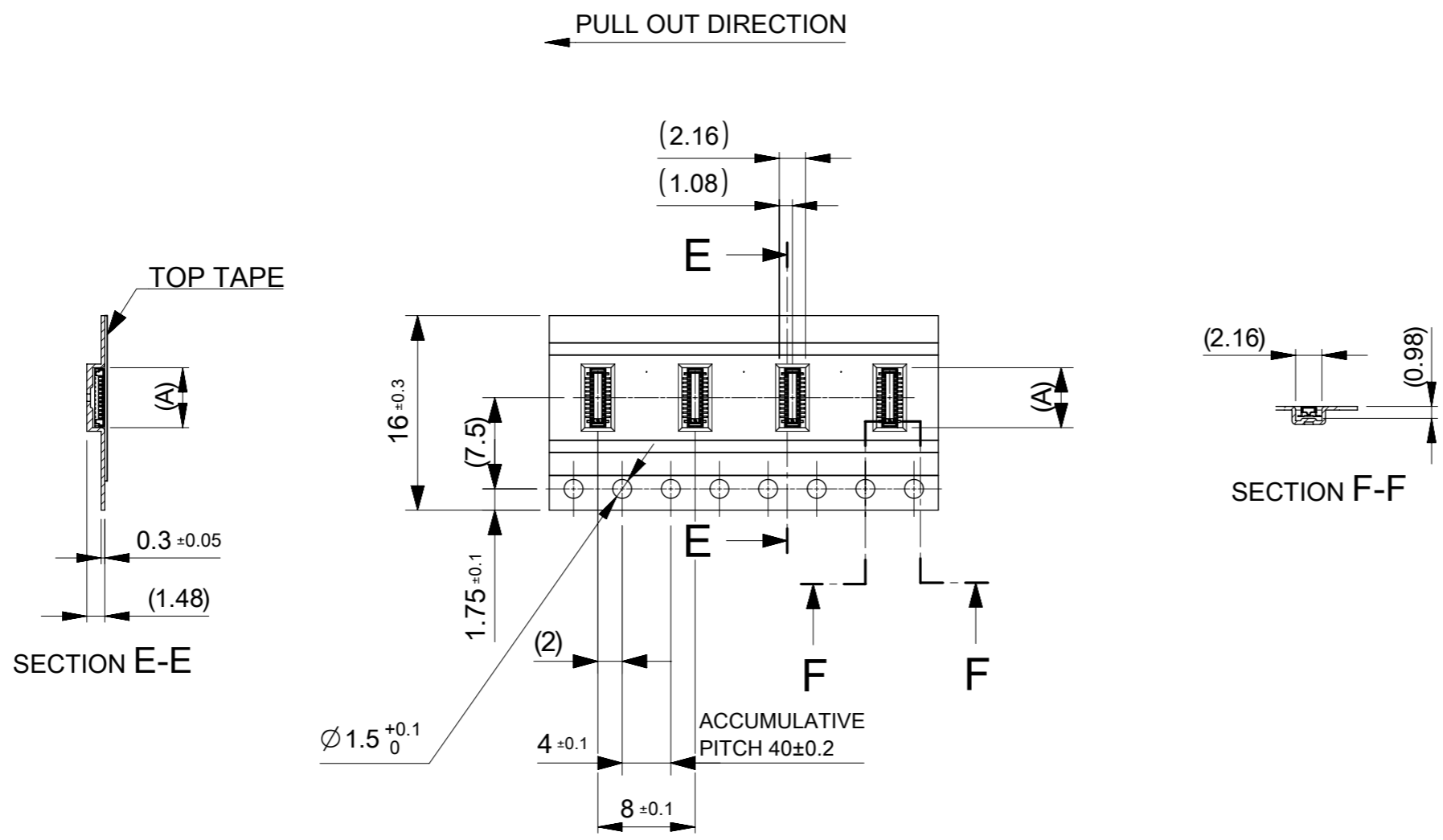
4. TOP TAPE PEEL FORCE IS DEFINED BY IEC60286-3.
5. MATERIAL
 CARRIER TAPE : POLYSTYRENE
 TOP TAPE : PET , OTHER
 REEL : POLYSTYRENE (PS) < RECYCLE MATERIAL CONTAINED >



DETAIL "D"

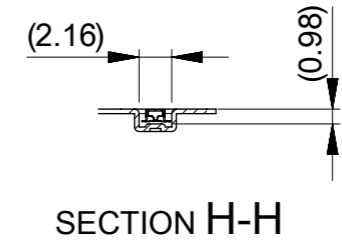
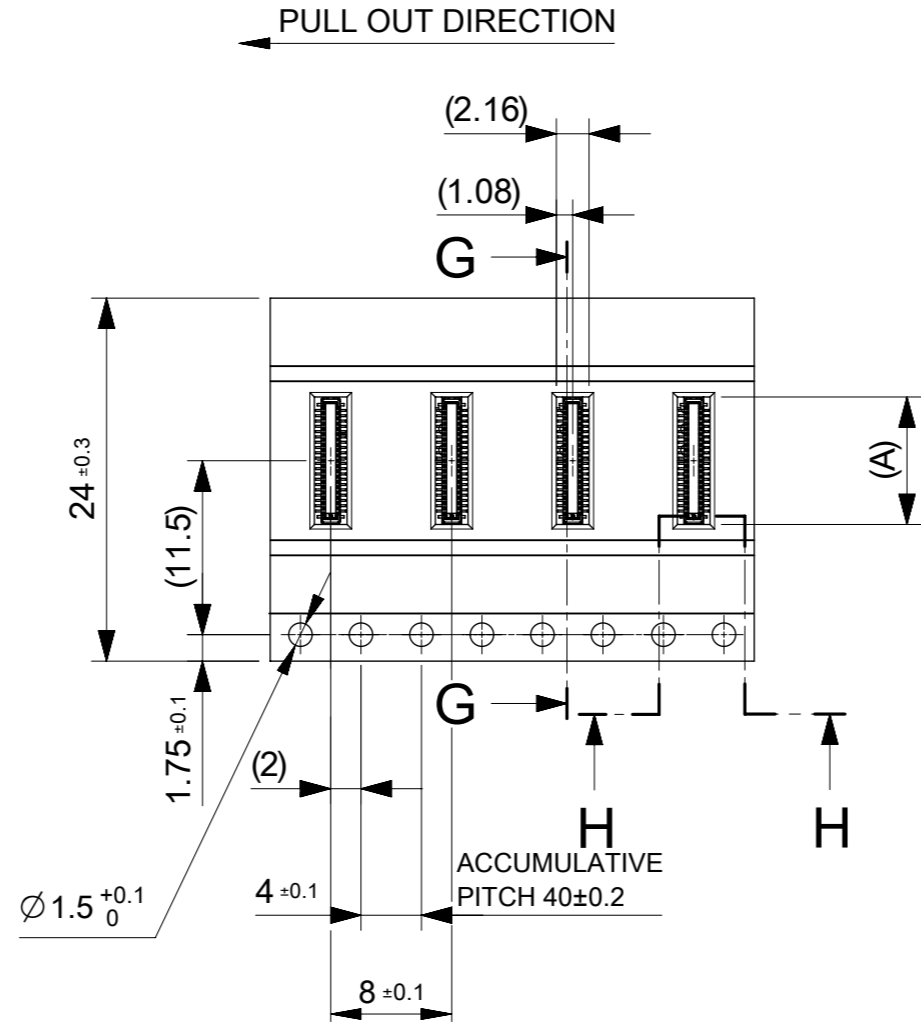
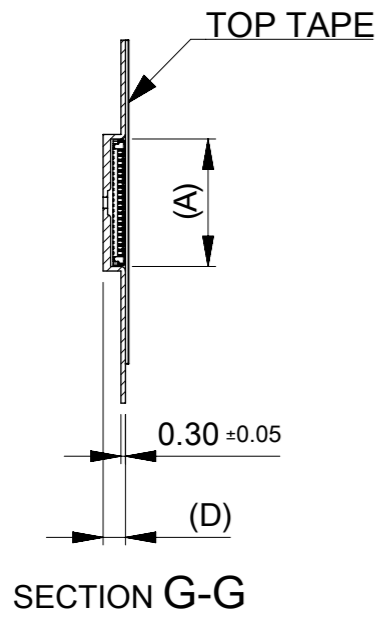
CONNECTOR SERIES NO. 505417**09

THIS DRAWING CONTAINS INFORMATION THAT IS PROPRIETARY TO MOLEX ELECTRONIC TECHNOLOGIES, LLC AND SHOULD NOT BE USED WITHOUT WRITTEN PERMISSION									
DIMENSION UNITS		SCALE		CURRENT REV DESC:				molex	
mm		NTS							
GENERAL TOLERANCES (UNLESS SPECIFIED)				0.35 BB H=1.0 SSB10RP PLUG EMBSTP PKG					
ANGULAR TOL				± 3.0 °					
4 PLACES		± 0.03		EC NO: 733067		2022/12/21		PRODUCT CUSTOMER DRAWING	
3 PLACES		± 0.03		DRWN: NASIMO		2022/12/22		DOCUMENT NUMBER	
2 PLACES		± 0.05		CHK'D: YKOBAYASHI02		2022/12/23		DOC TYPE	
1 PLACE		± 0.1		APPR: KSASAKI		2022/12/23		DOC PART	
0 PLACES		± 0.2		INITIAL REVISION:				REVISION	
DRAFT WHERE APPLICABLE MUST REMAIN WITHIN DIMENSIONS		THIRD ANGLE PROJECTION		DRWN: NNAKAZAWA		2016/03/16		5054170000	
				APPR: KMORIKAWA		2016/04/26		PSD 000 J	
				DRAWING		SERIES		MATERIAL NUMBER	
				A3-SIZE		505417		CUSTOMER	
								SEE CHART	
								GENERAL	
								SHEET NUMBER	
								1 OF 3	



16	21.4	17.4	6.68	5054173010	○	---	30
			4.23	5054171610	○	---	16
			3.88	5054171410	○	---	14
			2.43	5054170610	○	---	6
キャリアテープ幅 CARRIER TAPE WIDTH	C	B	(A)	EMBOSSED TAPE PACKAGE	HIGH VOL. TOOL	LOW VOL. TOOL	CIRCUIT
ORDER NO.	SAMPLE PREPARATION ○:TOOLED △:WOOK IN PROCESS ---:TOOLING TO BE CONFIRMED						

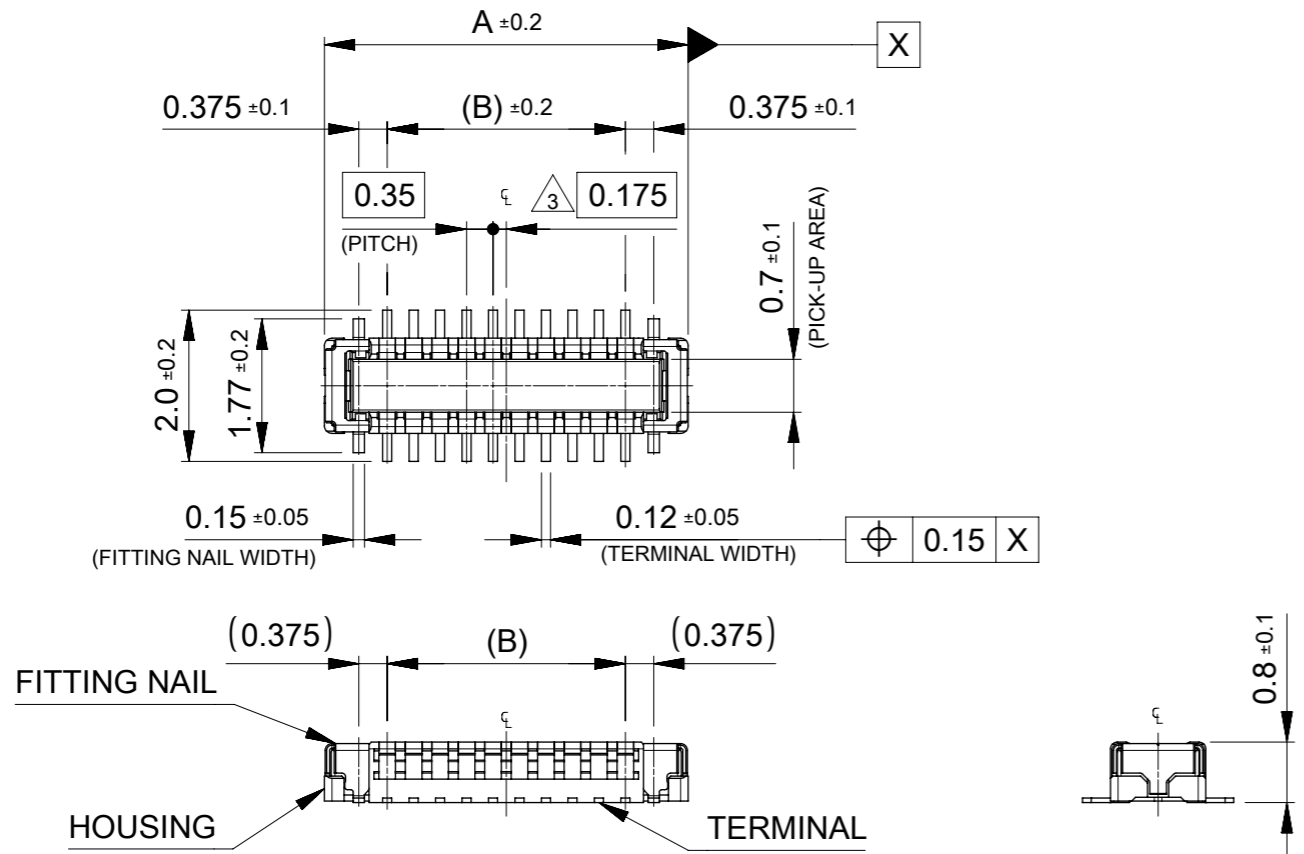
THIS DRAWING CONTAINS INFORMATION THAT IS PROPRIETARY TO MOLEX ELECTRONIC TECHNOLOGIES, LLC AND SHOULD NOT BE USED WITHOUT WRITTEN PERMISSION										
DIMENSION UNITS	SCALE	CURRENT REV DESC:								
mm	NTS	molex 0.35 BB H=1.0 SSB10RP PLUG EMBSTP PKG PRODUCT CUSTOMER DRAWING								
GENERAL TOLERANCES (UNLESS SPECIFIED)										
ANGULAR TOL	± 3.0 °	EC NO: 733067		2022/12/21		DOCUMENT NUMBER		DOC TYPE	DOC PART	REVISION
4 PLACES	± 0.03	DRWN: NASIMO		2022/12/22		5054170000		PSD	000	J
3 PLACES	± 0.03	CHK'D: YKOBAYASHI02		2022/12/23		MATERIAL NUMBER		CUSTOMER		
2 PLACES	± 0.05	APPR: KSASAKI		2022/12/23		2016/03/16		GENERAL		
1 PLACE	± 0.1	INITIAL REVISION:		2016/04/26		SERIES		SHEET NUMBER		
0 PLACES	± 0.2	DRWN: NNAKAZAWA		2016/04/26		A3-SIZE		2 OF 3		
DRAFT WHERE APPLICABLE MUST REMAIN WITHIN DIMENSIONS		THIRD ANGLE PROJECTION		DRAWING		MATERIAL NUMBER		CUSTOMER		
				A3-SIZE		505417		SEE CHART		



24	1.48	29.4	25.4	11.93	5054176010	○	---	60
	1.41			8.43	5054174010	○	---	40
	1.48			7.38	5054173410	○	---	34
キャリアテープ幅 CARRIER TAPE WIDTH	(D)	C	B	(A)	EMBOSSED TAPE PACKAGE	HIGH VOL. TOOL	LOW VOL. TOOL	CIRCUIT
					ORDER NO.	SAMPLE PREPARATION ○:TOOLED △:WOOK IN PROCESS ---:TOOLING TO BE CONFIRMED		

THIS DRAWING CONTAINS INFORMATION THAT IS PROPRIETARY TO MOLEX ELECTRONIC TECHNOLOGIES, LLC AND SHOULD NOT BE USED WITHOUT WRITTEN PERMISSION

DIMENSION UNITS mm	SCALE NTS	CURRENT REV DESC:		molex				
GENERAL TOLERANCES (UNLESS SPECIFIED)		EC NO: 733067						0.35 BB H=1.0 SSB10RP PLUG EMBSTP PKG
ANGULAR TOL	± 3.0 °	DRWN: NASIMO		2022/12/21				
4 PLACES	± 0.03	CHK'D: YKOBAYASHI02		2022/12/22				
3 PLACES	± 0.03	APPR: KSASAKI		2022/12/23				
2 PLACES	± 0.05	INITIAL REVISION:		PRODUCT CUSTOMER DRAWING				
1 PLACE	± 0.1	DRWN: NNAKAZAWA		2016/03/16		DOCUMENT NUMBER		
0 PLACES	± 0.2	APPR: KMORIKAWA		2016/04/26		5054170000		
DRAFT WHERE APPLICABLE MUST REMAIN WITHIN DIMENSIONS	THIRD ANGLE PROJECTION	DRAWING	SERIES	MATERIAL NUMBER	CUSTOMER	DOC TYPE	DOC PART	REVISION
		A3-SIZE	505417	SEE CHART	GENERAL	PSD	000	J
								SHEET NUMBER 3 OF 3



14.76	14.16	11.90	13.56	5054177010	---	---	70
13.71	13.11	10.85	12.51	5054176410	---	---	64
13.01	12.41	10.15	11.81	5054176010	○	---	60
11.96	11.36	9.10	10.76	5054175410	---	---	54
11.26	10.66	8.40	10.06	5054175010	---	---	50
10.91	10.31	8.05	9.71	5054174810	---	---	48
10.56	9.96	7.70	9.36	5054174610	---	---	46
9.86	9.26	7.00	8.66	5054174210	---	---	42
9.51	8.91	6.65	8.31	5054174010	○	---	40
8.46	7.86	5.60	7.26	5054173410	○	---	34
7.76	7.16	4.90	6.56	5054173010	○	---	30
6.71	6.11	3.85	5.51	5054172410	---	---	24
6.36	5.76	3.50	5.16	5054172210	---	---	22
6.01	5.41	3.15	4.81	5054172010	---	---	20
5.66	5.06	2.80	4.46	5054171810	---	---	18
5.31	4.71	2.45	4.11	5054171610	○	---	16
4.96	4.36	2.10	3.76	5054171410	○	---	14
4.61	4.01	1.75	3.41	5054171210	---	---	12
4.26	3.66	1.40	3.06	5054171010	---	---	10
3.56	2.96	0.70	2.36	5054170610	○	---	6

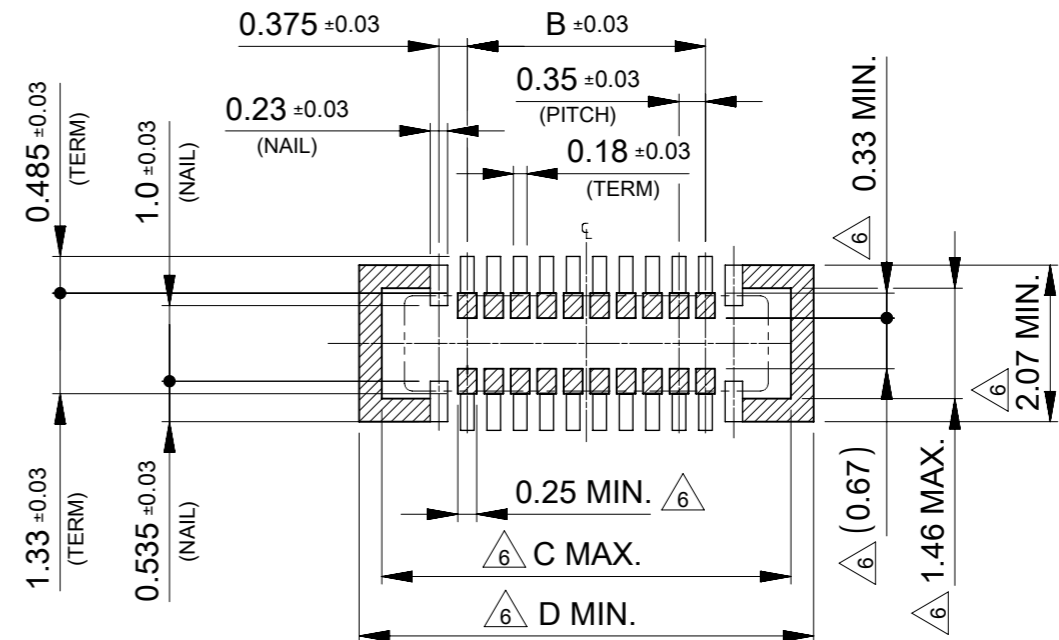
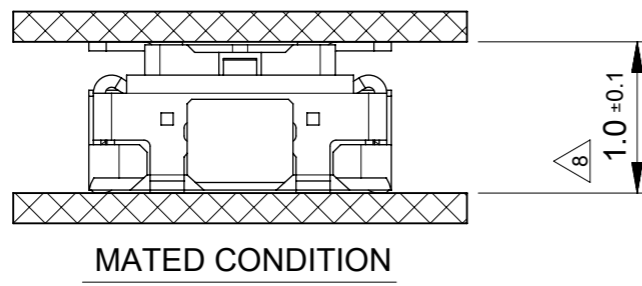
NOTES

- MATERIAL**
HOUSING : LIQUID CRYSTAL POLYMER UL94V-0 (COLOR : BLACK)
TERMINAL : COPPER ALLOY
FITTING NAIL : COPPER ALLOY
- PLATING**
TERMINAL :
GOLD
UNDER PLATING NICKEL
*DIVIDE INTO PARTS THE GOLD PLATING OF CONTACT AND THE TAIL PART BY THE NICKEL PLATING.
FITTING NAIL :
GOLD(ONLY CONTACT AND TAIL PART)
UNDER PLATING NICKEL
- APPLY FOR (CIRCUIT/2)=EVEN
- MATE WITH : 505413**10
- TAIL AND FITTING NAIL COPLANARITY TO BE 0.08MAXIMUM.
- PROHIBITED AREA OF PATTERN WIRING AND SOLDER.
(FOR EACH AREA, THE WIRING THAT TOUCHES ON THE SOLDER CAN BE ATTACHED, THEN COVERED WITH A FILM TO KEEP SOLDER OUT.)
- ELV and RoHS COMPLIANT.
- THIS DIMENSION SHOWS THE DIMENSION BETWEEN SOLDERING SURFACE OF SOLDER TAILS.

D	C	B	A	EMBOSSED TAPE PACKAGE	MASS PRODUCTION	LOW VOL. TOOL	CIRCUIT
				ORDER No.	SMAPLE PREPARATION ○: TOOLED △: WORK IN PROCESS ---: TOOLING TO BE CONFIRMED		
				CONNECTOR No. : 505417**09			

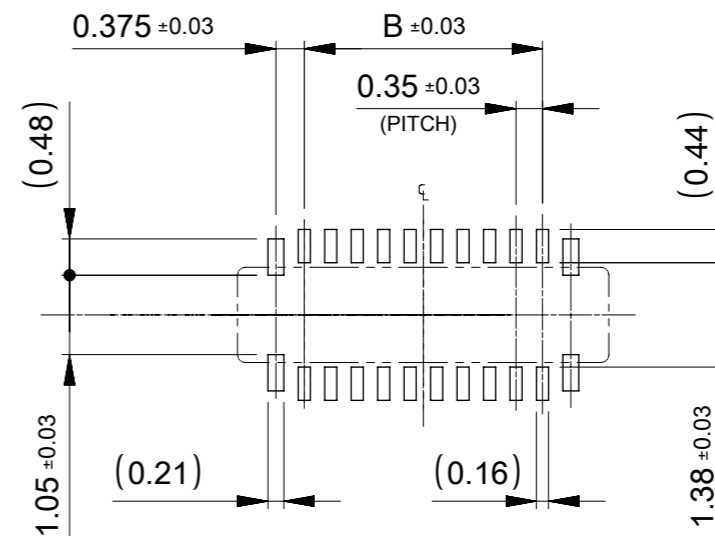
THIS DRAWING CONTAINS INFORMATION THAT IS PROPRIETARY TO MOLEX ELECTRONIC TECHNOLOGIES, LLC AND SHOULD NOT BE USED WITHOUT WRITTEN PERMISSION

DIMENSION UNITS mm	SCALE 10:1	CURRENT REV DESC:		molex			
GENERAL TOLERANCES (UNLESS SPECIFIED)		EC NO: 733067					0.35 BB CONN. H=1.0 SSB10RP PLUG ASSY
ANGULAR TOL ± 3.0°	4 PLACES ± 0.03	DRWN: NASIMO 2022/12/21		PRODUCT CUSTOMER DRAWING			
3 PLACES ± 0.03	2 PLACES ± 0.05	CHK'D: YKOBAYASHI02 2022/12/22		DOCUMENT NUMBER			
1 PLACE ± 0.1	0 PLACES ± 0.2	APPR: KSASAKI 2022/12/23		5054171000			
DRAFT WHERE APPLICABLE MUST REMAIN WITHIN DIMENSIONS		THIRD ANGLE PROJECTION	DRAWING	SERIES	MATERIAL NUMBER	CUSTOMER	SHEET NUMBER
			A3-SIZE	505417	SEE CHART	GENERAL	1 OF 2



RECOMMENDED P.W.BOARD PATTERN LAYOUT (REFERENCE)

6 PROHIBITED AREA OF PATTERN WIRING AND SOLDER.
(FOR EACH AREA, THE WIRING THAT TOUCHES ON THE SOLDER CAN BE ATTACHED, THEN COVERED WITH A FILM TO KEEP SOLDER OUT.)



RECOMMENDED METAL MASK LAYOUT (REFERENCE)

RECOMMENDED THICKNESS OF METAL MASK : t=0.08mm

RECOMMENDED OPEN APERTURE RATIO OF METAL MASK : 80%

THIS DRAWING CONTAINS INFORMATION THAT IS PROPRIETARY TO MOLEX ELECTRONIC TECHNOLOGIES, LLC AND SHOULD NOT BE USED WITHOUT WRITTEN PERMISSION									
DIMENSION UNITS		SCALE		CURRENT REV DESC:				molex	
mm		10:1							
GENERAL TOLERANCES (UNLESS SPECIFIED)				EC NO: 733067				0.35 BB CONN. H=1.0 SSB10RP PLUG ASSY	
ANGULAR TOL ± 3.0 °				DRWN: NASIMO 2022/12/21				PRODUCT CUSTOMER DRAWING	
4 PLACES ± 0.03				CHK'D: YKOBAYASHI02 2022/12/22					
3 PLACES ± 0.03				APPR: KSASAKI 2022/12/23				DOCUMENT NUMBER	
2 PLACES ± 0.05				INITIAL REVISION:					
1 PLACE ± 0.1				DRWN: HONO01 2016/04/25				5054171000	
0 PLACES ± 0.2				APPR: KMORIKAWA 2016/04/26				PSD 000 G	
DRAFT WHERE APPLICABLE MUST REMAIN WITHIN DIMENSIONS		THIRD ANGLE PROJECTION		DRAWING		SERIES		SHEET NUMBER	
				A3-SIZE		505417		2 OF 2	