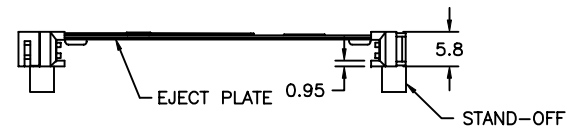
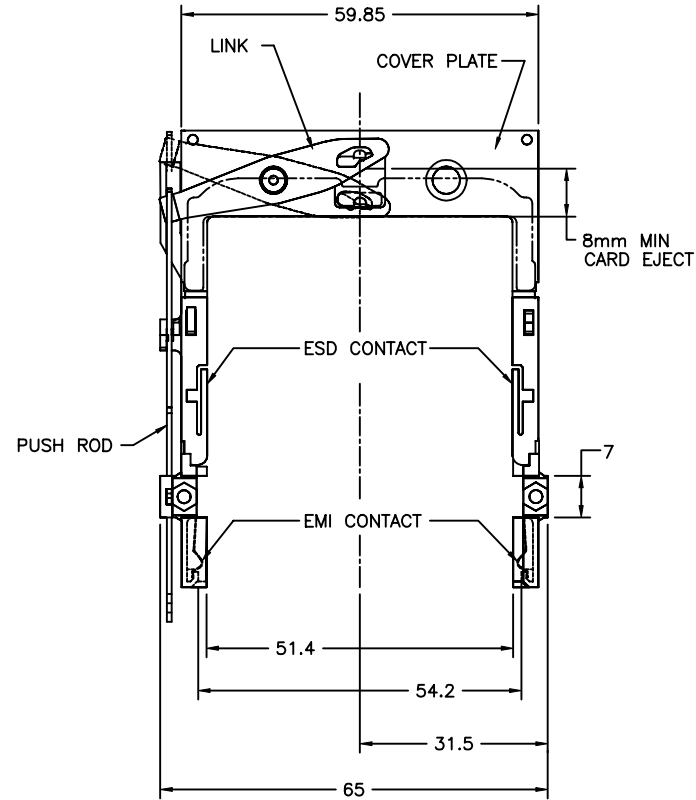
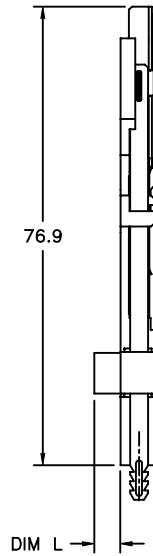


Tous droits strictement reserves. Reproduction ou communication a des tiers interdite sous quelque forme que ce soit sans autorisation ecrite du proprietaire. Propriete de c FCI. Droits de reproduction FCI.

All rights strictly reserved. Reproduction or issue to third parties in any form whatever is not permitted without written authority from the proprietor. Property of FCI. Copyright FCI.

PRODUCT NO.	STAND-OFF DIM L
58449-100	0.0
58449-143	4.3
58449-122	2.2
58449-150	5.0



NOTES:

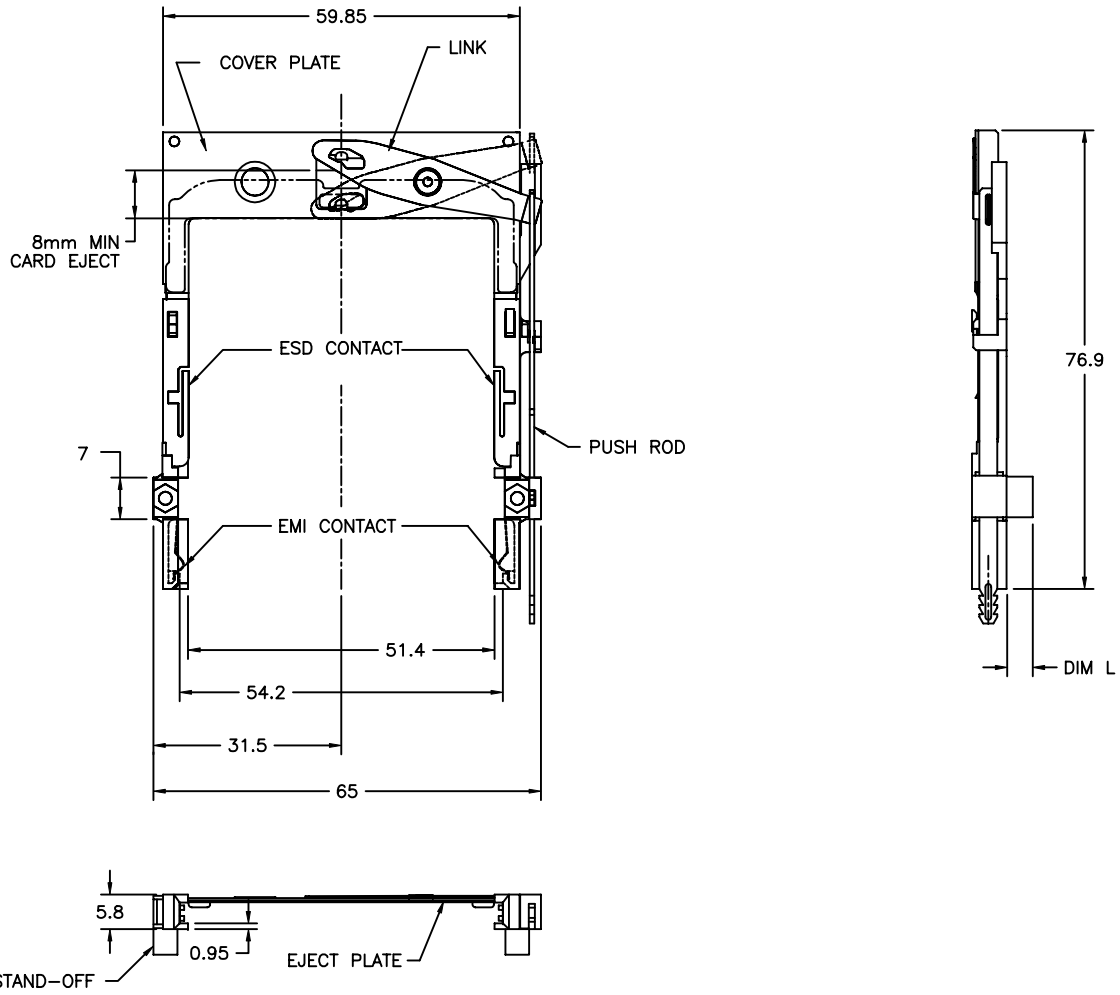
- EJECT PLATE TO MOVE ALONG INSIDE WALL OF COVER PLATE SMOOTHLY AFTER ASSEMBLING WITH HEADER.
- MATERIAL:
PLASTIC GUIDES: POLYPHTHARAMIDE UL94V-0 BLACK
COVER PLATE, EJECT PLATE, EJECT LINK, PUSH ROD: STAINLESS STEEL
EMI CONTACT: PHOSPHOR BRONZE
- FINISH:
EMI CONTACT:
CONTACT AREA: 0.5um Au
UNDER PLATING: 2.0um Ni
- RECOMMENDED SCREW TORQUE: 1.0 TO 1.5 MAX in-lbs. (1.2-1.7 cm-kgs).
RECOMMENDED HOLD DOWN 2mm SCREWS (95121) AND NUTS (92869).

mat'l. code				tolerances unless otherwise specified		CUSTOMER COPY		FCI Electronics		
ltr	ecn no	dr	date	linear	.X±.3	projection	title	www.fciconnect.com		
A	V20295	LP	2/7/02		.XX±.13		FRONT EJECT MECHANISM WITHOUT PUSH BUTTON			
				angles	.XXX±.051					
				dr	L.POTTEIGER 2/7/02		product family	MCS		
				enr	D.BRANN 2/7/02			size	dwg no	
				chr	D.BRANN 2/7/02				A4	58449
				appd	D.BRANN 2/7/02			1/1		213
sheet index	revision sheet	A	A							
		1	2							

Tous droits strictement reserves. Reproduction ou communication a des tiers interdite sous quelque forme que ce soit sans autorisation ecrite du proprietaire. Propriete de c FCI. Droits de reproduction FCI.

All rights strictly reserved. Reproduction or issue to third parties in any form whatever is not permitted without written authority from the proprietor. Property of FCI. Copyright FCI.

PRODUCT NO.	STAND-OFF DIM L
58449-000	0.0
58449-043	4.3
58449-022	2.2
58449-050	5.0



mat'l. code				tolerances unless otherwise specified		CUSTOMER COPY		 FCI www.fciconnect.com	
ltr	ecn no	dr	date	linear	.X±.3	projection	title		
A					.XX±.13			FRONT EJECT MECHANISM WITHOUT PUSH BUTTON	
				angles	.XXX±.051			product family	
				dr	0° ±2°		MM	MCS	
				enr	L.POTTEIGER 2/7/02	scale	size		sheet
				chr	D.BRANN 2/7/02		1/1	58449	
				appd	D.BRANN 2/7/02			A4	2 of
sheet index	revision sheet								

ACAD

PDM: Rev:A

3 STATUS: Released
 cage code 22526
 Printed: Oct 12, 2010