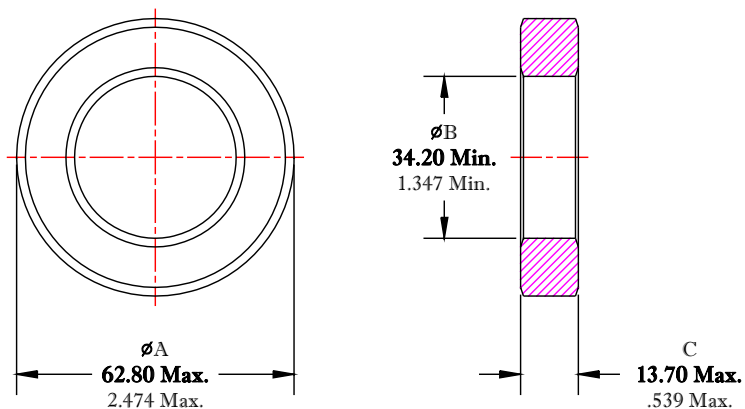


** Not all features are shown in this drawing. For more detailed information, please contact your Fair-Rite representative.

UNCONTROLLED ~CATALOG~ DRAWING

SIZE	PART NO.	REV.
B	5967003821	~



AFTER COATING

DIMENSIONS
BOLD NUMBERS ARE IN MILLIMETERS
 LIGHT NUMBERS ARE IN INCHES

ELECTRICAL SPECIFICATIONS						
$\Sigma l/A(mm^{-1})$	$le (mm)$	$Ae (mm^2)$	$Ve (mm^3)$	$Lo (nH)$	$AL (nH)$ @10kHz <10gauss	Q @50MHz
.91627	145	158	22800	1.371	55 $\begin{smallmatrix} +35\% \\ -25\% \end{smallmatrix}$	75 Min.
					N=20	N=2

NOTES:

- 1 - THIS PART TO BE THERMOSET PLASTIC COATED, USE APPROVED FR# 5967003801.
- 2 - COATING CAN WITHSTAND A MINIMUM BREAKDOWN OF 1000 Vrms UNIFORMLY APPLIED ACROSS THE "C" DIMENSION OF THE CORE.
- 3 - COATING THICKNESS = 0.25mm (.010") Max.

FAIR-RITE PRODUCTS CORP.					
TITLE COATED TOROID					
DRAWN BY D. FOOTE	DATE 7/11/2019	SIZE B	PART NO. 5967003821	REV. ~	
CHKD BY					
APPRVD BY		SCALE NONE	SHEET 1 of 1		

FR# 67