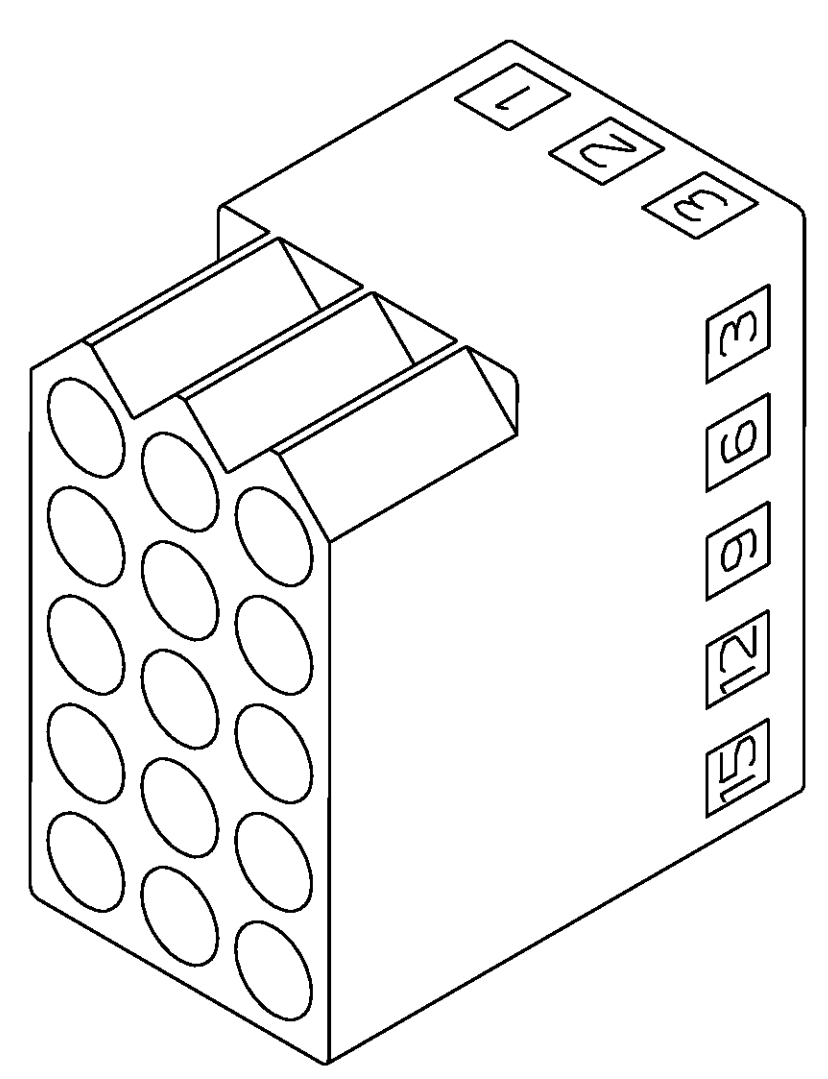
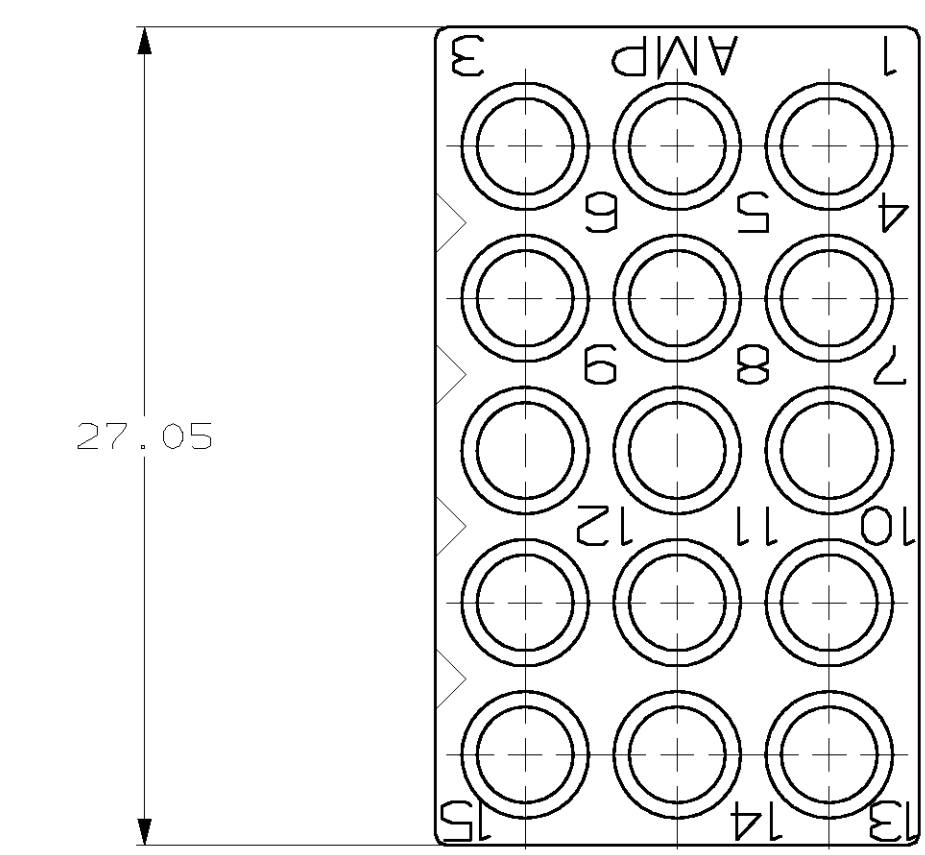
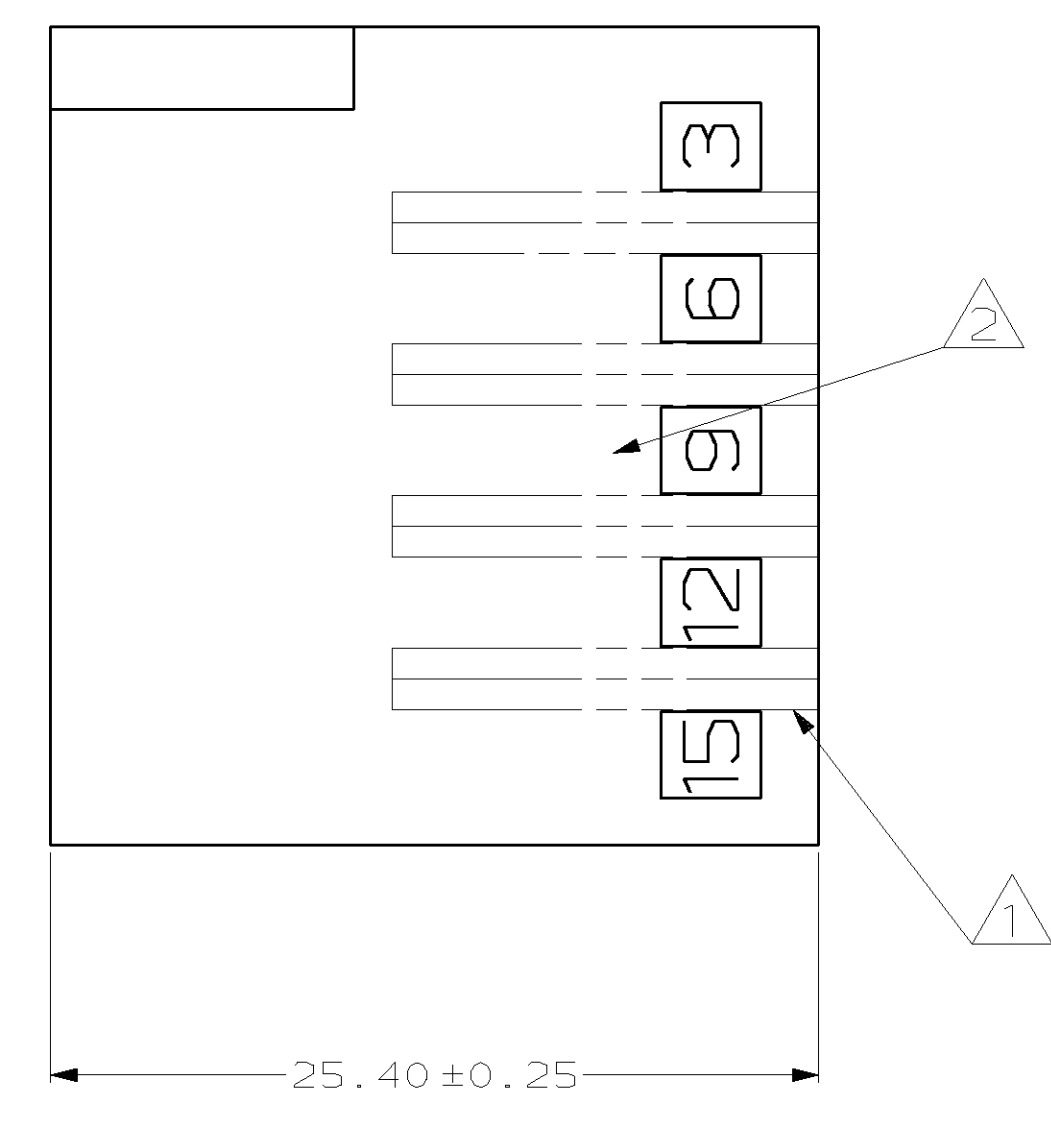
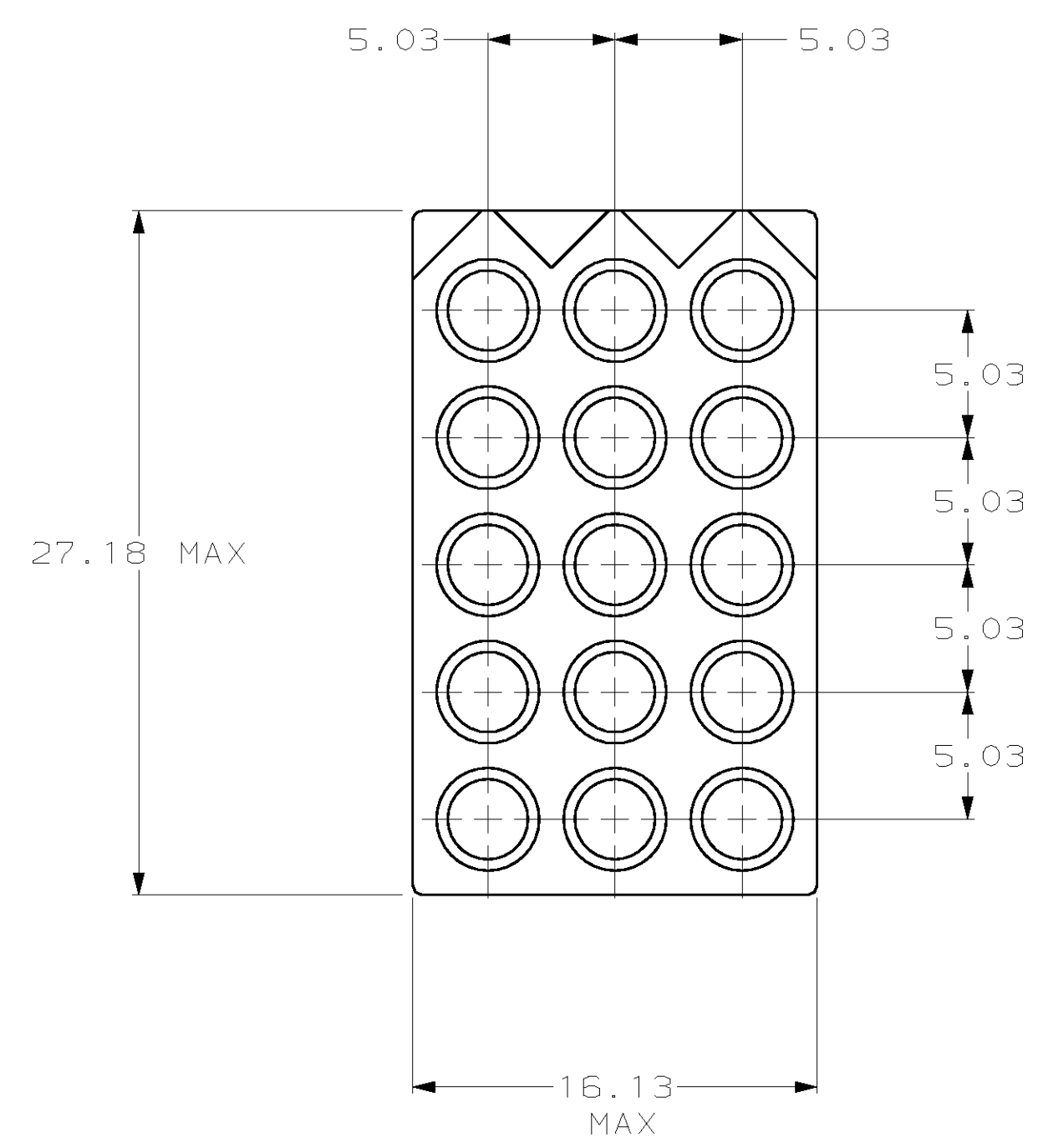
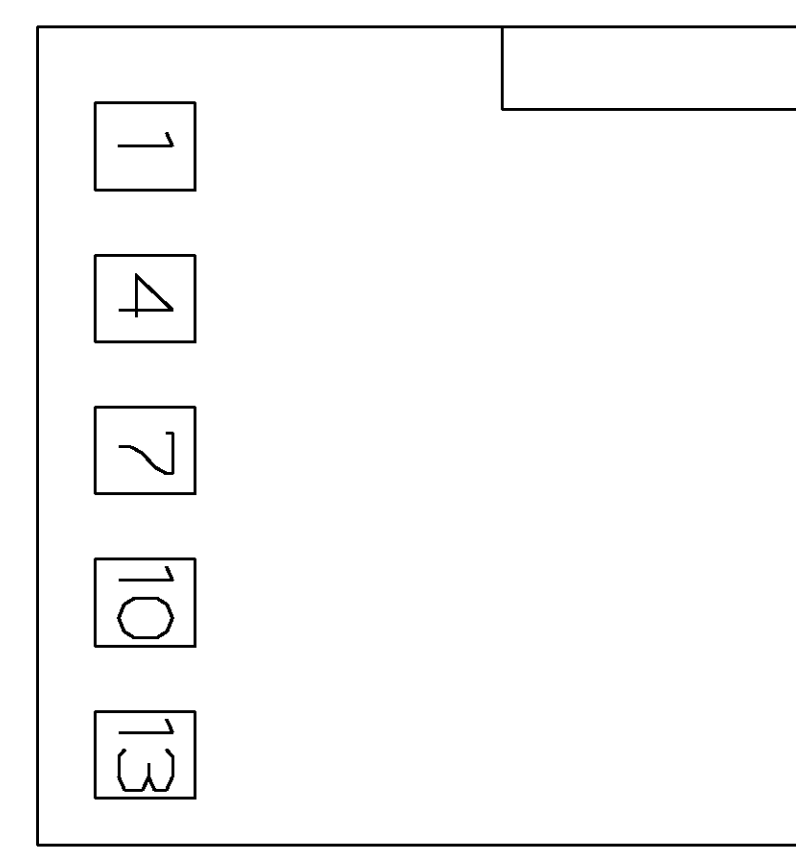
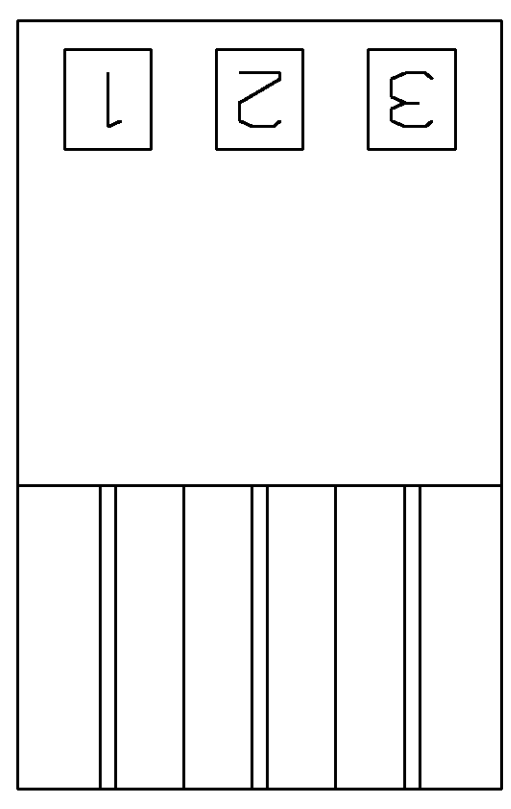
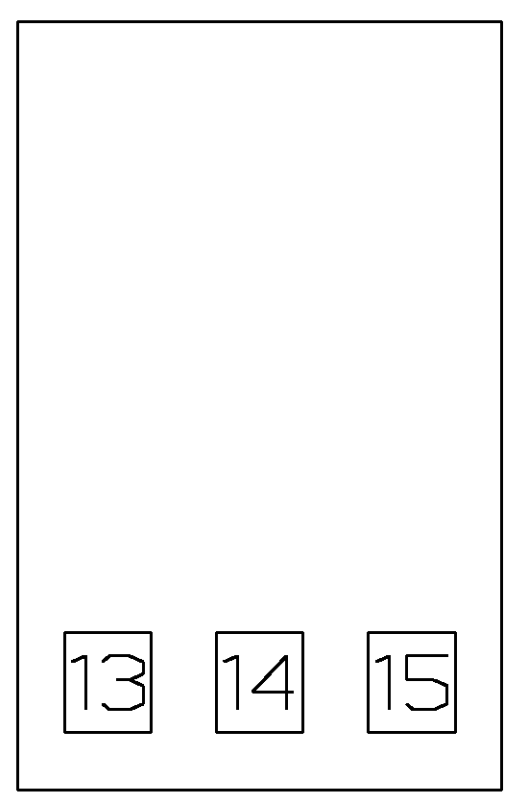


LOC	DIST	REVISIONS			
F	LTN	DESCRIPTION	DATE	OWN	APVD
G		REV & REDWN PER EC 0G1B-00B7-99	04-JUN-99	KW	J5

OPTIONAL CONSTRUCTION.
 MARKING FOR UL LOGO AND CSA LOGO LOCATED APPROXIMATELY AS SHOWN.



3-DIMENSIONAL MODEL
 NTS



MM	IN
27.18	1.070
27.05	1.065
25.40	1.000
16.13	.635
5.03	.198
2.36	.093
0.25	.010
0.13	.005
MM	IN

CONVERSION TABLE

METRIC

770105-1
 PART NUMBER

THIS DRAWING IS A CONTROLLED DOCUMENT.

DIMENSIONS:	TOLERANCES UNLESS OTHERWISE SPECIFIED:	DWN: K. WHITAKER 04-JUN-1999	AMP Incorporated Harrisburg, PA 17105-3608
mm	0 PLC ± 1 PLC ± 2 PLC ±0.13 3 PLC ± 4 PLC ±	CHK: J. SCHLUNZ 04-JUN-1999	
	ANGLES ±	APVD: J. SCHLUNZ 04-JUN-1999	NAME: RECEPTACLE, 15 CIRCUIT, .093 COMMERCIAL PIN AND SOCKET
MATERIAL: NYLON, JL 94V-2, NATURAL	FINISH: -	HEIGHT: -	SIZE: A1 00779 CAGE CODE: 770105 DRAWING NO: 770105
CUSTOMER DRAWING		SCALE: 4:1	SHEET 1 OF 1 REV G