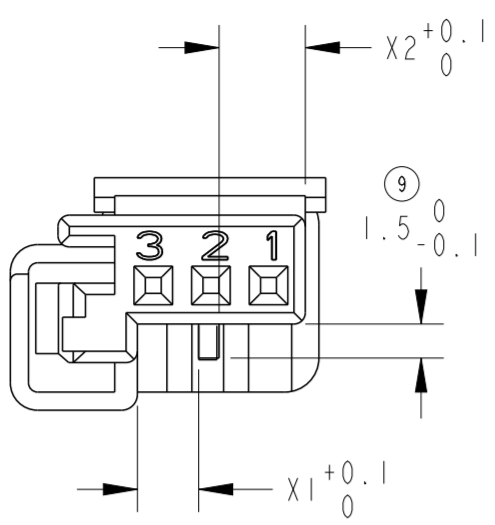


THIS DRAWING IS UNPUBLISHED.  
 DIFFUSION RESTREINTE  
 © COPYRIGHT 2006 BY -  
 RELEASED FOR PUBLICATION  
 LIBRE A LA DIFFUSION  
 2006  
 ALL RIGHTS RESERVED.  
 TOUS DROITS RESERVES

LOC		DIST		REVISIONS				
P	LTR	DESCRIPTION MODIFICATIONS		DATE	DWN DESS.	APVD APP.		
	BI	REVISED PER ECO-11-005150		28MAR2011	RK	HMR		
	C	NEW PART NUMBER I-953697-1 ADDED		08APR2013	EC	XR		

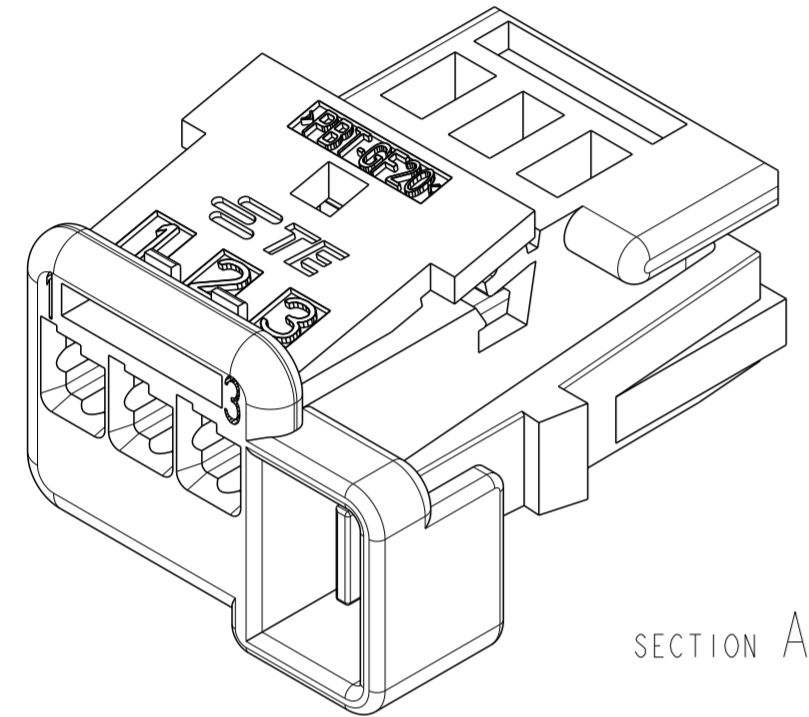
KEYING TABLE (table de detrompage)

COLOR couleur	X1	X2	PART NO
BLACK noir	6.5 (10)	0 (11)	953697-1 AND I-953697-1 (SEE NOTE 9)
WHITE blanc	5.2 (12)	1.3 (13)	953697-2
BLUE bleu	4 (14)	2.5 (15)	953697-3
YELLOW jaune	2.7 (16)	3.8 (17)	953697-4
GREY gris	1.5 (18)	5 (19)	953697-5
BROWN marron	0 (20)	6.3 (21)	953697-6

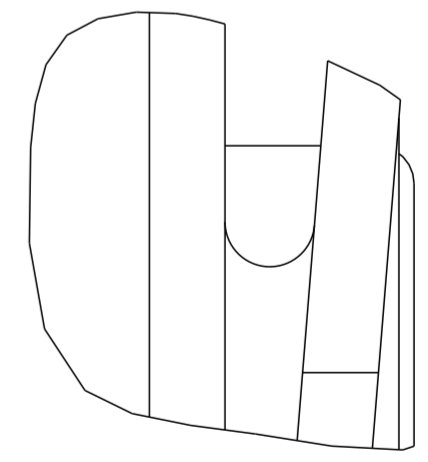
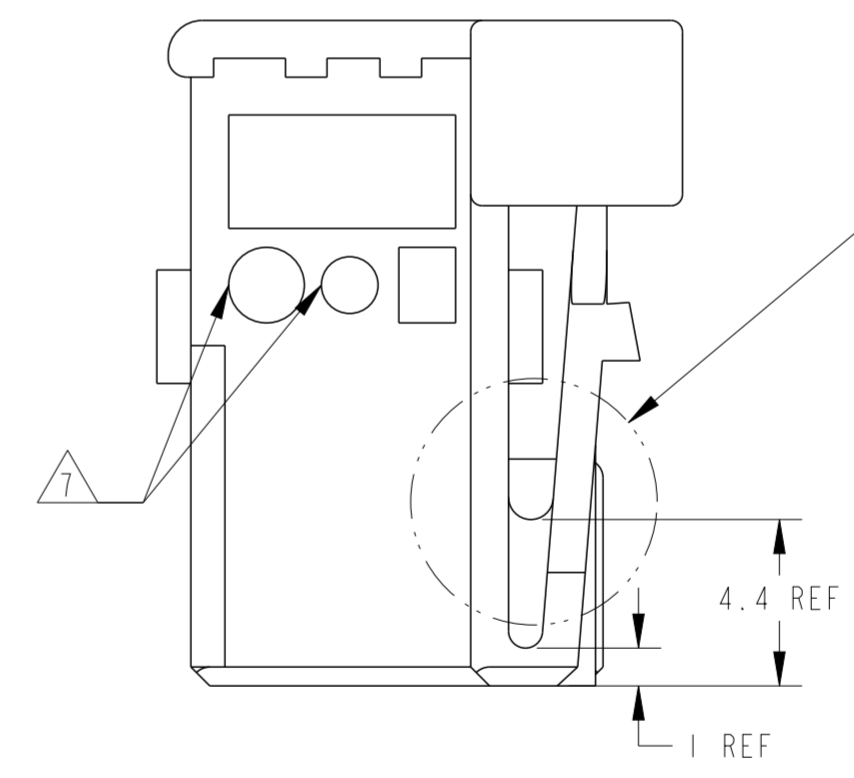
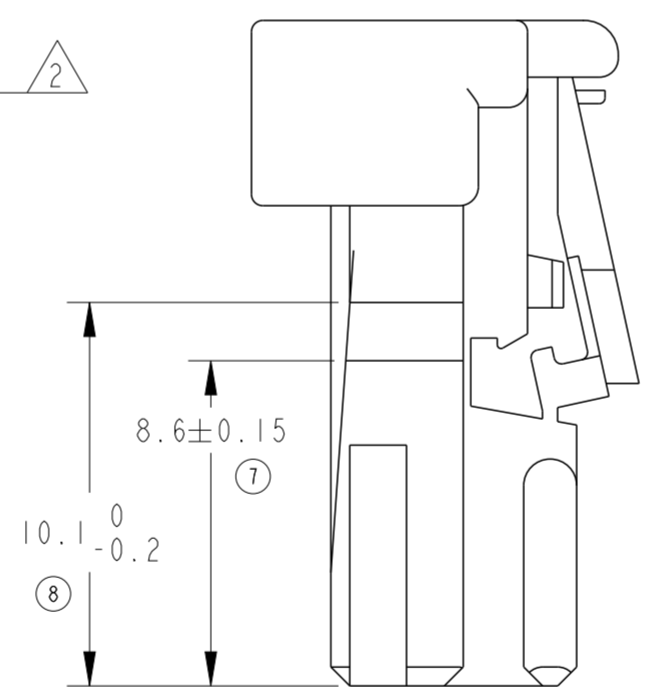
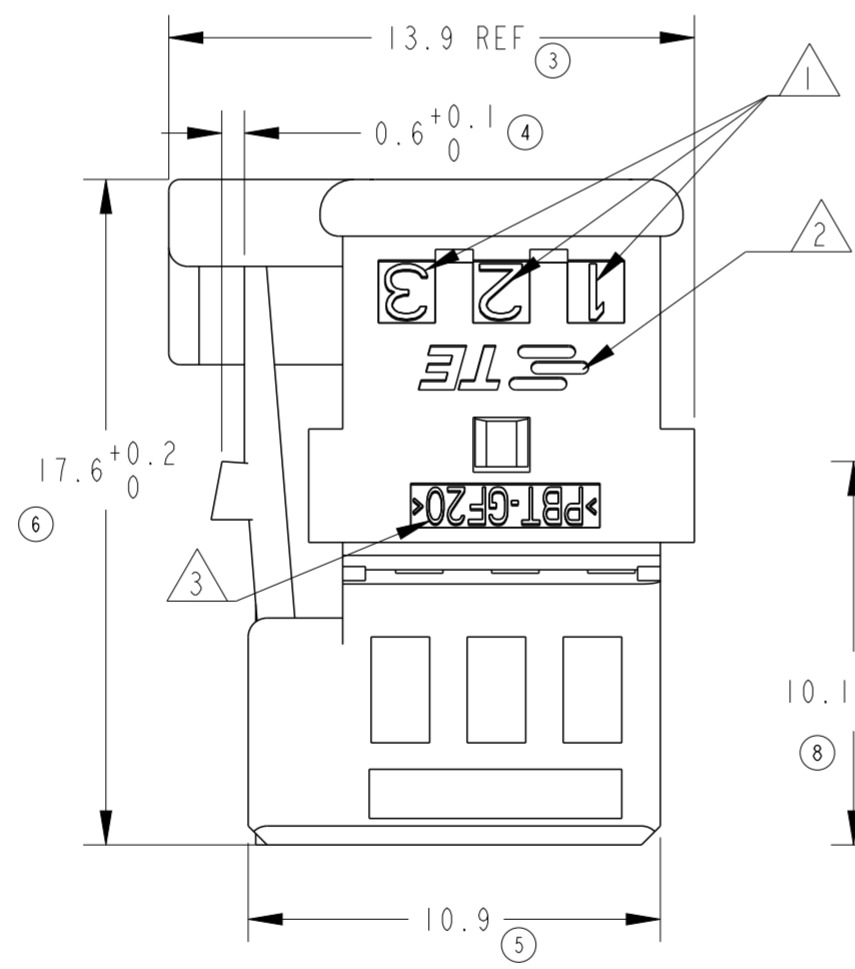
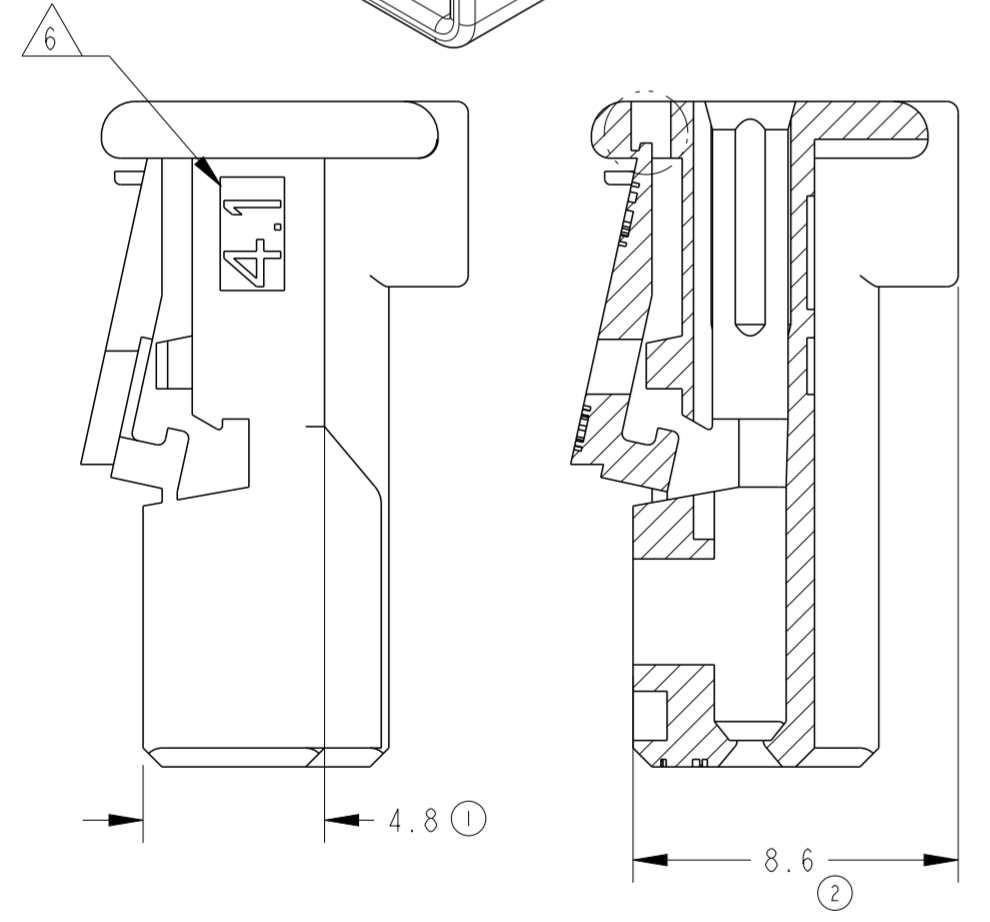
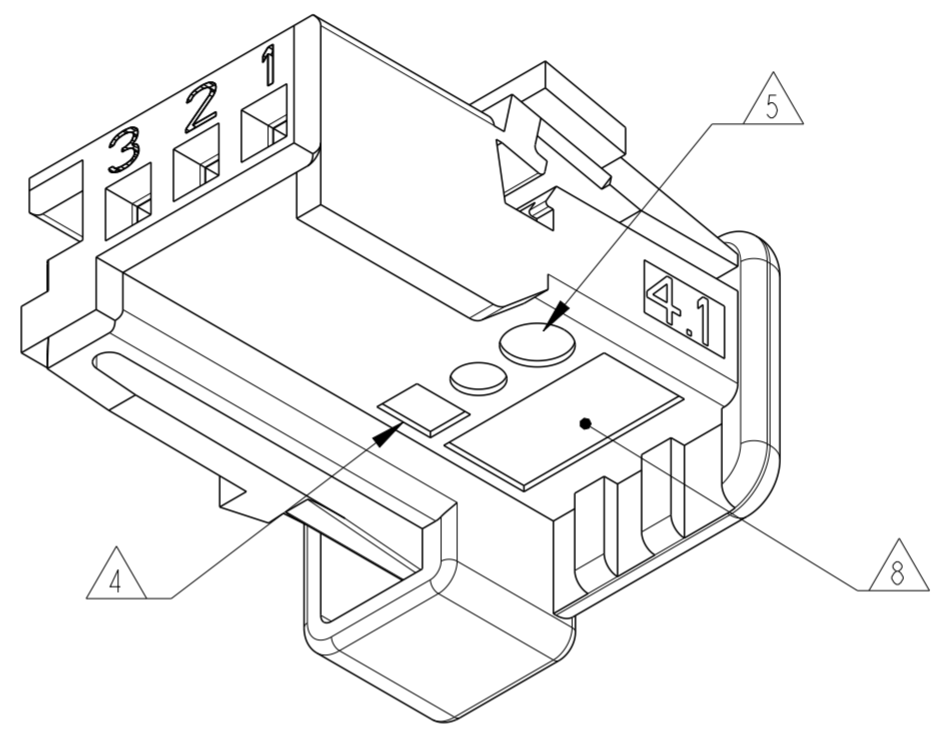
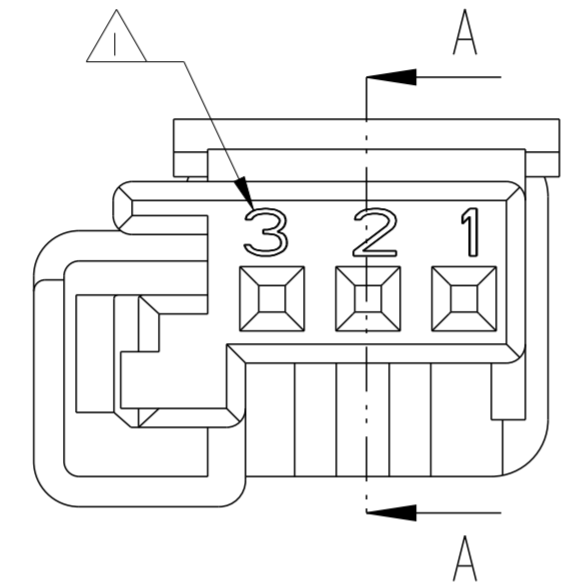


(C)

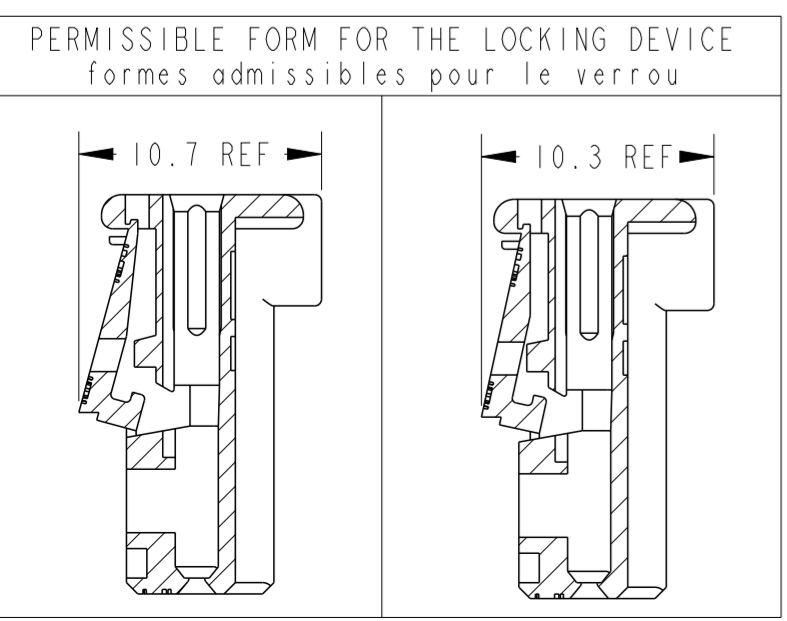
- 1 CAVITY MARKING  
reperes alveoles
- 2 AMP STAMP OR TE CONNECTIVITY STAMP (following mold)-  
logo AMP ou logo TE CONNECTIVITY (suivant moule)
- 3 MATERIAL IDENTIFICATION  
marquage matiere
- 4 MOLD REVISION NUMBER (optional)  
indice de revision moule (optionnel)
- 5 MOLD IDENTIFICATION  
identification moule
- 6 MOLD CAVITY IDENTIFICATION NUMBER  
numero d'empreinte moule
- 7 EXCHANGEABLE MANUFACTURING DATE  
date de fabrication exchangeable
- 8 "PSA" CUSTOMER STAMP POSSIBLE  
NO MARKING IN THIS AREA FOR PN I-953697-1  
Marquage logo "PSA" possible  
Aucun marquage dans cette zone pour PN I-953697-1



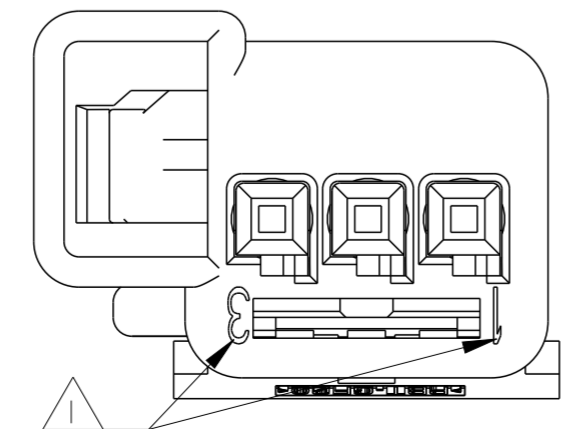
SECTION A-A



DETAIL X  
SCALE 10:1



SECTION A-A  
SCALE 3:1



THIS DRAWING IS A CONTROLLED DOCUMENT.		DWN/DESSINE M. POLIFONTE CHK/VERIFIE X ROULLIARD	22MAR2006 22MAR2006 22MAR2006	TE Connectivity	
DIMENSIONS: mm	TOLERANCES UNLESS OTHERWISE SPECIFIED: TOLERANCES NON SPECIFIEES	APVD/APPROUVE J. DAHER	22MAR2006	NAME / TITRE 3 POS. MQS RECEPTACLE HOUSING POSITIVE MATE porte-clips 3 voies MQS avaloir	
	(SUIVY NB DE DECIMALES) 0 PLC/DEC: ± 1 PLC/DEC: ± 2 PLC/DEC: ±0.2 3 PLC/DEC: ± 4 PLC/DEC: ± ANGLES ±5°	PRODUCT SPEC SPEC. PRODUIT 108-15226		SIZE / FORMAT A2	
MATERIAL/MATIERE PBT-GF20	FINISH/FINITION	APPLICATION SPEC SPEC. APPLICATION 411-15626	WEIGHT MASSE APPROX. 1g	CAGE CODE 00779	DRAWING NO No PLAN C-953697
Customer Drawing /PLAN CLIENT		UNIQUEMENT POUR REFERENCE	SCALE ECHELLE 5:1	SHEET FEUILLE 1	OF DE 1