

PART NO.	A98100-069	REV	ECO	DATE	APP
		A	102562	05-05-16	TLM

MATERIALS

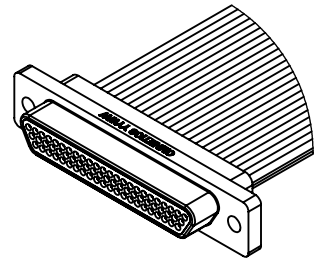
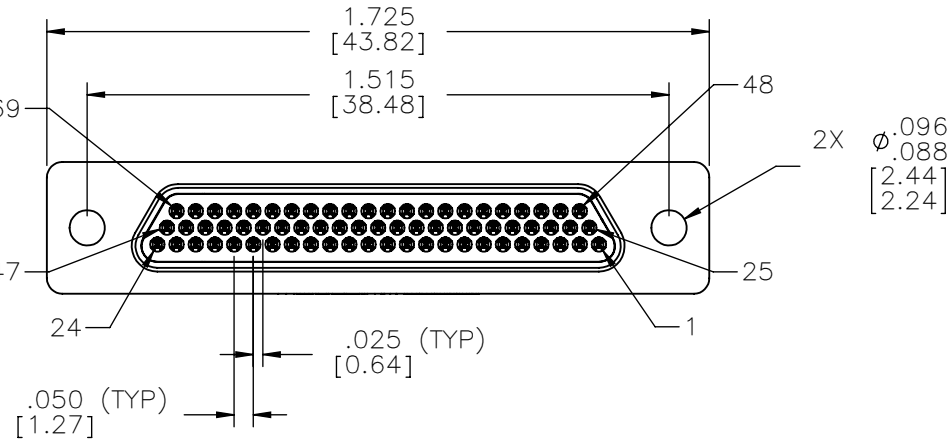
HOUSING:
ALUMINUM 6061-T6, NICKEL
PLATE PER SAE-AMS-2404

INSULATOR:
LIQUID CRYSTAL POLYMER
(LCP) PER ASTM D5138

CONTACT:
BERYLLIUM COPPER PER
ASTM B194, C17200, GOLD
PLATED PER ASTM B488,
(HARD GOLD) TYPE II CODE
C, CLASS 1.27

WIRE:
NEMA HP3 TYPE E, COLOR
CODED IAW MIL-STD-681,
SYSTEM 1, USING TEN SOLID
REPEATING COLORS

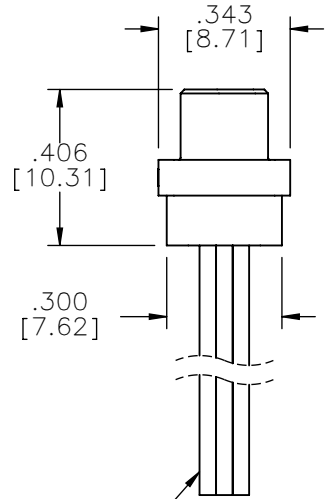
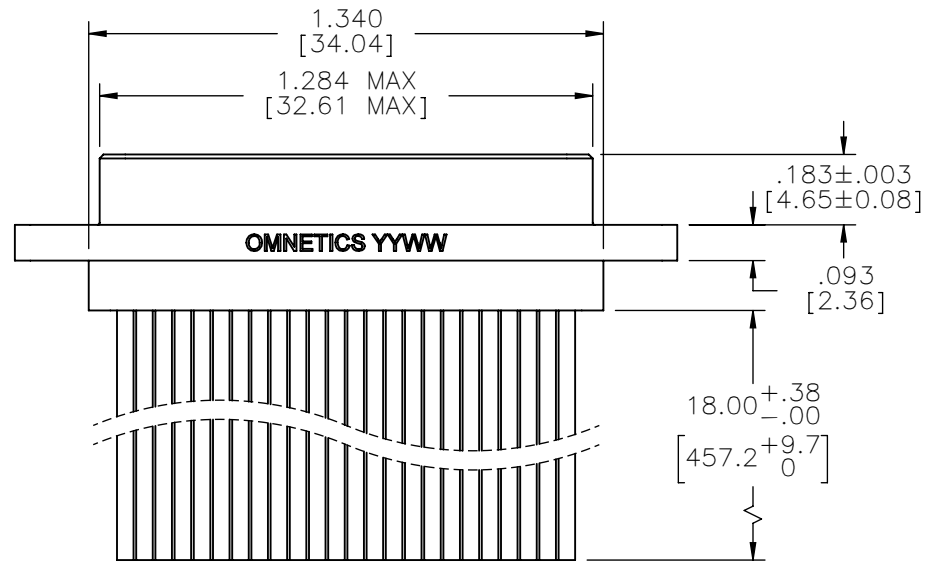
HARDWARE:
AVAILABLE UPON REQUEST



ACTUAL SIZE
EXCLUDING WIRE LENGTH

PIN #	COLOR
1, 11, 21, 31, 41, 51, 61	BLACK
2, 12, 22, 32, 42, 52, 62	BROWN
3, 13, 23, 33, 43, 53, 63	RED
4, 14, 24, 34, 44, 54, 64	ORANGE
5, 15, 25, 35, 45, 55, 65	YELLOW
6, 16, 26, 36, 46, 56, 66	GREEN
7, 17, 27, 37, 47, 57, 67	BLUE
8, 18, 28, 38, 48, 58, 68	VIOLET
9, 19, 29, 39, 49, 59, 69	GRAY
10, 20, 30, 40, 50, 60	WHITE

INTERNAL USE ONLY
USE MFG LOADING
PROCEDURE MMDP-069



26 AWG (7-34)
PTFE, COLOR CODED

RoHS

NOTE:
DIMENSIONS IN [] ARE IN
MILLIMETERS UNLESS
OTHERWISE NOTED AND ARE
FOR REFERENCE ONLY

MDCS S/CW	THIRD ANGLE	THIS DRAWING CONTAINS CONFIDENTIAL AND PROPRIETARY INFORMATION WHICH IS THE PROPERTY OF OMNETICS CONNECTOR CORP. THIS DOCUMENT MAY NOT, IN WHOLE OR IN PART, BE DUPLICATED, OR DISCLOSED FOR ANY PURPOSE, WITHOUT WRITTEN PERMISSION FROM OMNETICS CONNECTOR CORP.	DATE	TITLE:
	-TOLERANCES-		04-04-16	(69) PIN MALE
	UNLESS OTHERWISE NOTED		DATE	MICRO-D CONNECTOR
	DIMENSIONS IN INCHES		DATE	
2 PL DEC± .01	DFTM. ERB	APP'D.	DATE	
3 PL DEC± .005	CHK'D.			
4 PL DEC± .0005				
ANGLES ± 1°				

OMNETICS
CONNECTOR CORPORATION
7260 COMMERCE CIRCLE EAST
MINNEAPOLIS, MN 55432
WWW.OMNETICS.COM

CAGE CODE 61873	
DWG NO. A98100-069	
SHEET 1 OF 1	REV A
SCALE: 2:1	