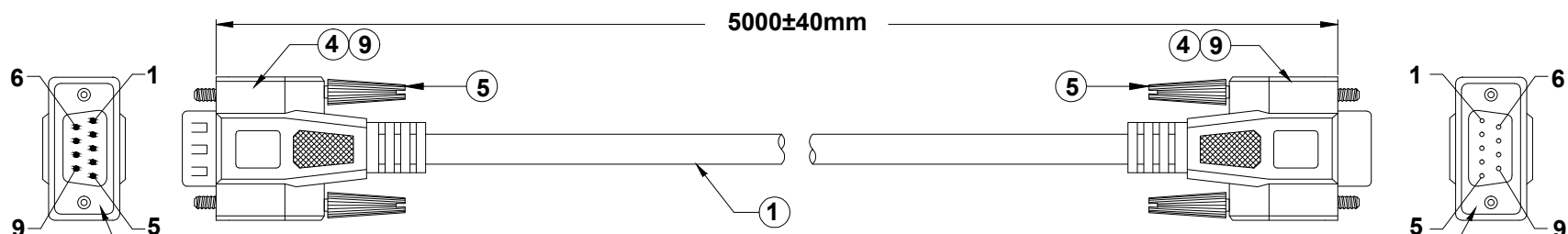


1 2 3 4 5 6 7

A

A



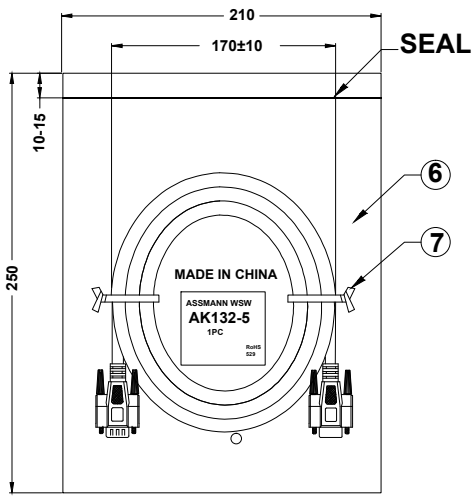
P1

P2

Electrical test:  
 1. 100% short ,open,miswire test  
 2. Conduct resistance: 5Ω max.  
 3. Insulation resistance:10MΩ min.  
 4. Hi-Pot: 100V DC/10ms

PIN ASSIGNMENT

P1		P2
1	black	1
2	grey	2
3	yellow	3
4	purple	4
5	orange	5
6	red	6
7	brown	7
8	green	8
9	blue	9
SHELL	drain	SHELL



1PCS/PE bag

No.	NAME	QTY	DESCRIPTION
⑨	TUPE	2	HEAT SHRINK TUBE BLACK OD 1.5*L15MM
⑧	PE BAG	1/5	CLEAR SIZE:330*380*0.05mm PRINT BLACK"MADE IN CHINA"+*5PCS"
⑦	TIE	2	WHITE L=150mm
⑥	PE BAG	1	CLEAR SIZE: 210*250*0.05mm, PRINT BLACK"MADE IN CHINA"+*1PC"
⑤	SCREW	4	SCREW:#4-40UNC D-E L32.5mm,nickel plated,insulation color beige
④	OUT JACKET	43.5	BEIGE 40P PVC
	IN JACKET	8	CLEAR LDPE
③	CONN	1	DB 9PIN FEMALE PIN G/F SHELL-NIKEL SOLDER TYPE INSULATION COLOR BLUE
②	CONN	1	DB 9PIN MALE PIN G/F SHELL-NIKEL SOLDER TYPE INSULATION COLOR BLUE
①	CABLE	1	NOUL 28AWG*9C+D.W+AL/MY,BEIGE,OD5.0mm
No.	NAME	QTY	DESCRIPTION

D

D

E

E

F

F

RoHS compliant  
Unit: mm

Scale	FREE						Date	Name	Customer-No.
TOLERANCE							Drawn	17.11.2014	Joanna
							Approved	17.11.2014	Joanna
DIM	TOL								ASSMANN WSW-No. AK132-5
		①	Drawn		17.11.2014	Joanna	Drawing-No. ASS 7236 CA		rev00
Angle	TOL	Id.	Modification		Date	Name	Replace		Sheet



1 2 3 4 5 6 7

H

H