

6

5

4

3

2

1

APPROVED: \_\_\_\_\_

DATE: \_\_\_\_\_ TITLE: \_\_\_\_\_

Rev	AWO #	Description	Date	Appr
-		RELEASED	8/11/16	

D

D

C

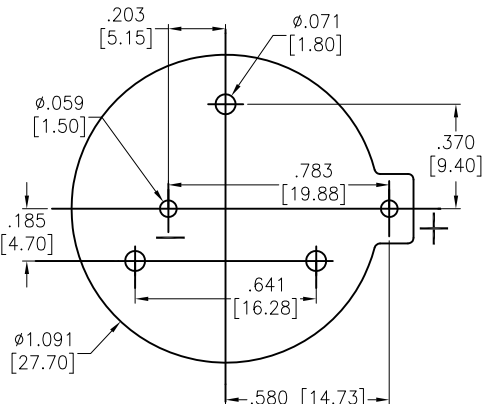
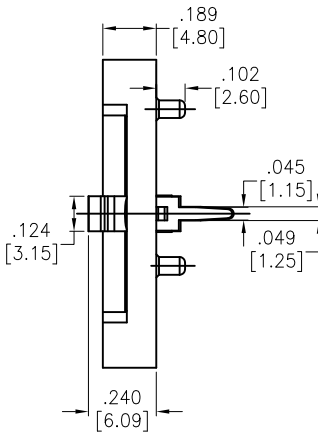
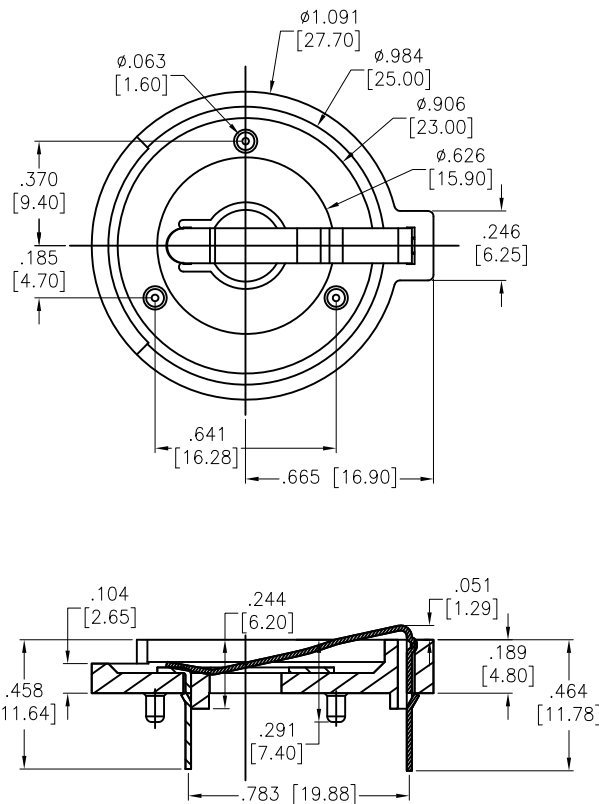
C

B

B

A

A



RECOMMENDED PCB LAYOUT

SPECIFICATIONS:

Material:  
Housing: PBT, Glass reinforced, rated UL94V-0, Color: Black  
Contact: Mn Steel, Nickel plated  
Electrical:  
Contact resistance: 30 mohms max  
Insulation resistance: 1,000 Mohms min  
Dielectric Voltage: 500 VAC one sec level  
Temperature Rating:  
Operating temperature: -25°C to +85°C.  
Environmental:  
Lead free, RoHS compliant



UNLESS OTHERWISE SPECIFIED ALL DIMENSIONS ARE INCHES [MM] TOLERANCES: EXCEPT AS NOTED		<b>ADAM TECH</b> 909 Rahway Avenue, Union, NJ 07083 Phone: 908-687-5000 Fax: 908-687-5710	
INCHES HOLES			
.X ± .10	Ø.X ± .10	TITLE <b>BATTERY HOLDER, PCB THRU HOLE FOR CR2430, BLACK COLOR</b>	
.XX ± .020	Ø.XX ± .015		
.XXX ± .015	Ø.XXX ± .010		
APPROVALS		DATE	
DRAWN	HR	8/11/16	
CHECKED	LW	8/11/16	
APPROVED			
SIZE <b>X</b>	PART NO. <b>BH-28A-1</b>	REV. -	
REF: S00136C	SCALE: NTS	SHEET 1 OF 1	

6

5

4

3

2

1