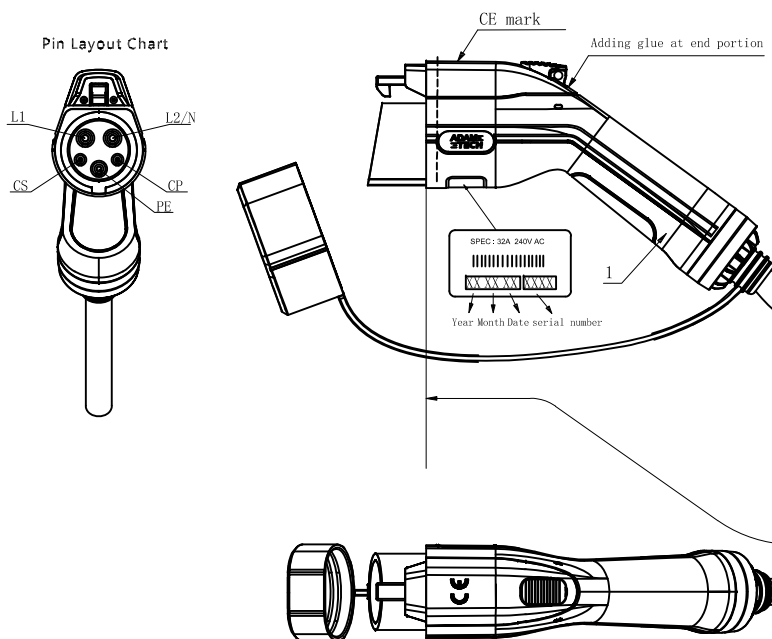


APPROVED: _____

DATE: _____ TITLE: _____

Rev	AWO #	Description	Date	Appr
-		RELEASED	3/11/20	



Method of connecting wire

(5) CS
(4) CP
(3) PE
(2) L2/N
(1) L1

Function	Color	32A 240V AC
L1	Brown	6mm ²
N	Blue	6mm ²
PE	Yellow-Green	6mm ²
CP	Black	0.5mm ²
CS	—	—

Remark:
R7=330 Ω R8=150 Ω

SPECIFICATIONS:

Material:
 Insulator: PC, Thermoplastic, rated UL 94V-0
 Insulator color: Black
 Contacts: Copper Alloy, Silver plated surface
 Electrical:
 Current rating: 32A
 Voltage rating: 240 VAC
 Contact Impedance: 0.5 mohms max
 Insulation resistance: 1,000 Mohms min, DC 500V
 Dielectric withstanding voltage: 2,000V
 Mechanical:
 Mechanical life: unloaded plugged: >10,000
 Insertion and Extraction Force: <80N
 Temperature Rating:
 Operating temperature: -30°C to +50°C
 Environmental:
 Waterproof grade: IP54
 Lead free, RoHS compliant



Charging plug: according to SAE J1772-2017 standard
 Charging cable: 3x6mm²+2x0.5mm² (outer leather material TPE)

UNLESS OTHERWISE SPECIFIED ALL DIMENSIONS ARE MILLIMETERS TOLERANCES: EXCEPT AS NOTED		ADAM TECH INTERCONNECTS		909 Rahway Avenue, Union, NJ 07083 Phone: 908-687-5000 Fax: 908-687-5710	
APPROVALS		DATE		TITLE	
DRAWN	OW	3/11/20		CABLE ASSEMBLY EV CHARGER	
CHECKED	AC	3/11/20		TYPE 1 FEMALE PLUG 32A 1PHASE 6MM ² TUV	
APPROVED		SIZE	PART NO.	REV.	
		X	CA #EV01BT-002-XM	-	
REF: -		SCALE: NTS	SHEET 1 OF 1		