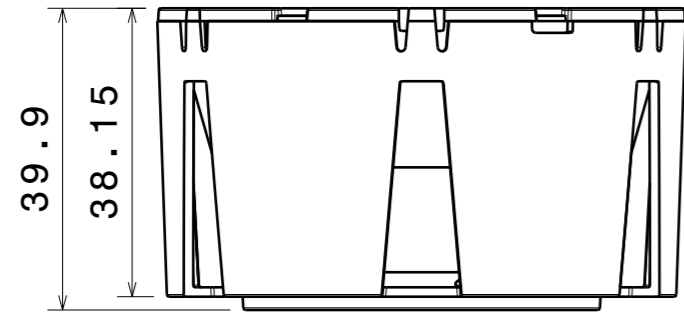
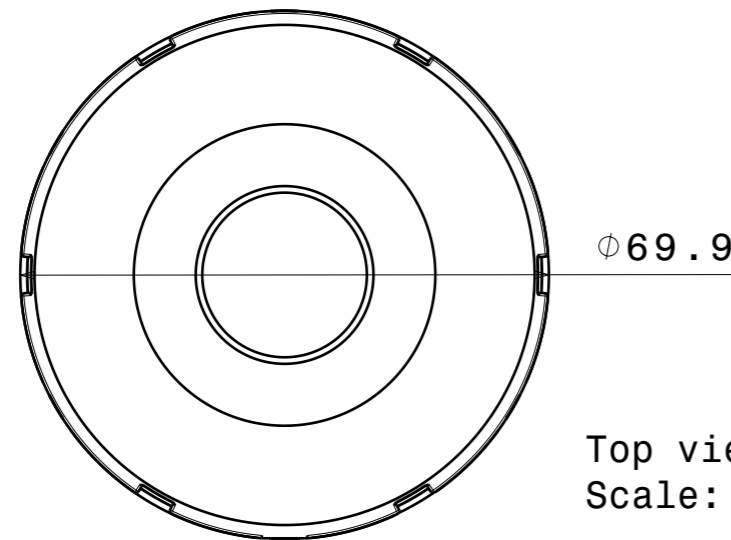


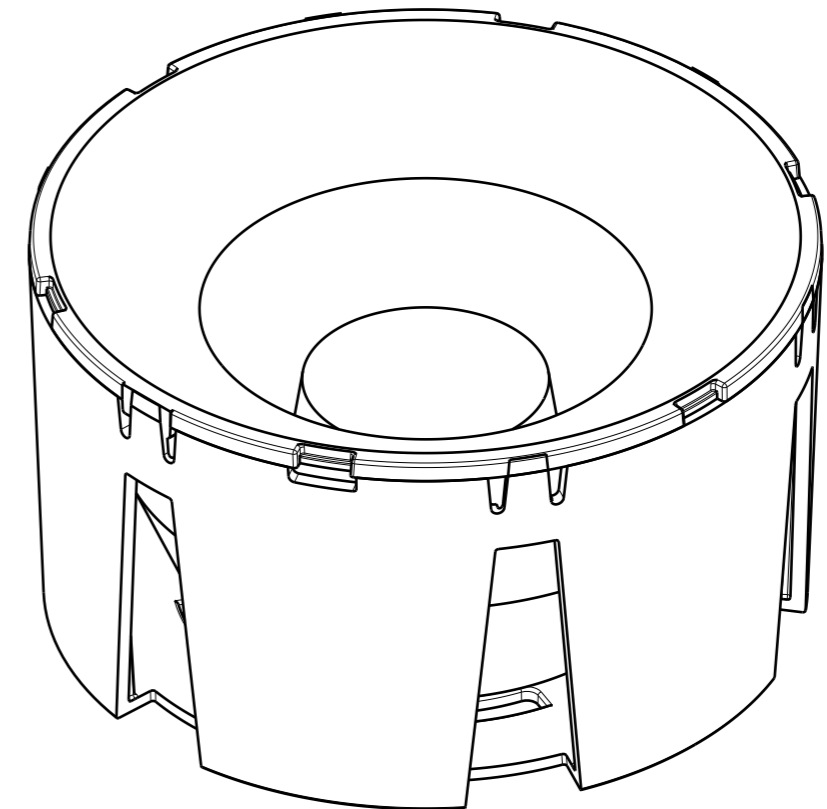
Bottom view  
Scale: 1:1



Front view  
Scale: 1:1



Top view  
Scale: 1:1



Isometric view  
Scale: 3:2

CP17408\_YASMEEN-70-S-C

COMPONENTS

INDEX	PART	TYPE	MATERIAL	COLOR / COATING
1	C17396_YASMEEN-70-HLD-C	HOLDER	PC	black
2	C17238_YASMEEN-70-S	LENS	PMMA	CLEAR

<b>MECHANICAL DRAWING</b>		<b>LEDiL®</b>
PRODUCT <b>YASMEEN</b>		
Plastic moulding general tolerances according to DIN 16901-130 and applies if not otherwise shown in the drawing. Silicone moulding general tolerances according to ISO 3302-1 Class M3 and applies if not otherwise shown in the drawing.	FIRST ANGLE PROJECTION: 	This drawing is the property of LEDiL Oy. It may not be copied or otherwise distributed without prior written permission from LEDiL Oy.
SCALE 3:2	WEIGHT 77.297 g	A3 SHEET 1/1

**Notes**

	PCB or heatsink level.
	LED location
	Ensure LED fitting from a product specific 3D model available from <a href="http://www.ledil.com">www.ledil.com</a>
	For more details about installation please see LEDiL Installation Guide on <a href="http://www.ledil.com">www.ledil.com</a>