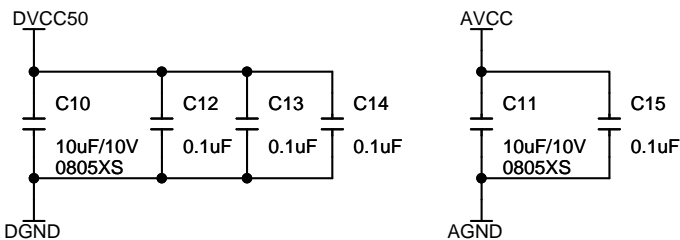
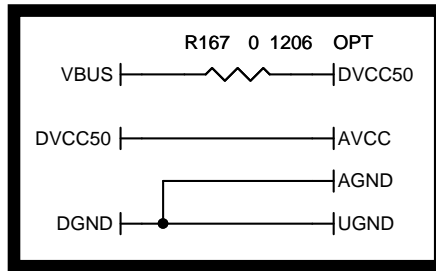


MPI1_AD[7:0]	MP11_AD[7:0]	3
USERIO[24:0]	USERIO[24:0]	3,8,10
MPI1_ALE	MP11_ALE	3
MPI1_WR	MP11_WR	3
MPI1_RD	MP11_RD	3
MPI1_CS	MP11_CS	3
MPI1_CLK	MP11_CLK	3
MPI1_INT6	MP11_INT6	3
MPI1_INT5	MP11_INT5	3
MPI1_SPI_CS0	MP11_SPI_CS0	2
MPI1_SPI_CS1	MP11_SPI_CS1	2
MPI1_SPI_CS2	MP11_SPI_CS2	3
MPI1_SPI_CS3	MP11_SPI_CS3	3
MPI1_SPI_CS4	MP11_SPI_CS4	2
MPI1_MISO	MP11_MISO	2,3
MPI1_MOSI	MP11_MOSI	2,3
MPI1_SPI_CLK	MP11_SPI_CLK	2,3
MPI1_SPI4_WP	MP11_SPI4_WP	2
MPI1_SPI4_CD	MP11_SPI4_CD	2
SDA	SDA	12
SCL	SCL	12
RESET	RESET	2,3
MPI1_RESET	MP11_RESET	3
MPI1_RS0	MP11_RS0	3
MPI1_RS1	MP11_RS1	3
PRSN_T_FMC	PRSN_T_FMC	12
PG_C2M_FMC	PG_C2M_FMC	12
PG_M2C_FMC_B	PG_M2C_FMC_B	12
POWER_RESET	POWER_RESET	13
POWER_DONE	POWER_DONE	13



CUSTOMER NOTICE

LINEAR TECHNOLOGY HAS MADE A BEST EFFORT TO DESIGN A CIRCUIT THAT MEETS CUSTOMER-SUPPLIED SPECIFICATIONS; HOWEVER, IT REMAINS THE CUSTOMER'S RESPONSIBILITY TO VERIFY PROPER AND RELIABLE OPERATION IN THE ACTUAL APPLICATION. COMPONENT SUBSTITUTION AND PRINTED CIRCUIT BOARD LAYOUT MAY SIGNIFICANTLY AFFECT CIRCUIT PERFORMANCE OR RELIABILITY. CONTACT LINEAR TECHNOLOGY APPLICATIONS ENGINEERING FOR ASSISTANCE.

THIS CIRCUIT IS PROPRIETARY TO LINEAR TECHNOLOGY AND SUPPLIED FOR USE WITH LINEAR TECHNOLOGY PARTS.

CONTRACT NO.

APPROVALS

PCB DES. KIM T.

ENG. GARY YU

LINEAR TECHNOLOGY
 1630 McCarthy Blvd.
 Milpitas, CA 95035
 Phone: (408)432-1900
 Fax: (408)434-0507
 LTC Confidential-For Customer Use Only

TITLE: SCHEMATIC

PSTACHE

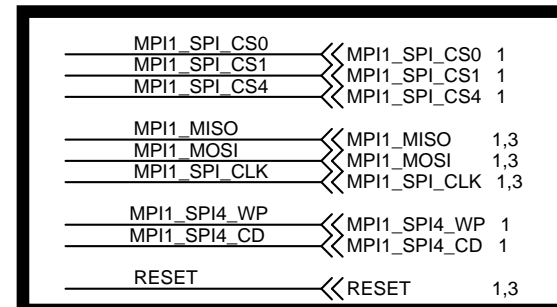
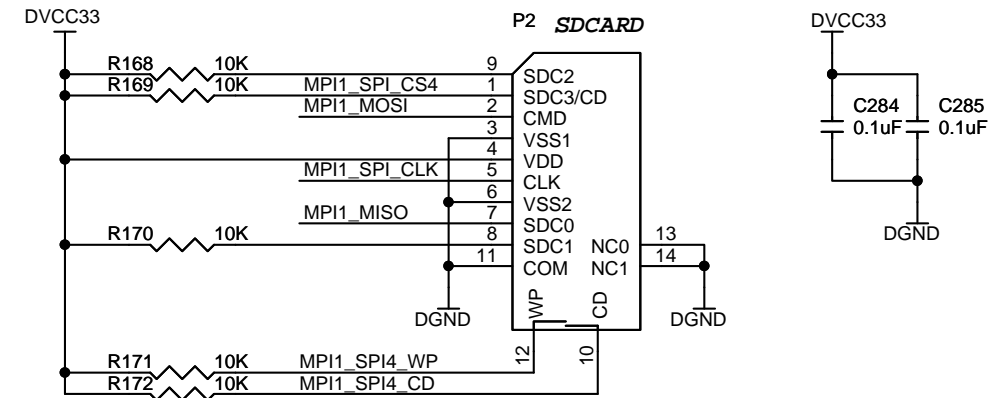
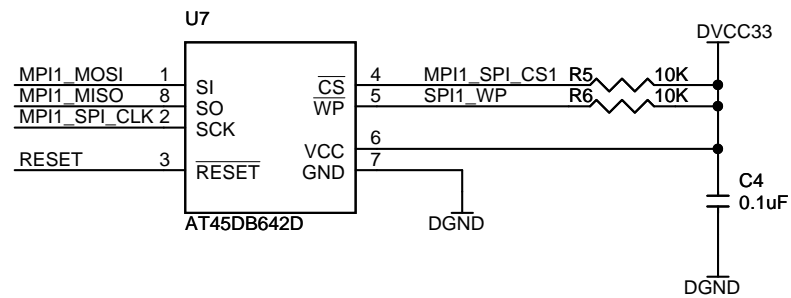
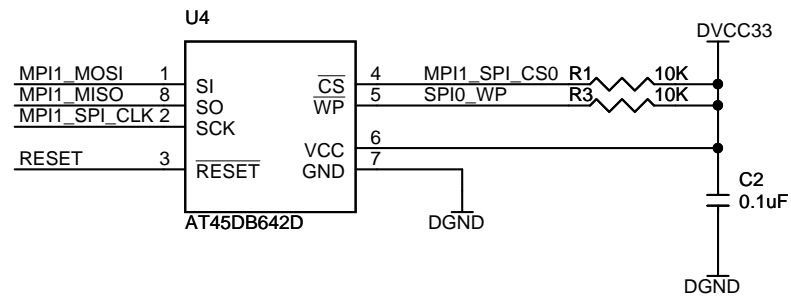
SIZE B IC NO. **DC1371B - HSDAACs** REV 1

DATE: Friday, October 10, 2014

SHEET 1 OF 16

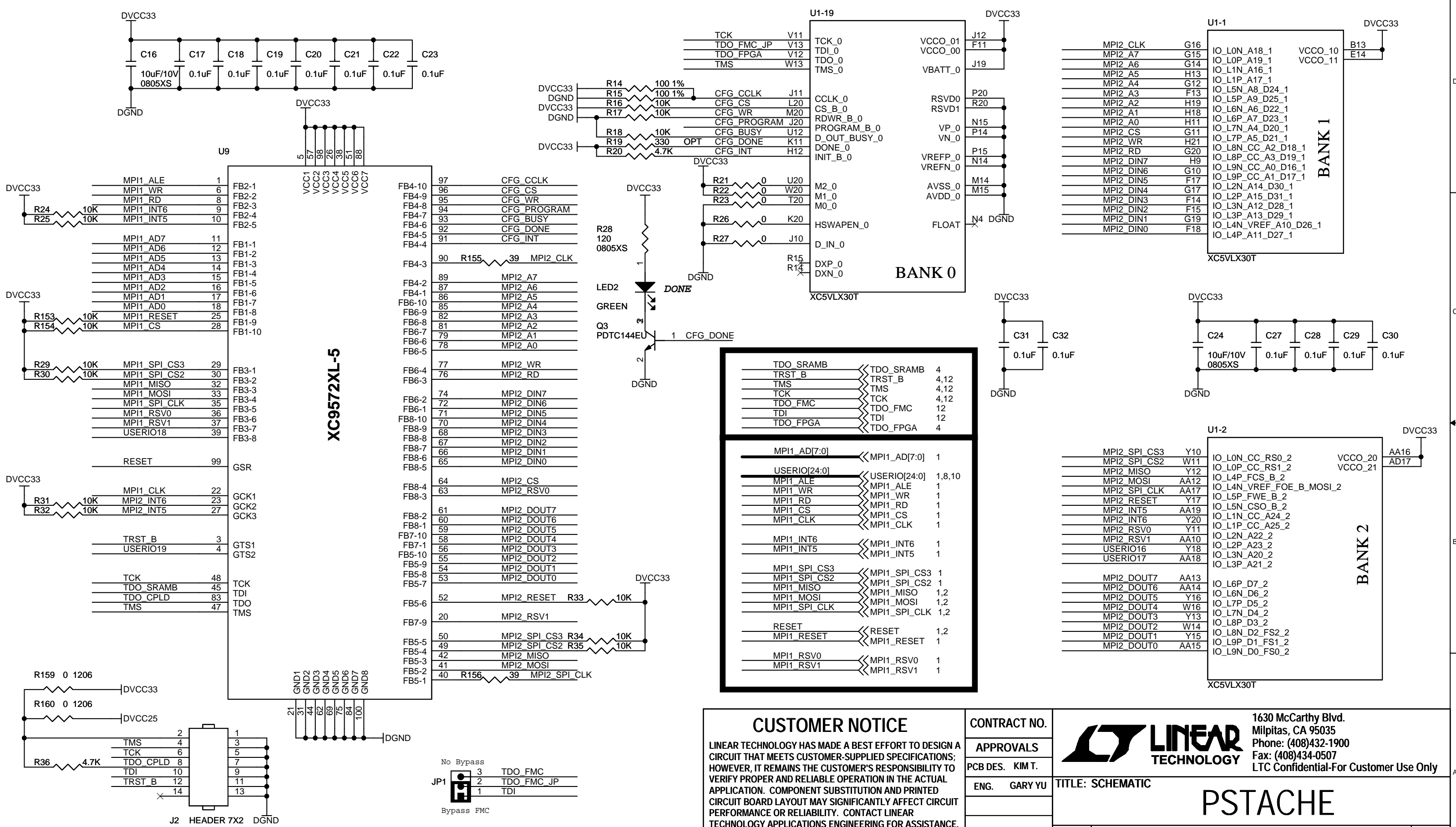
NOTES: UNLESS OTHERWISE SPECIFIED

- ALL RESISTORS ARE IN OHMS, 0603.
- ALL CAPACITORS ARE 0402



NOTES: UNLESS OTHERWISE SPECIFIED
 1. ALL RESISTORS ARE IN OHMS, 0603.
 2. ALL CAPACITORS ARE 0402

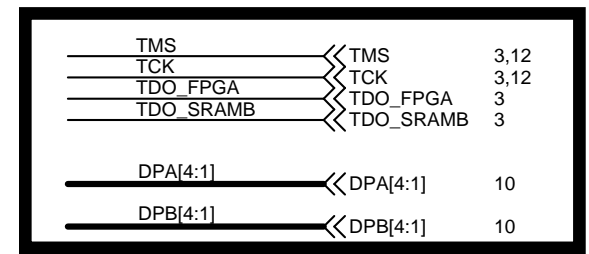
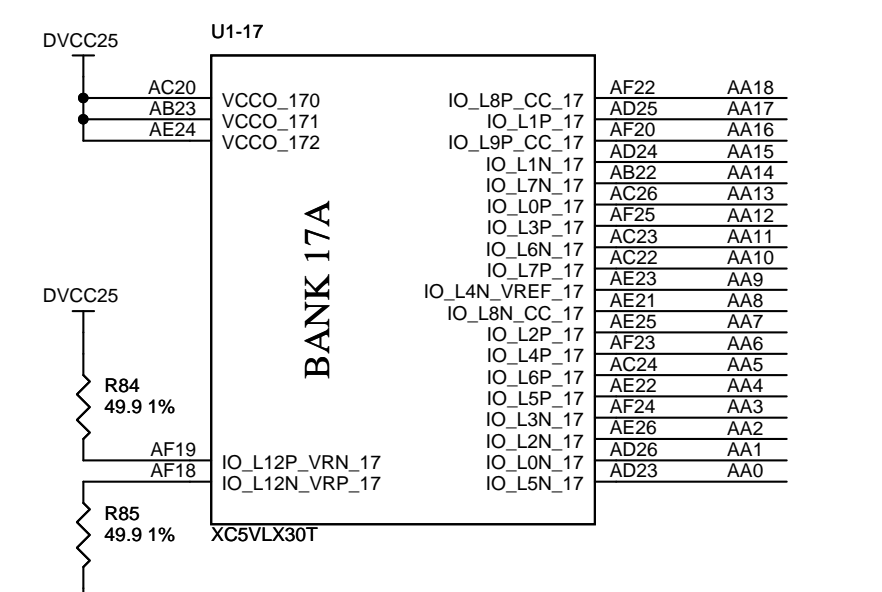
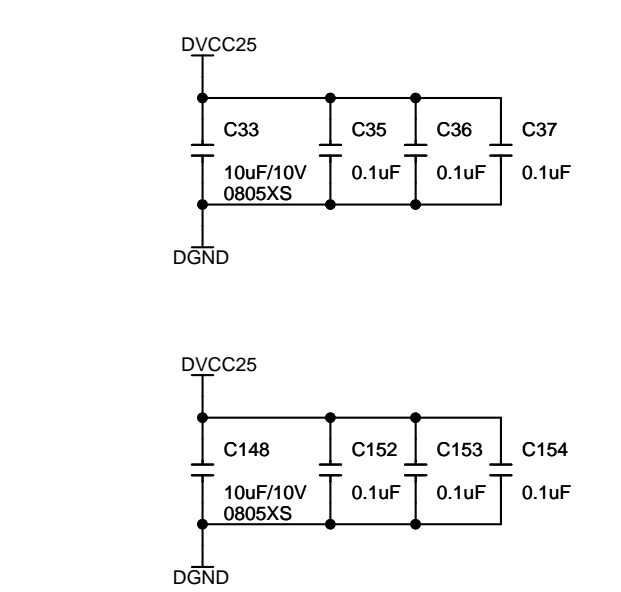
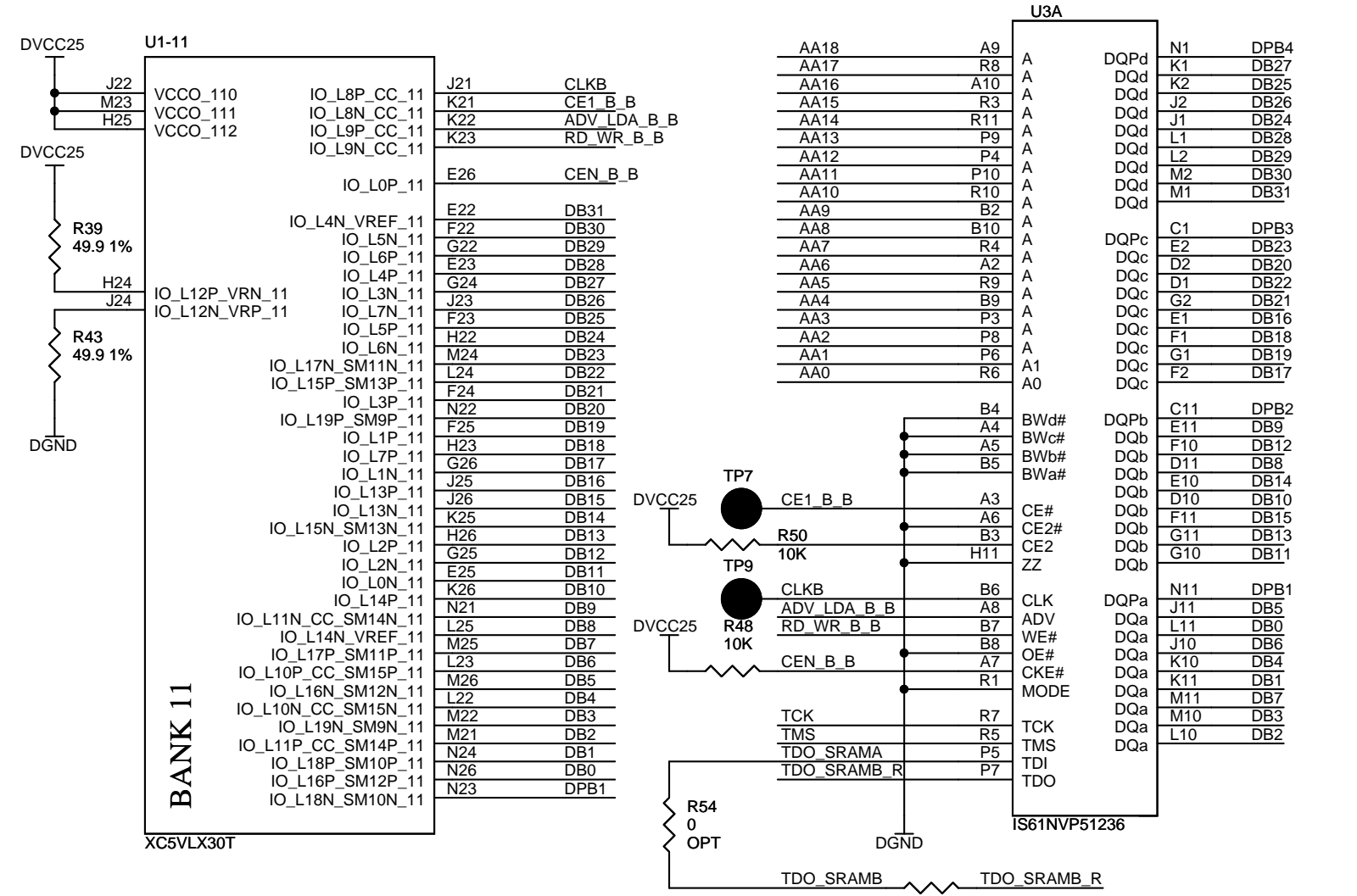
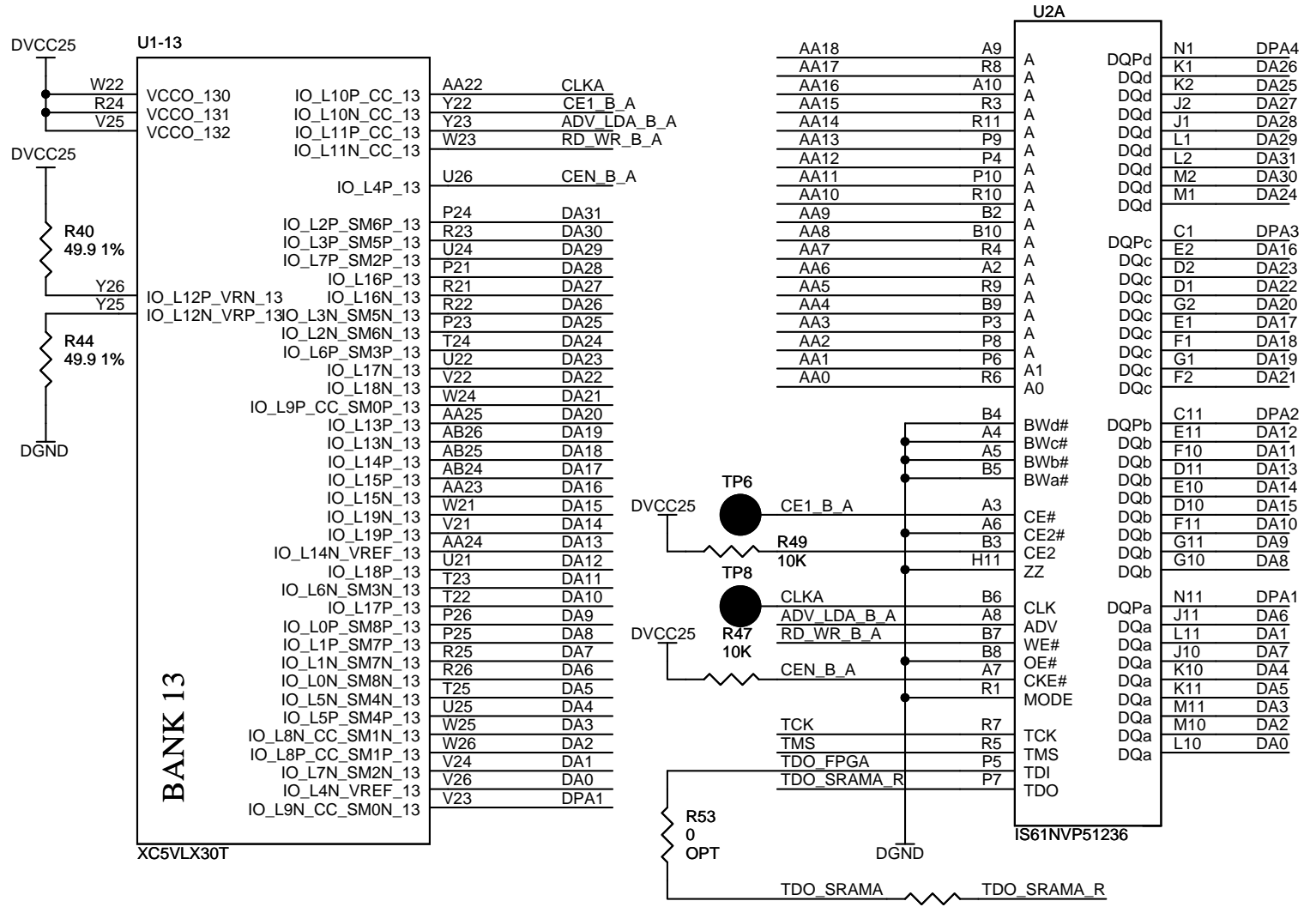
CUSTOMER NOTICE LINEAR TECHNOLOGY HAS MADE A BEST EFFORT TO DESIGN A CIRCUIT THAT MEETS CUSTOMER-SUPPLIED SPECIFICATIONS; HOWEVER, IT REMAINS THE CUSTOMER'S RESPONSIBILITY TO VERIFY PROPER AND RELIABLE OPERATION IN THE ACTUAL APPLICATION. COMPONENT SUBSTITUTION AND PRINTED CIRCUIT BOARD LAYOUT MAY SIGNIFICANTLY AFFECT CIRCUIT PERFORMANCE OR RELIABILITY. CONTACT LINEAR TECHNOLOGY APPLICATIONS ENGINEERING FOR ASSISTANCE.	CONTRACT NO.	1630 McCarthy Blvd. Milpitas, CA 95035 Phone: (408)432-1900 Fax: (408)434-0507 LTC Confidential-For Customer Use Only	
	APPROVALS		
	PCB DES. KIM T.		
	ENG. GARY YU		
THIS CIRCUIT IS PROPRIETARY TO LINEAR TECHNOLOGY AND SUPPLIED FOR USE WITH LINEAR TECHNOLOGY PARTS.	TITLE: SCHEMATIC	<h1>PSTACHE</h1>	
	SIZE B		IC NO. DC1371B - HSDAACS
	DATE: Friday, October 10, 2014	SHEET 2 OF 16	



NOTES: UNLESS OTHERWISE SPECIFIED

- ALL RESISTORS ARE IN OHMS, 0603.
- ALL CAPACITORS ARE 0402

<p align="center">CUSTOMER NOTICE</p> <p>LINEAR TECHNOLOGY HAS MADE A BEST EFFORT TO DESIGN A CIRCUIT THAT MEETS CUSTOMER-SUPPLIED SPECIFICATIONS; HOWEVER, IT REMAINS THE CUSTOMER'S RESPONSIBILITY TO VERIFY PROPER AND RELIABLE OPERATION IN THE ACTUAL APPLICATION. COMPONENT SUBSTITUTION AND PRINTED CIRCUIT BOARD LAYOUT MAY SIGNIFICANTLY AFFECT CIRCUIT PERFORMANCE OR RELIABILITY. CONTACT LINEAR TECHNOLOGY APPLICATIONS ENGINEERING FOR ASSISTANCE.</p>		<p>CONTRACT NO.</p>		<p>1630 McCarthy Blvd. Milpitas, CA 95035 Phone: (408)432-1900 Fax: (408)434-0507 LTC Confidential-For Customer Use Only</p>	
		<p>APPROVALS</p>			
<p>PCB DES. KIM T.</p>		<p>ENG. GARY YU</p>		<p>TITLE: SCHEMATIC</p>	
<p>THIS CIRCUIT IS PROPRIETARY TO LINEAR TECHNOLOGY AND SUPPLIED FOR USE WITH LINEAR TECHNOLOGY PARTS.</p>		<p>DATE: Friday, October 10, 2014</p>		<p align="center">PSTACHE</p>	
<p>SIZE B</p>		<p>IC NO. DC1371B - HSDAACS</p>		<p>REV 1</p>	
<p>SHEET 3 OF 16</p>		<p>DATE: Friday, October 10, 2014</p>		<p>SHEET 3 OF 16</p>	



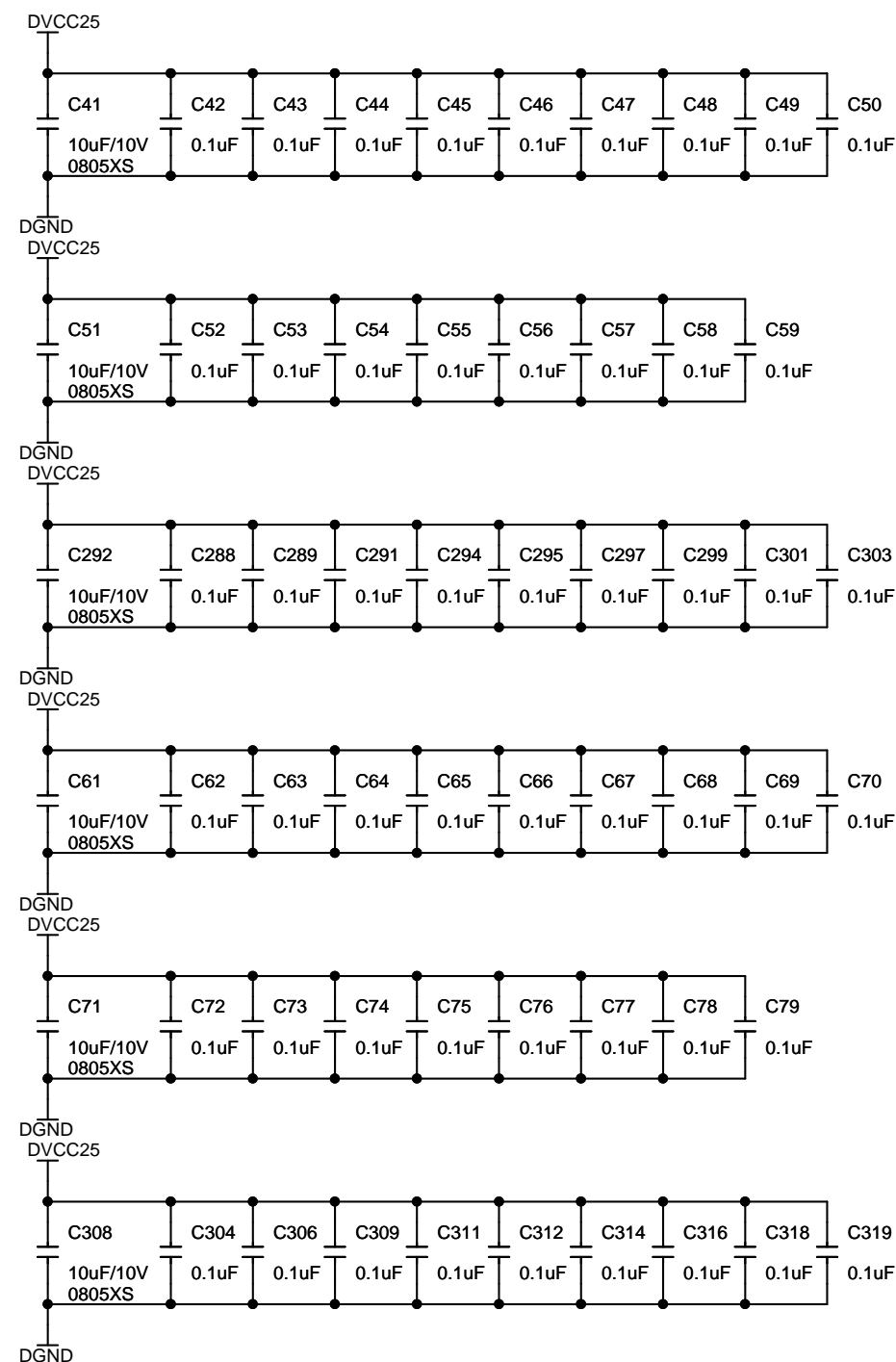
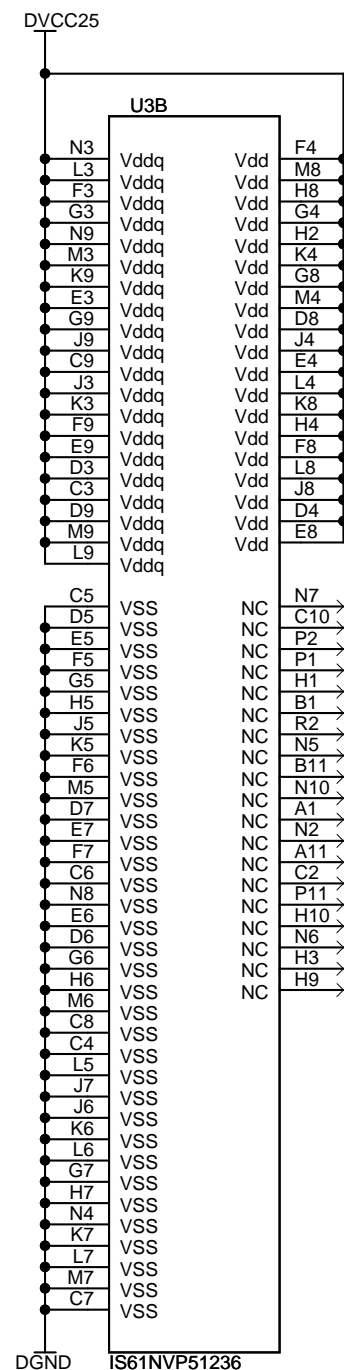
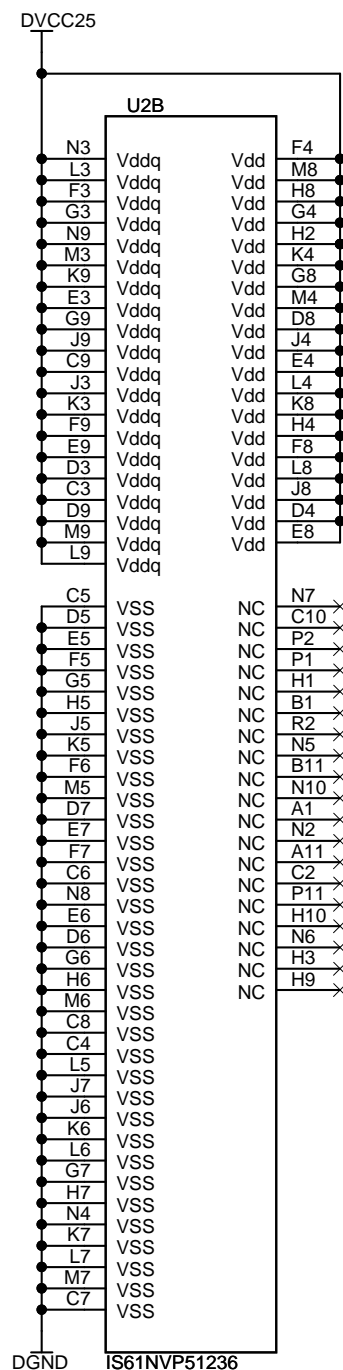
NOTES: UNLESS OTHERWISE SPECIFIED
 1. ALL RESISTORS ARE IN OHMS, 0603.
 2. ALL CAPACITORS ARE 0402

Open solder mask on pin A3, B6 of U2 and A3, B6 of U3 on bottom side to make test points

CUSTOMER NOTICE
 LINEAR TECHNOLOGY HAS MADE A BEST EFFORT TO DESIGN A CIRCUIT THAT MEETS CUSTOMER-SUPPLIED SPECIFICATIONS; HOWEVER, IT REMAINS THE CUSTOMER'S RESPONSIBILITY TO VERIFY PROPER AND RELIABLE OPERATION IN THE ACTUAL APPLICATION. COMPONENT SUBSTITUTION AND PRINTED CIRCUIT BOARD LAYOUT MAY SIGNIFICANTLY AFFECT CIRCUIT PERFORMANCE OR RELIABILITY. CONTACT LINEAR TECHNOLOGY APPLICATIONS ENGINEERING FOR ASSISTANCE.

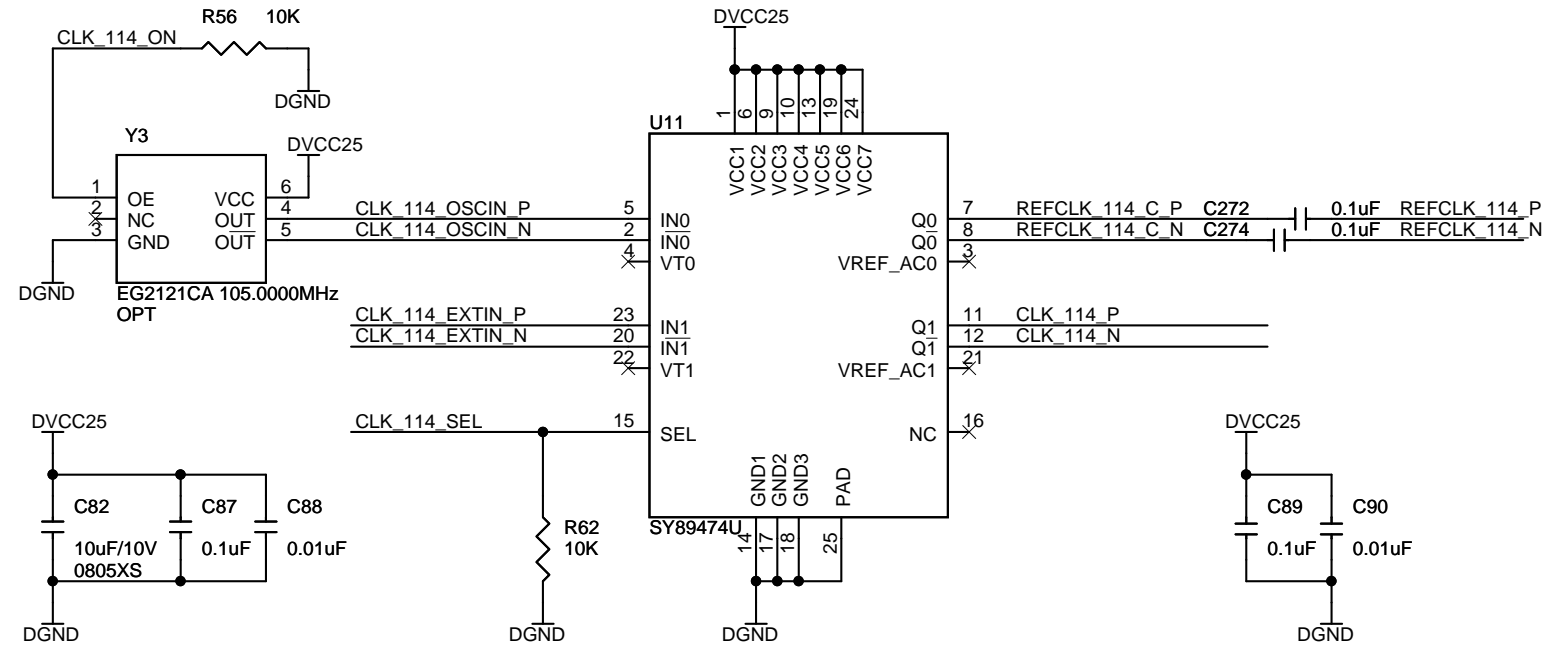
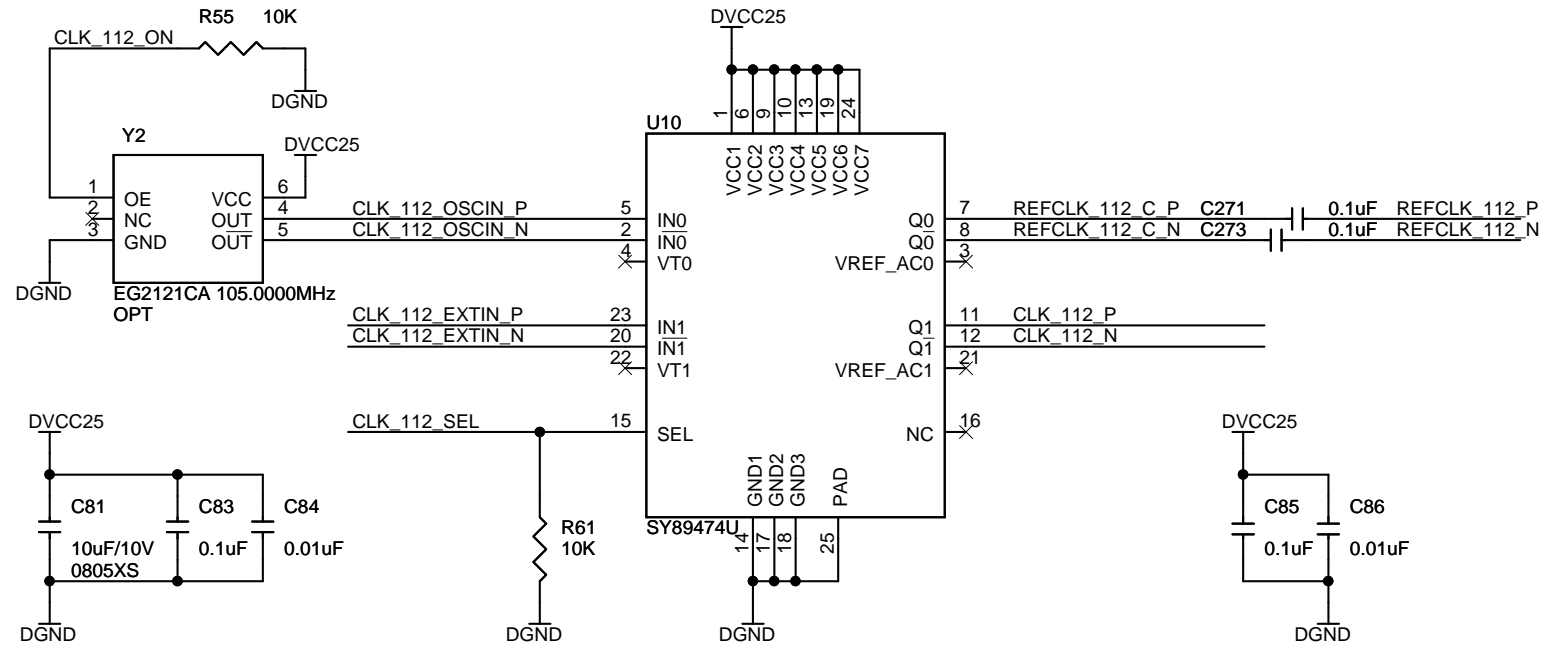
THIS CIRCUIT IS PROPRIETARY TO LINEAR TECHNOLOGY AND SUPPLIED FOR USE WITH LINEAR TECHNOLOGY PARTS.

CONTRACT NO.	1630 McCarthy Blvd. Milpitas, CA 95035		
APPROVALS	Phone: (408)432-1900		
PCB DES. KIM T.	Fax: (408)434-0507		
ENG. GARY YU	LTC Confidential-For Customer Use Only		
TITLE: SCHEMATIC	PSTACHE		
SIZE B	IC NO. DC1371B - HSDAACS	REV 1	
DATE: Friday, October 10, 2014	SHEET 4 OF 16		



NOTES: UNLESS OTHERWISE SPECIFIED
ALL CAPACITORS ARE 0402

CUSTOMER NOTICE LINEAR TECHNOLOGY HAS MADE A BEST EFFORT TO DESIGN A CIRCUIT THAT MEETS CUSTOMER-SUPPLIED SPECIFICATIONS; HOWEVER, IT REMAINS THE CUSTOMER'S RESPONSIBILITY TO VERIFY PROPER AND RELIABLE OPERATION IN THE ACTUAL APPLICATION. COMPONENT SUBSTITUTION AND PRINTED CIRCUIT BOARD LAYOUT MAY SIGNIFICANTLY AFFECT CIRCUIT PERFORMANCE OR RELIABILITY. CONTACT LINEAR TECHNOLOGY APPLICATIONS ENGINEERING FOR ASSISTANCE.	CONTRACT NO.		1630 McCarthy Blvd. Milpitas, CA 95035 Phone: (408)432-1900 Fax: (408)434-0507 LTC Confidential-For Customer Use Only	
	APPROVALS		TITLE: SCHEMATIC	
	PCB DES. KIM T.	ENG. GARY YU	<h1>PSTACHE</h1>	
	<table border="1"> <tr> <td>SIZE B</td> <td>IC NO. DC1371B - HSDAACS</td> <td>REV 1</td> </tr> </table>			
SIZE B	IC NO. DC1371B - HSDAACS	REV 1		
THIS CIRCUIT IS PROPRIETARY TO LINEAR TECHNOLOGY AND SUPPLIED FOR USE WITH LINEAR TECHNOLOGY PARTS.	DATE: Friday, October 10, 2014	SHEET 5 OF 16		

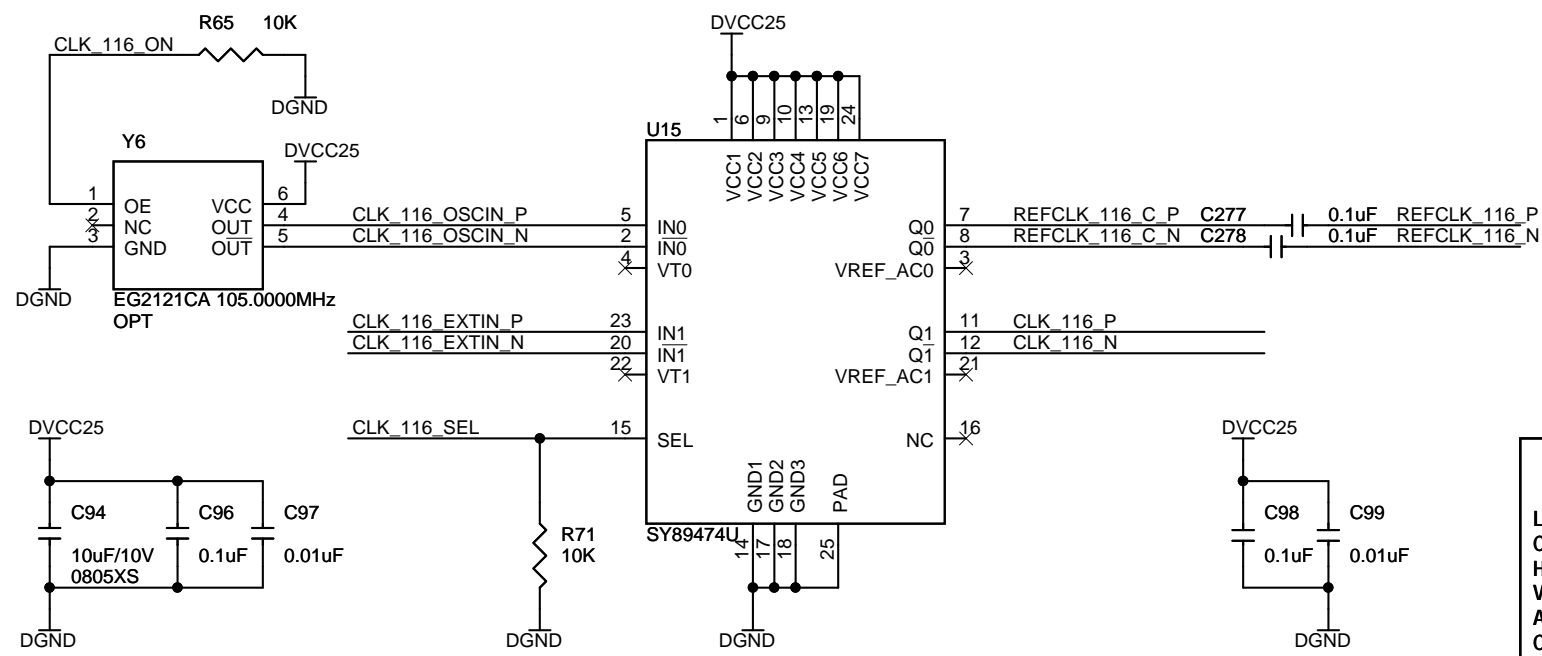
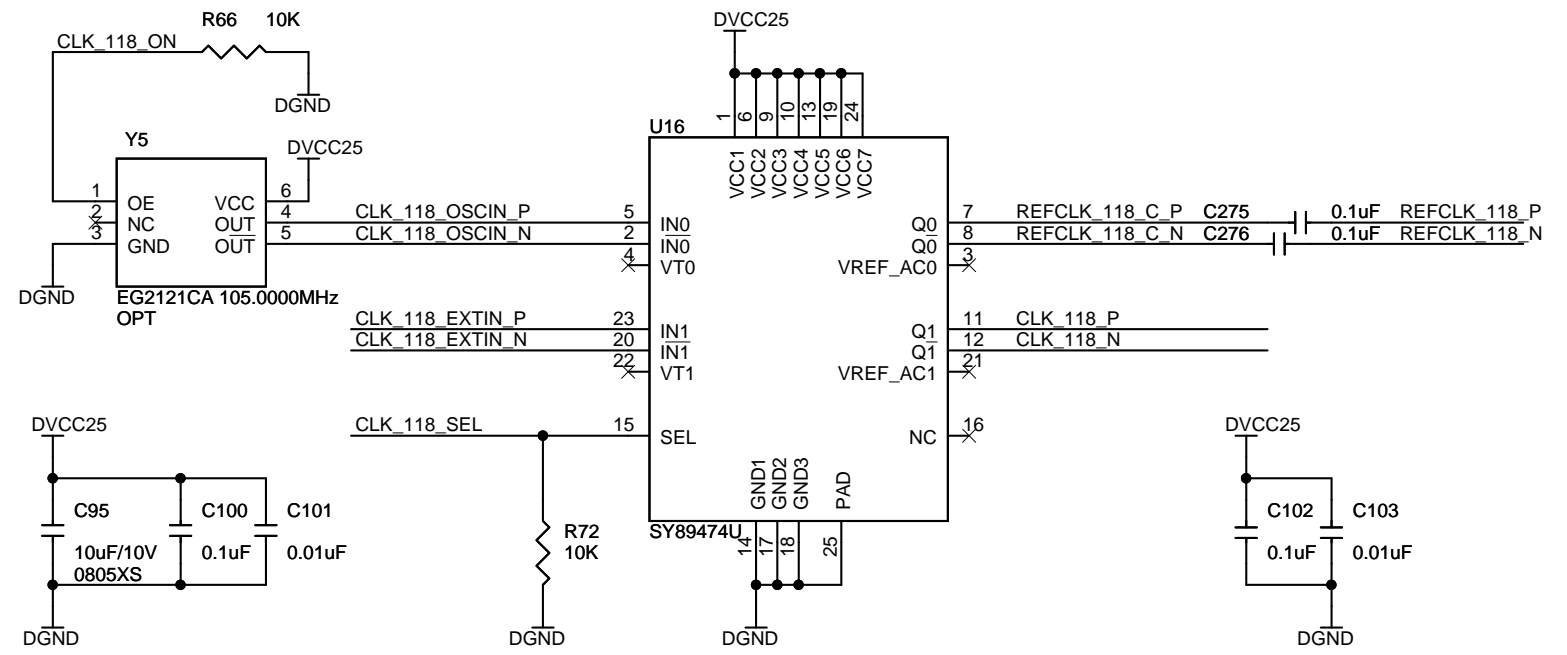
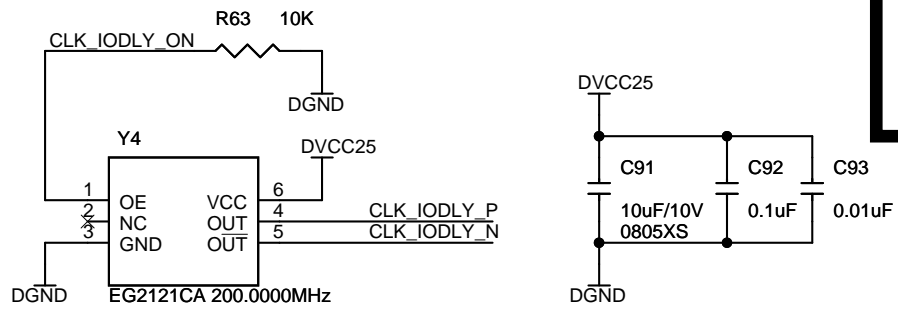


REFCLK_112_P	REFCLK_112_P	7
REFCLK_112_N	REFCLK_112_N	7
CLK_112_P	CLK_112_P	8
CLK_112_N	CLK_112_N	8
CLK_112_SEL	CLK_112_SEL	8
CLK_112_ON	CLK_112_ON	10
REFCLK_116_P	REFCLK_116_P	7
REFCLK_116_N	REFCLK_116_N	7
CLK_116_P	CLK_116_P	8
CLK_116_N	CLK_116_N	8
CLK_116_SEL	CLK_116_SEL	8
CLK_116_ON	CLK_116_ON	10
CLK_IODLY_P	CLK_IODLY_P	8
CLK_IODLY_N	CLK_IODLY_N	8
CLK_IODLY_ON	CLK_IODLY_ON	10

REFCLK_118_P	REFCLK_118_P	7
REFCLK_118_N	REFCLK_118_N	7
CLK_118_P	CLK_118_P	8
CLK_118_N	CLK_118_N	8
CLK_118_SEL	CLK_118_SEL	10
CLK_118_ON	CLK_118_ON	10

REFCLK_114_P	REFCLK_114_P	7
REFCLK_114_N	REFCLK_114_N	7
CLK_114_P	CLK_114_P	8
CLK_114_N	CLK_114_N	8
CLK_114_SEL	CLK_114_SEL	10
CLK_114_ON	CLK_114_ON	10

CLK_112_EXTIN_P	CLK_112_EXTIN_P	12
CLK_112_EXTIN_N	CLK_112_EXTIN_N	12
CLK_114_EXTIN_P	CLK_114_EXTIN_P	12
CLK_114_EXTIN_N	CLK_114_EXTIN_N	12
CLK_116_EXTIN_P	CLK_116_EXTIN_P	12
CLK_116_EXTIN_N	CLK_116_EXTIN_N	12
CLK_118_EXTIN_P	CLK_118_EXTIN_P	12
CLK_118_EXTIN_N	CLK_118_EXTIN_N	12



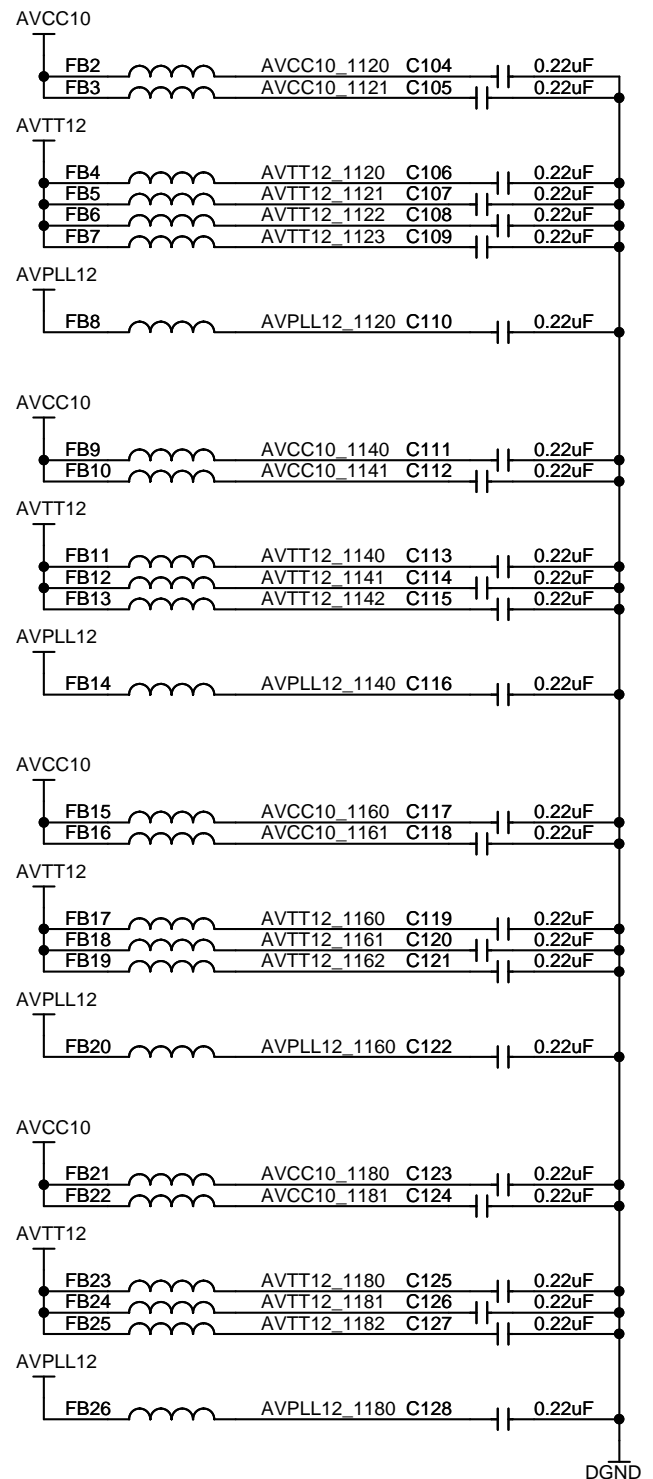
CUSTOMER NOTICE
 LINEAR TECHNOLOGY HAS MADE A BEST EFFORT TO DESIGN A CIRCUIT THAT MEETS CUSTOMER-SUPPLIED SPECIFICATIONS; HOWEVER, IT REMAINS THE CUSTOMER'S RESPONSIBILITY TO VERIFY PROPER AND RELIABLE OPERATION IN THE ACTUAL APPLICATION. COMPONENT SUBSTITUTION AND PRINTED CIRCUIT BOARD LAYOUT MAY SIGNIFICANTLY AFFECT CIRCUIT PERFORMANCE OR RELIABILITY. CONTACT LINEAR TECHNOLOGY APPLICATIONS ENGINEERING FOR ASSISTANCE.

CONTRACT NO.
APPROVALS
PCB DES. KIM T.
ENG. GARY YU

LINEAR TECHNOLOGY
 1630 McCarthy Blvd.
 Milpitas, CA 95035
 Phone: (408)432-1900
 Fax: (408)434-0507
 LTC Confidential-For Customer Use Only

TITLE: SCHEMATIC		
PSTACHE		
SIZE B	IC NO. DC1371B - HSDAACS	REV 1
DATE: Friday, October 10, 2014	SHEET 6 OF 16	

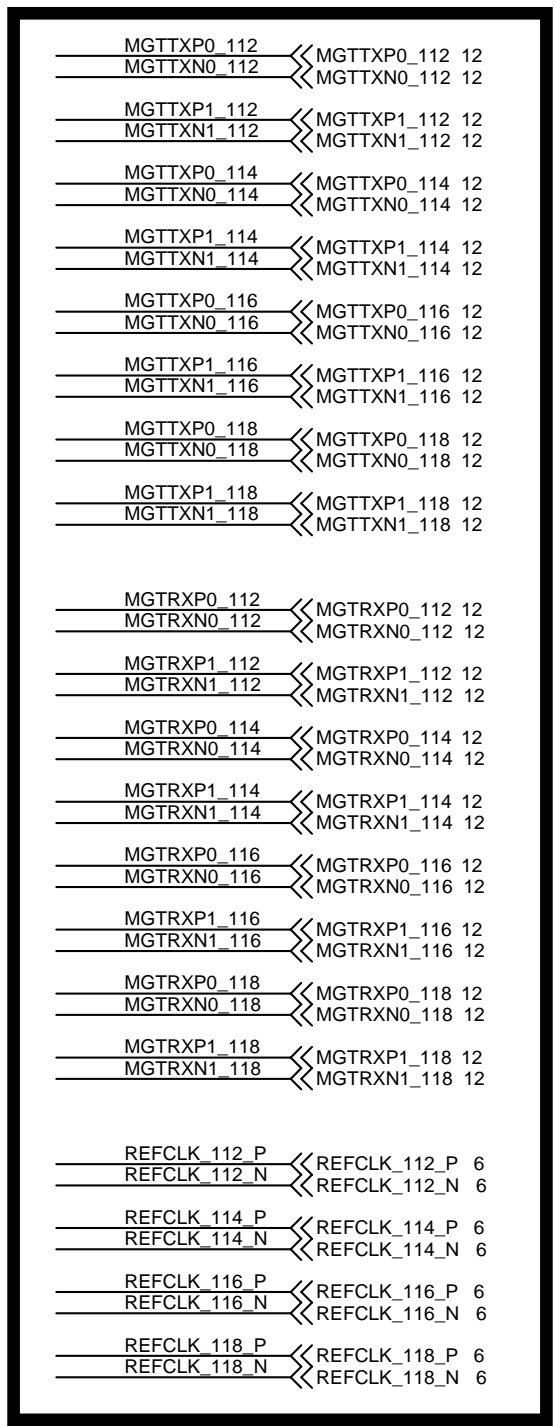
NOTES: UNLESS OTHERWISE SPECIFIED
 1. ALL RESISTORS ARE IN OHMS, 0603.
 2. ALL CAPACITORS ARE 0402



R73
49.9 1%

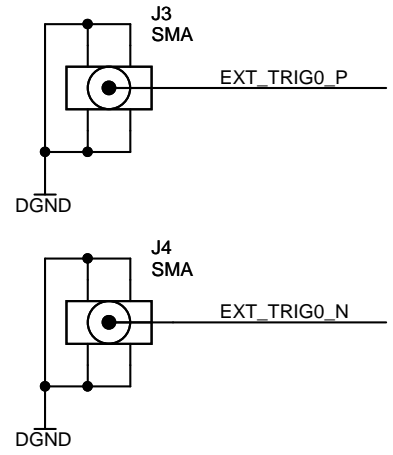
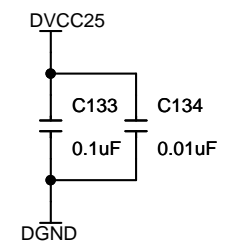
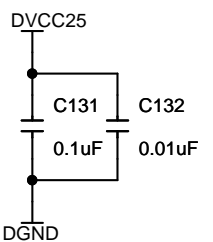
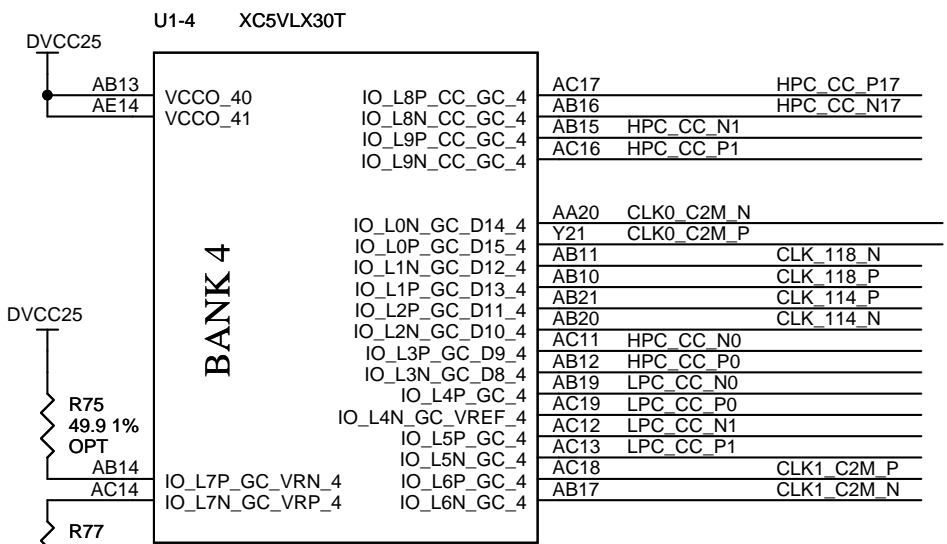
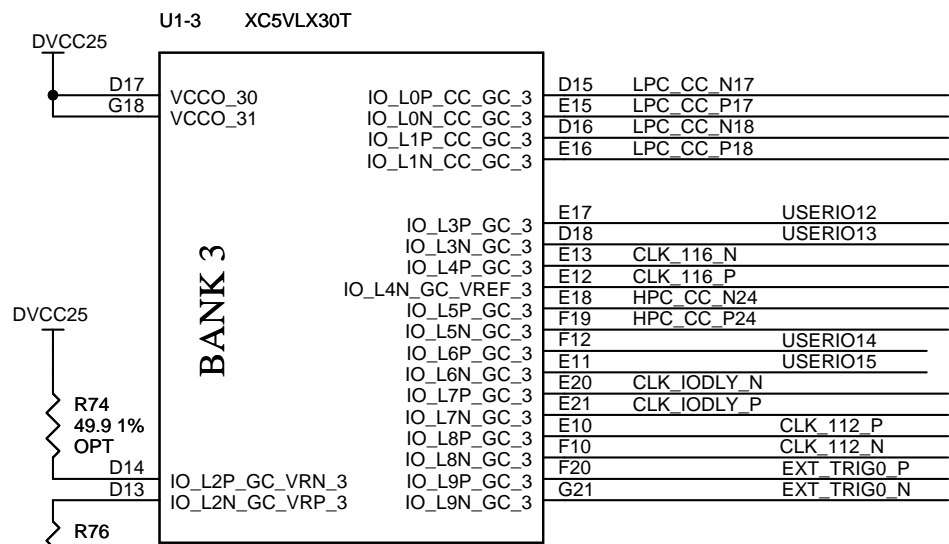
U1-5		XC5VLX30T	
AVCC10_1120 L3	MGTA VCC_1120	MGTR EFLKP_112	K4 REFCLK_112_N
AVCC10_1121 L4	MGTA VCC_1121	MGTR EFLKN_112	K3 REFCLK_112_P
AVTT12_1120 H3	MGTA VTTTX_1120	MGTTXP0_112	H2 MGTTXN0_112
AVTT12_1121 N3	MGTA VTTTX_1121	MGTTXN0_112	J2 MGTTXP0_112
AVTT12_1122 J3	MGTA VTRRX_112	MGTTXP1_112	N2 MGTTXP1_112
AVPLL12_1120 M3	MGTA VCCPLL_112	MGTTXN1_112	M2 MGTTXN1_112
AVTT12_1123 P5	MGTA VTRXC	MGTRXP0_112	J1 MGTRXN0_112
AVTT12_R_1121 P4	MGTR REF_112	MGTRXN0_112	K1 MGTRXP0_112
		MGTRXP1_112	M1 MGTRXP1_112
		MGTRXN1_112	L1 MGTRXN1_112
AVCC10_1140 U3	MGTA VCC_1140	MGTR EFLKP_114	T4 REFCLK_114_N
AVCC10_1141 U4	MGTA VCC_1141	MGTR EFLKN_114	T3 REFCLK_114_P
AVTT12_1140 P3	MGTA VTTTX_1140	MGTTXP0_114	P2 MGTTXN0_114
AVTT12_1141 W3	MGTA VTTTX_1141	MGTTXN0_114	R2 MGTTXP0_114
AVTT12_1142 R3	MGTA VTRRX_114	MGTTXP1_114	W2 MGTTXP1_114
AVPLL12_1140 V3	MGTA VCCPLL_114	MGTTXN1_114	V2 MGTTXN1_114
		MGTRXP0_114	R1 MGTRXN0_114
		MGTRXN0_114	T1 MGTRXP0_114
		MGTRXP1_114	V1 MGTRXP1_114
		MGTRXN1_114	U1 MGTRXN1_114
AVCC10_1160 E3	MGTA VCC_1160	MGTR EFLKP_116	D4 REFCLK_116_N
AVCC10_1161 E4	MGTA VCC_1161	MGTR EFLKN_116	D3 REFCLK_116_P
AVTT12_1160 B3	MGTA VTTTX_1160	MGTTXP0_116	B2 MGTTXN0_116
AVTT12_1161 G3	MGTA VTTTX_1161	MGTTXN0_116	C2 MGTTXP0_116
AVTT12_1162 C3	MGTA VTRRX_116	MGTTXP1_116	G2 MGTTXP1_116
AVPLL12_1160 F3	MGTA VCCPLL_116	MGTTXN1_116	F2 MGTTXN1_116
		MGTRXP0_116	C1 MGTRXN0_116
		MGTRXN0_116	D1 MGTRXP0_116
		MGTRXP1_116	F1 MGTRXP1_116
		MGTRXN1_116	E1 MGTRXN1_116
AVCC10_1180 AC3	MGTA VCC_1180	MGTR EFLKP_118	AB4 REFCLK_118_N
AVCC10_1181 AC4	MGTA VCC_1181	MGTR EFLKN_118	AB3 REFCLK_118_P
AVTT12_1180 Y3	MGTA VTTTX_1180	MGTTXP0_118	Y2 MGTTXN0_118
AVTT12_1181 AE3	MGTA VTTTX_1181	MGTTXN0_118	AA2 MGTTXP0_118
AVTT12_1182 AA3	MGTA VTRRX_118	MGTTXP1_118	AE2 MGTTXP1_118
AVPLL12_1180 AD3	MGTA VCCPLL_118	MGTTXN1_118	AD2 MGTTXN1_118
		MGTRXP0_118	AA1 MGTRXN0_118
		MGTRXN0_118	AB1 MGTRXP0_118
		MGTRXP1_118	AD1 MGTRXP1_118
		MGTRXN1_118	AC1 MGTRXN1_118

BANK NAA



NOTES: UNLESS OTHERWISE SPECIFIED
 1. ALL RESISTORS ARE IN OHMS, 0603.
 2. ALL CAPACITORS ARE 0402
 3. ALL FERRITE BEADS ARE MPZ1608S221A

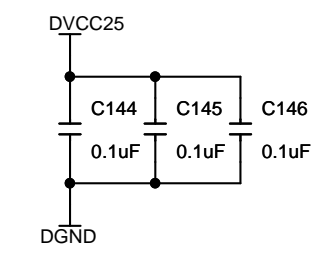
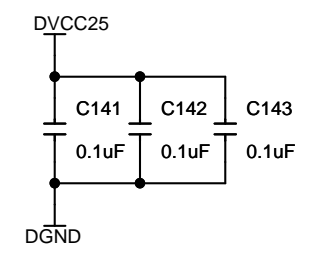
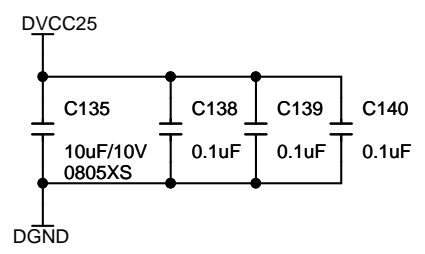
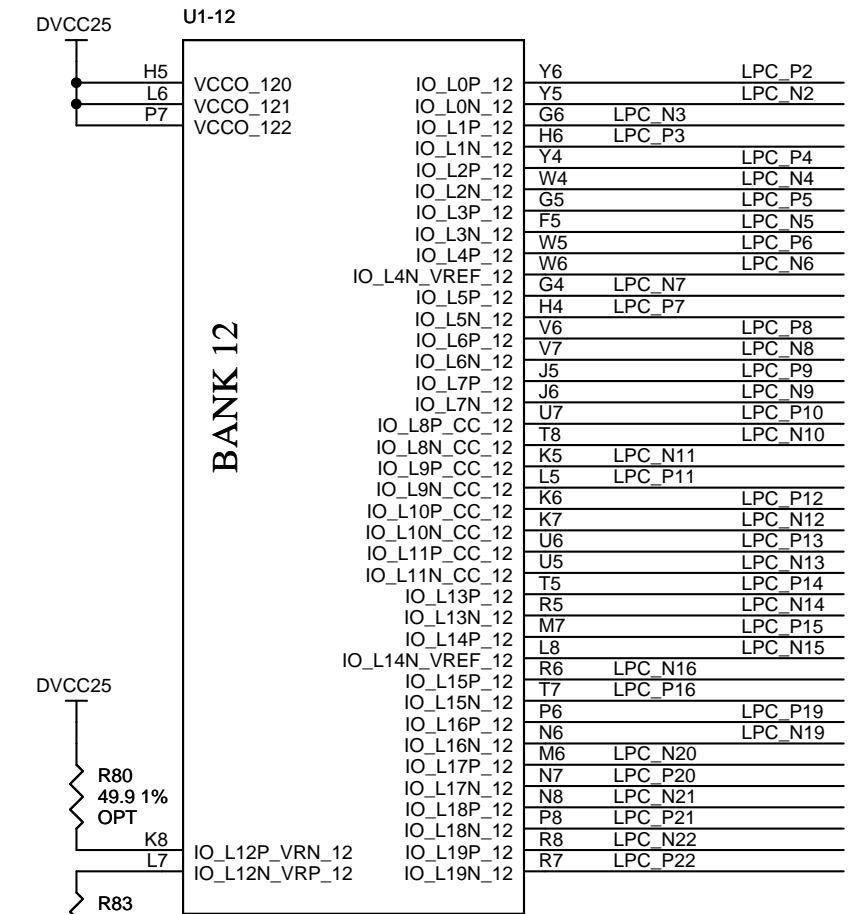
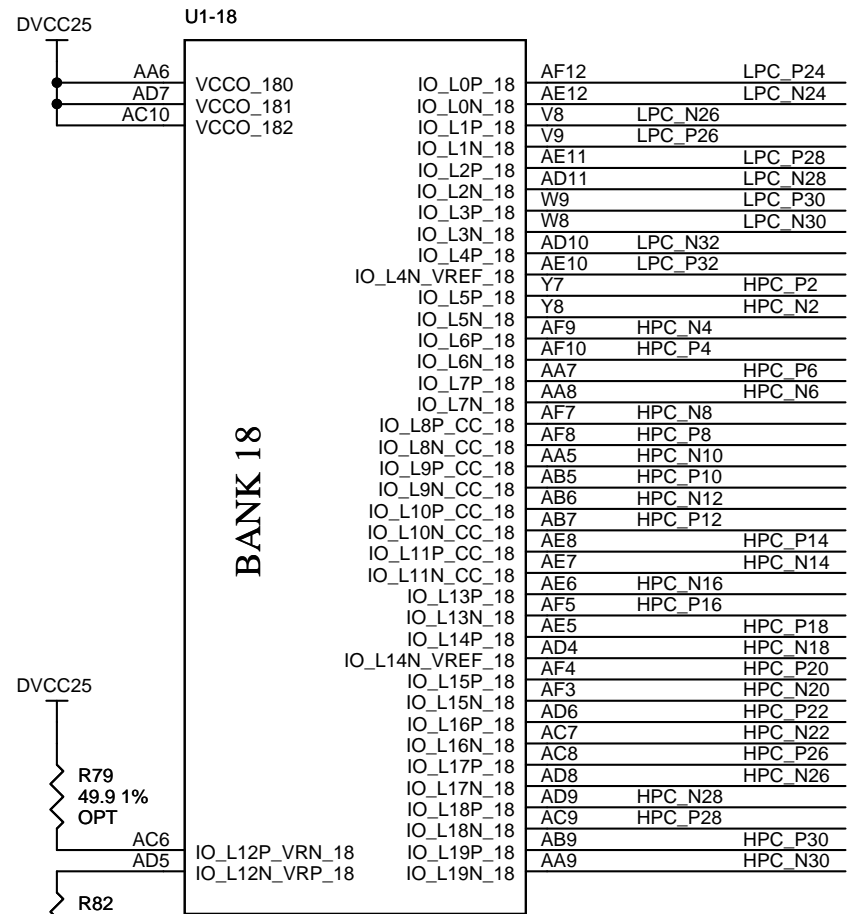
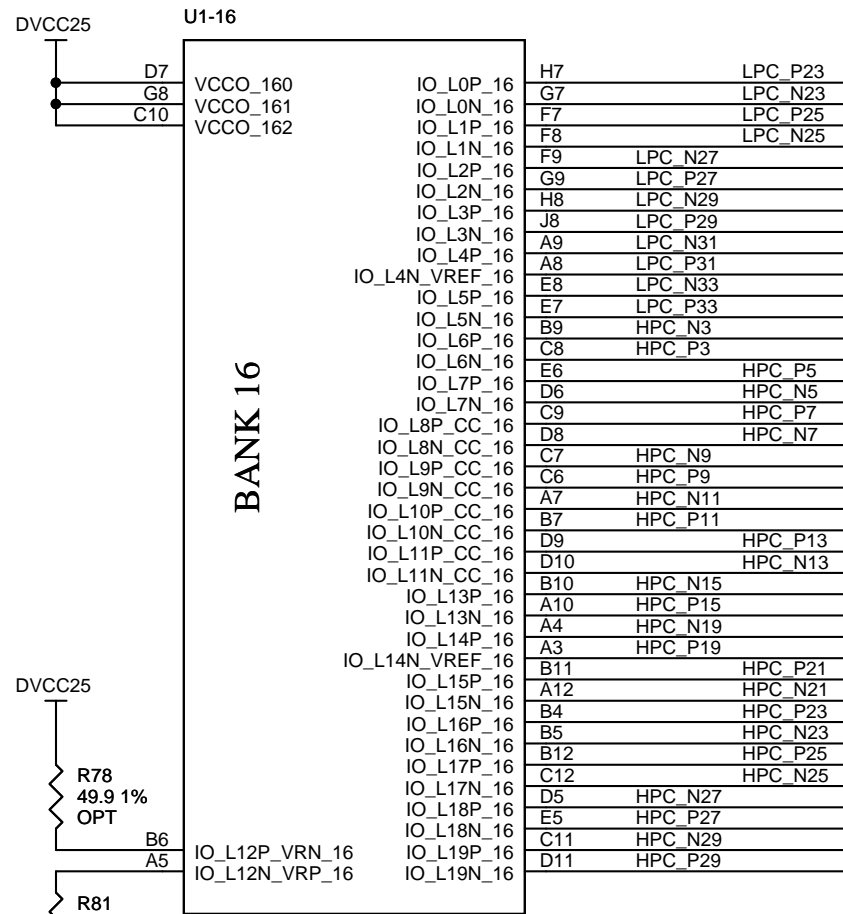
CUSTOMER NOTICE LINEAR TECHNOLOGY HAS MADE A BEST EFFORT TO DESIGN A CIRCUIT THAT MEETS CUSTOMER-SUPPLIED SPECIFICATIONS; HOWEVER, IT REMAINS THE CUSTOMER'S RESPONSIBILITY TO VERIFY PROPER AND RELIABLE OPERATION IN THE ACTUAL APPLICATION. COMPONENT SUBSTITUTION AND PRINTED CIRCUIT BOARD LAYOUT MAY SIGNIFICANTLY AFFECT CIRCUIT PERFORMANCE OR RELIABILITY. CONTACT LINEAR TECHNOLOGY APPLICATIONS ENGINEERING FOR ASSISTANCE.	CONTRACT NO.	1630 McCarthy Blvd. Milpitas, CA 95035 Phone: (408)432-1900 Fax: (408)434-0507 LTC Confidential-For Customer Use Only	TITLE: SCHEMATIC	
	APPROVALS		<h1>PSTACHE</h1>	
	PCB DES. KIM T.			
	ENG. GARY YU			
THIS CIRCUIT IS PROPRIETARY TO LINEAR TECHNOLOGY AND SUPPLIED FOR USE WITH LINEAR TECHNOLOGY PARTS.	SIZE B	IC NO.	<h1>DC1371B - HSDAACS</h1>	
	DATE: Friday, October 10, 2014		REV 1	
			SHEET 7 OF 16	



CLK0_C2M_P	CLK0_C2M_P	12
CLK0_C2M_N	CLK0_C2M_N	12
CLK1_C2M_P	CLK1_C2M_P	12
CLK1_C2M_N	CLK1_C2M_N	12
LPC_CC_P0	LPC_CC_P0	12
LPC_CC_N0	LPC_CC_N0	12
LPC_CC_P1	LPC_CC_P1	12
LPC_CC_N1	LPC_CC_N1	12
LPC_CC_P17	LPC_CC_P17	12
LPC_CC_N17	LPC_CC_N17	12
LPC_CC_P18	LPC_CC_P18	12
LPC_CC_N18	LPC_CC_N18	12
HPC_CC_P0	HPC_CC_P0	12
HPC_CC_N0	HPC_CC_N0	12
HPC_CC_P1	HPC_CC_P1	12
HPC_CC_N1	HPC_CC_N1	12
HPC_CC_P17	HPC_CC_P17	12
HPC_CC_N17	HPC_CC_N17	12
HPC_CC_P24	HPC_CC_P24	12
HPC_CC_N24	HPC_CC_N24	12
HPC_CC_P30	HPC_CC_P30	9,12
HPC_CC_N30	HPC_CC_N30	9,12
HPC_CC_P41	HPC_CC_P41	10,12
HPC_CC_N41	HPC_CC_N41	10,12
CLK_112_P	CLK_112_P	6
CLK_112_N	CLK_112_N	6
CLK_114_P	CLK_114_P	6
CLK_114_N	CLK_114_N	6
CLK_116_P	CLK_116_P	6
CLK_116_N	CLK_116_N	6
CLK_118_P	CLK_118_P	6
CLK_118_N	CLK_118_N	6
CLK_118_P	CLK_118_P	6
CLK_118_N	CLK_118_N	6
CLK_IODLY_P	CLK_IODLY_P	6
CLK_IODLY_N	CLK_IODLY_N	6
USERIO[24:0]	USERIO[24:0]	1,3,10

NOTES: UNLESS OTHERWISE SPECIFIED
 1. ALL RESISTORS ARE IN OHMS, 0603.
 2. ALL CAPACITORS ARE 0402

CUSTOMER NOTICE LINEAR TECHNOLOGY HAS MADE A BEST EFFORT TO DESIGN A CIRCUIT THAT MEETS CUSTOMER-SUPPLIED SPECIFICATIONS; HOWEVER, IT REMAINS THE CUSTOMER'S RESPONSIBILITY TO VERIFY PROPER AND RELIABLE OPERATION IN THE ACTUAL APPLICATION. COMPONENT SUBSTITUTION AND PRINTED CIRCUIT BOARD LAYOUT MAY SIGNIFICANTLY AFFECT CIRCUIT PERFORMANCE OR RELIABILITY. CONTACT LINEAR TECHNOLOGY APPLICATIONS ENGINEERING FOR ASSISTANCE.	CONTRACT NO.	1630 McCarthy Blvd. Milpitas, CA 95035 Phone: (408)432-1900 Fax: (408)434-0507 LTC Confidential-For Customer Use Only	PSTACHE DC1371B - HSDAACS		REV		
	APPROVALS				TITLE: SCHEMATIC	1	
	PCB DES. KIM T.				ENG. GARY YU	DATE: Friday, October 10, 2014	SHEET 8 OF 16
	THIS CIRCUIT IS PROPRIETARY TO LINEAR TECHNOLOGY AND SUPPLIED FOR USE WITH LINEAR TECHNOLOGY PARTS.				SIZE B	IC NO.	

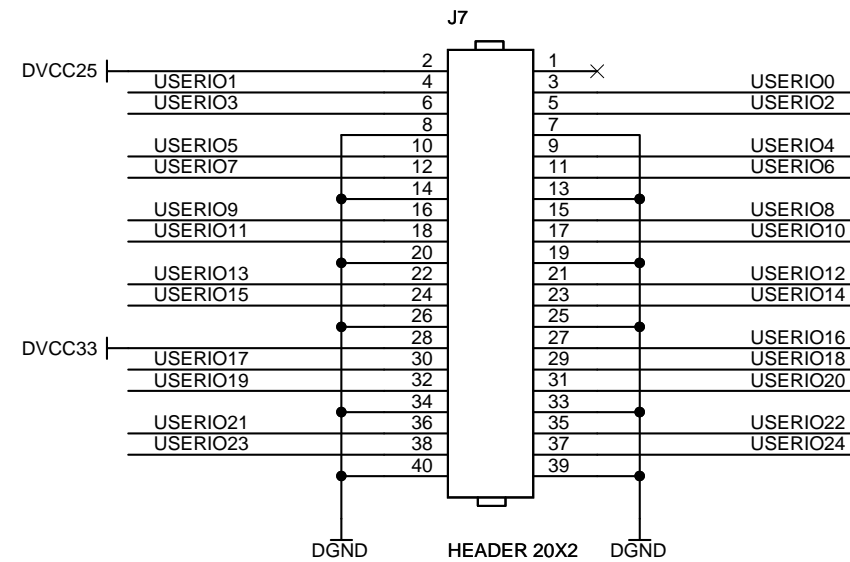
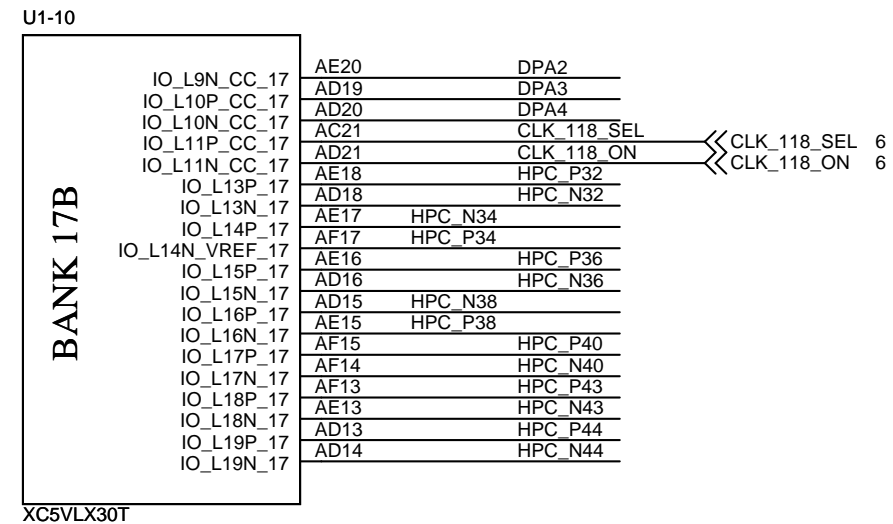
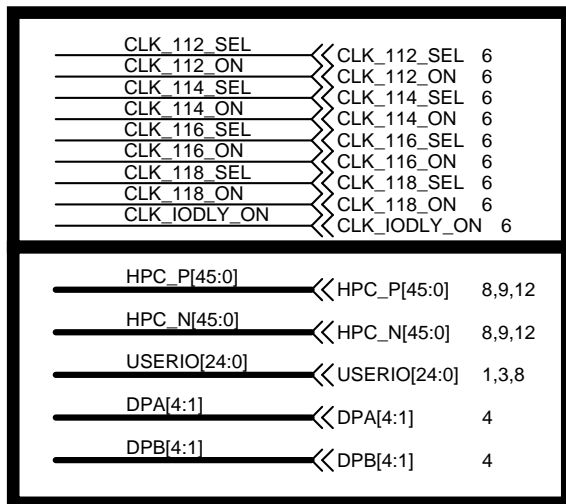
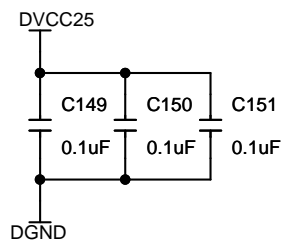
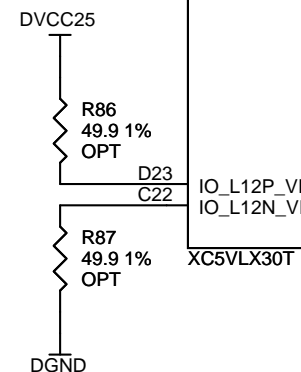
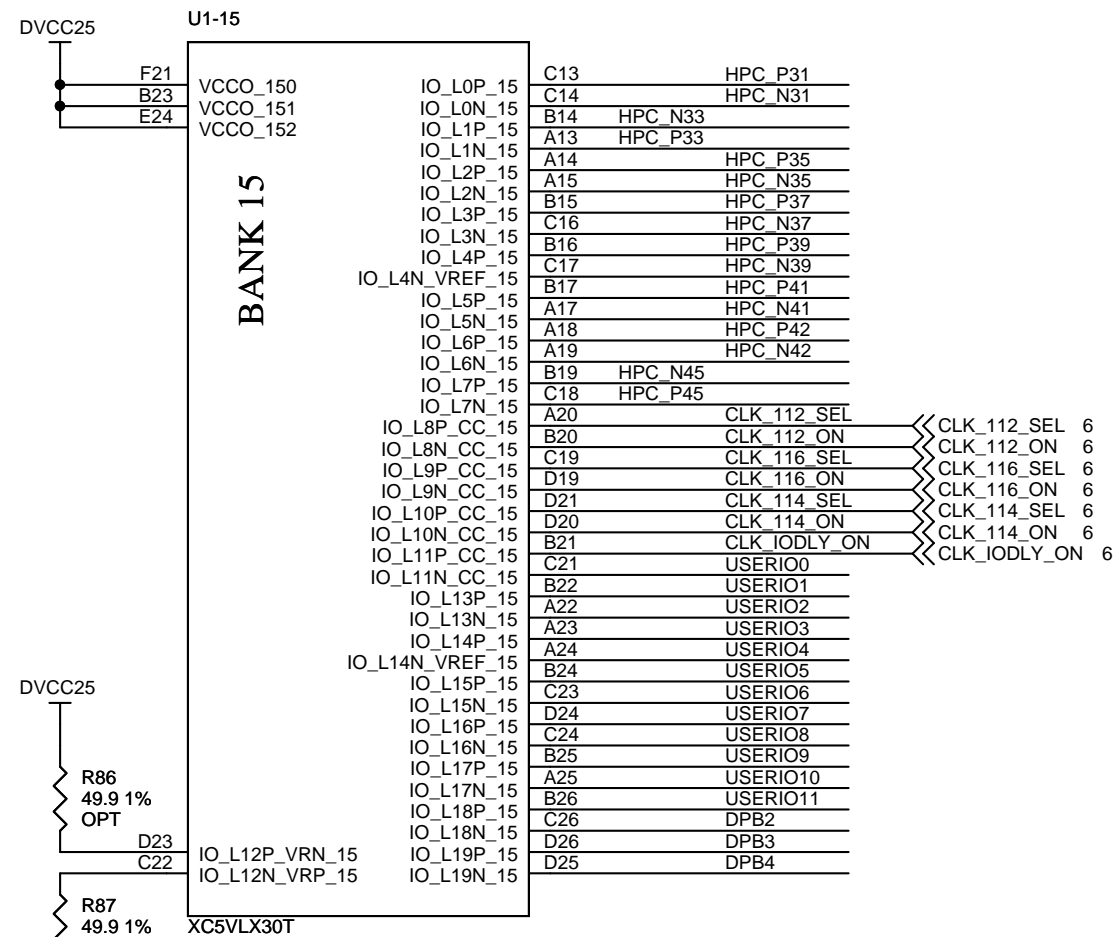


LPC_P[33:0]	<< LPC_P[33:0]	8,12
LPC_N[33:0]	<< LPC_N[33:0]	8,12
HPC_P[45:0]	<< HPC_P[45:0]	8,10,12
HPC_N[45:0]	<< HPC_N[45:0]	8,10,12

NOTES: UNLESS OTHERWISE SPECIFIED

- ALL RESISTORS ARE IN OHMS, 0603.
- ALL CAPACITORS ARE 0402

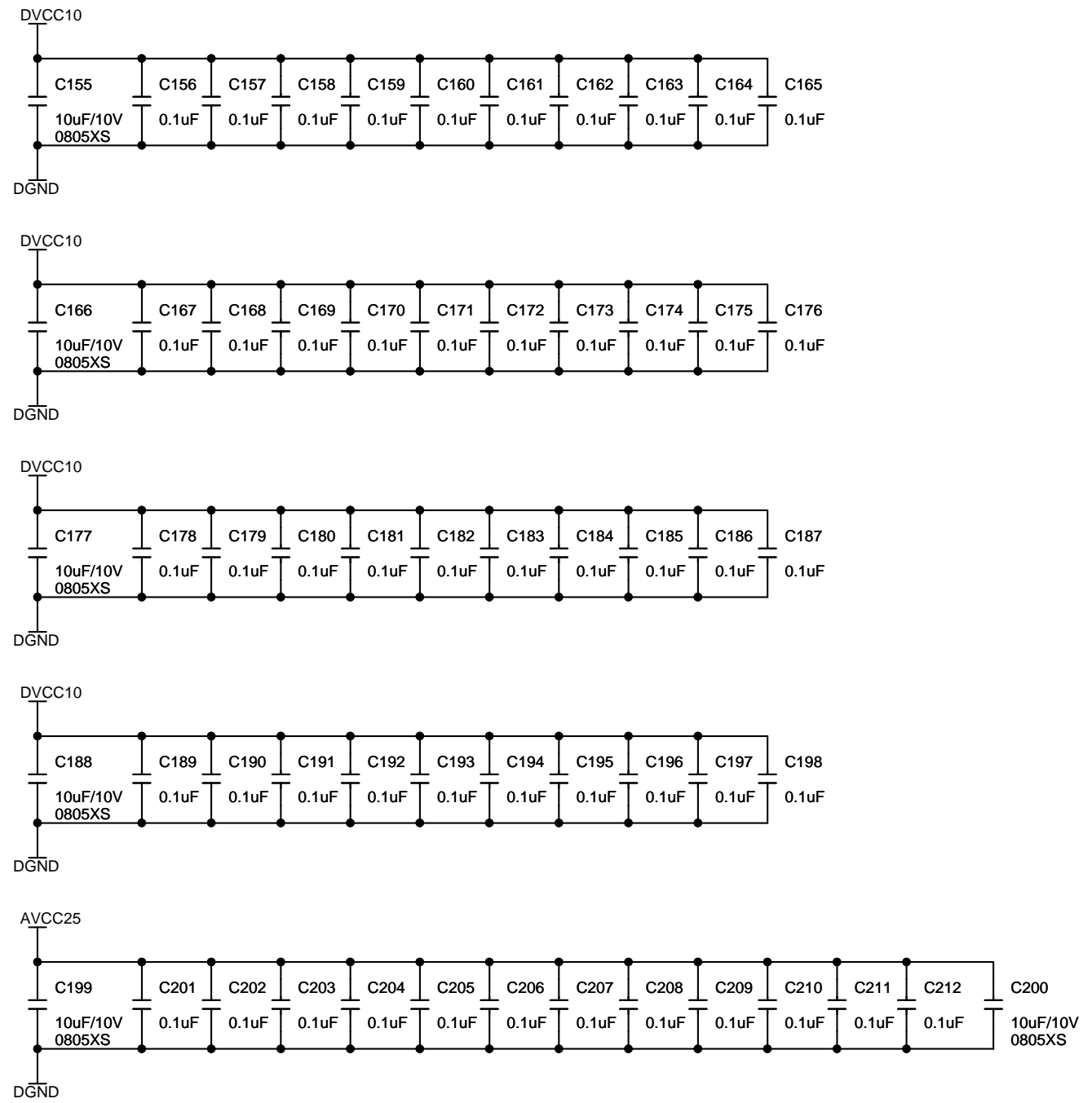
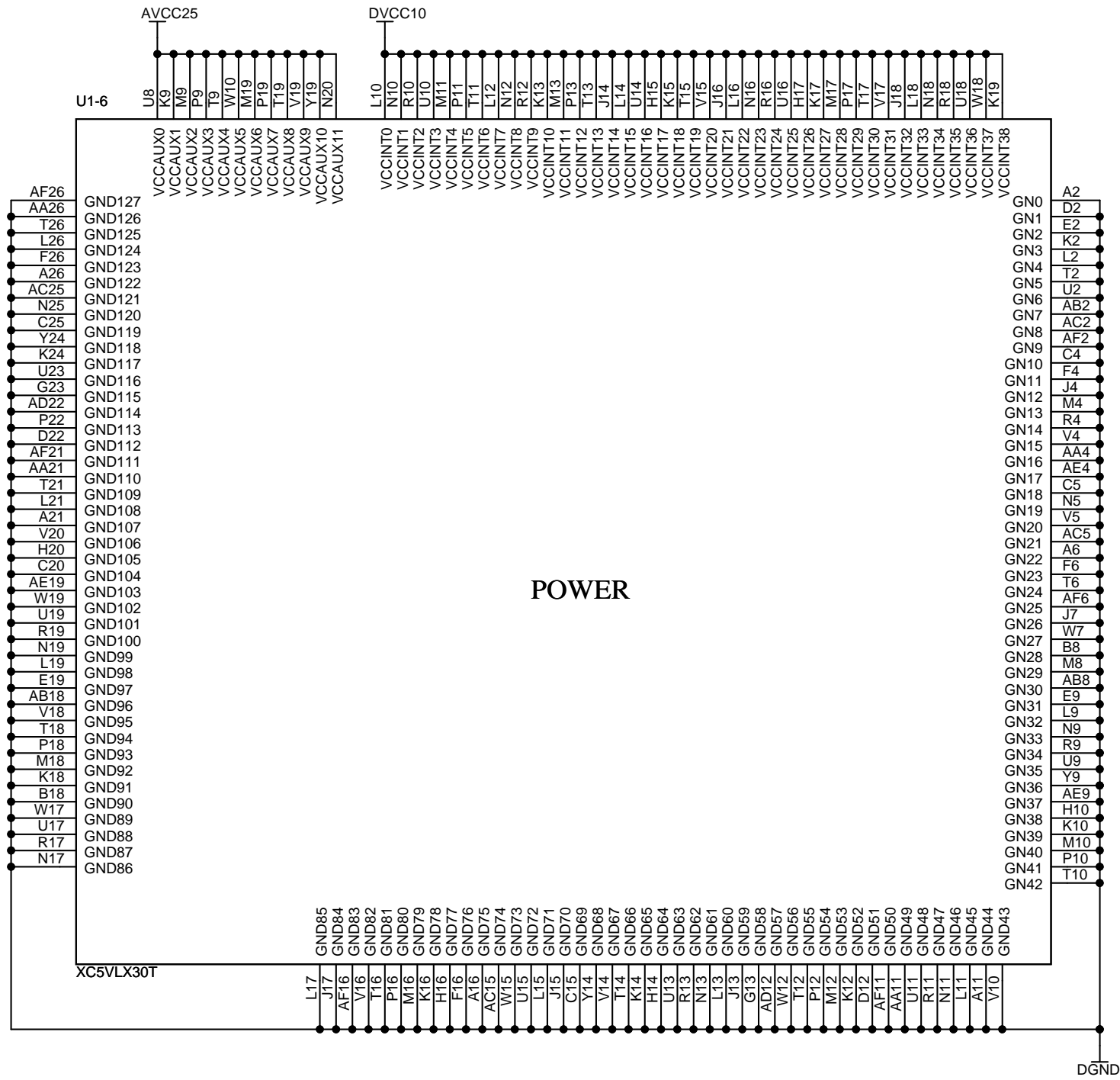
<p align="center">CUSTOMER NOTICE</p> <p>LINEAR TECHNOLOGY HAS MADE A BEST EFFORT TO DESIGN A CIRCUIT THAT MEETS CUSTOMER-SUPPLIED SPECIFICATIONS; HOWEVER, IT REMAINS THE CUSTOMER'S RESPONSIBILITY TO VERIFY PROPER AND RELIABLE OPERATION IN THE ACTUAL APPLICATION. COMPONENT SUBSTITUTION AND PRINTED CIRCUIT BOARD LAYOUT MAY SIGNIFICANTLY AFFECT CIRCUIT PERFORMANCE OR RELIABILITY. CONTACT LINEAR TECHNOLOGY APPLICATIONS ENGINEERING FOR ASSISTANCE.</p>		CONTRACT NO.		<p>1630 McCarthy Blvd. Milpitas, CA 95035 Phone: (408)432-1900 Fax: (408)434-0507 LTC Confidential-For Customer Use Only</p>
		APPROVALS		
PCB DES. KIM T.		ENG. GARY YU		TITLE: SCHEMATIC
THIS CIRCUIT IS PROPRIETARY TO LINEAR TECHNOLOGY AND SUPPLIED FOR USE WITH LINEAR TECHNOLOGY PARTS.		DATE: Friday, October 10, 2014		<p align="center">DC1371B - HSDAACS</p>
		SHEET 9 OF 16		REV 1



<p>CUSTOMER NOTICE</p> <p>LINEAR TECHNOLOGY HAS MADE A BEST EFFORT TO DESIGN A CIRCUIT THAT MEETS CUSTOMER-SUPPLIED SPECIFICATIONS; HOWEVER, IT REMAINS THE CUSTOMER'S RESPONSIBILITY TO VERIFY PROPER AND RELIABLE OPERATION IN THE ACTUAL APPLICATION. COMPONENT SUBSTITUTION AND PRINTED CIRCUIT BOARD LAYOUT MAY SIGNIFICANTLY AFFECT CIRCUIT PERFORMANCE OR RELIABILITY. CONTACT LINEAR TECHNOLOGY APPLICATIONS ENGINEERING FOR ASSISTANCE.</p> <p>THIS CIRCUIT IS PROPRIETARY TO LINEAR TECHNOLOGY AND SUPPLIED FOR USE WITH LINEAR TECHNOLOGY PARTS.</p>	<p>CONTRACT NO.</p>	<p>1630 McCarthy Blvd. Milpitas, CA 95035 Phone: (408)432-1900 Fax: (408)434-0507 LTC Confidential-For Customer Use Only</p>	
	<p>APPROVALS</p>	<p>LINEAR TECHNOLOGY</p>	
	<p>PCB DES. KIM T.</p>		
	<p>ENG. GARY YU</p>	<p>TITLE: SCHEMATIC</p>	<p>PSTACHE</p>
<p>DATE: Friday, October 10, 2014</p>	<p>SIZE B</p>	<p>IC NO. DC1371B - HSDAACS</p>	
<p>SHEET 10 OF 16</p>		<p>DATE: Friday, October 10, 2014</p>	

NOTES: UNLESS OTHERWISE SPECIFIED

- ALL RESISTORS ARE IN OHMS, 0603.
- ALL CAPACITORS ARE 0402



CUSTOMER NOTICE

LINEAR TECHNOLOGY HAS MADE A BEST EFFORT TO DESIGN A CIRCUIT THAT MEETS CUSTOMER-SUPPLIED SPECIFICATIONS; HOWEVER, IT REMAINS THE CUSTOMER'S RESPONSIBILITY TO VERIFY PROPER AND RELIABLE OPERATION IN THE ACTUAL APPLICATION. COMPONENT SUBSTITUTION AND PRINTED CIRCUIT BOARD LAYOUT MAY SIGNIFICANTLY AFFECT CIRCUIT PERFORMANCE OR RELIABILITY. CONTACT LINEAR TECHNOLOGY APPLICATIONS ENGINEERING FOR ASSISTANCE.

THIS CIRCUIT IS PROPRIETARY TO LINEAR TECHNOLOGY AND SUPPLIED FOR USE WITH LINEAR TECHNOLOGY PARTS.

CONTRACT NO.

APPROVALS

PCB DES. KIM T.

ENG. GARY YU



1630 McCarthy Blvd.
Milpitas, CA 95035
Phone: (408)432-1900
Fax: (408)434-0507
LTC Confidential-For Customer Use Only

TITLE: SCHEMATIC

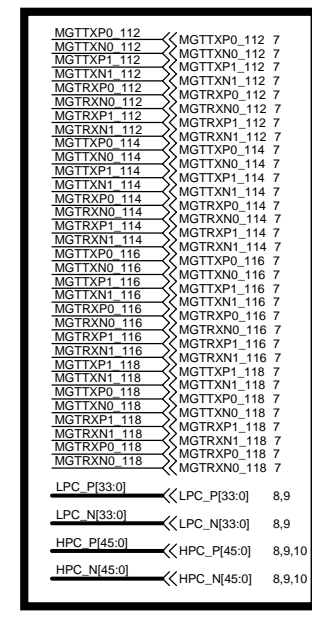
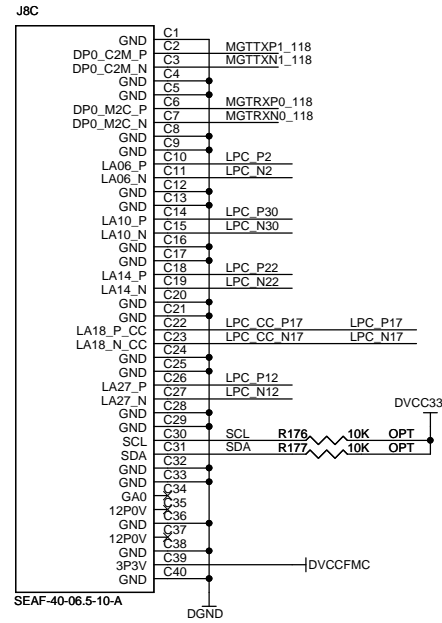
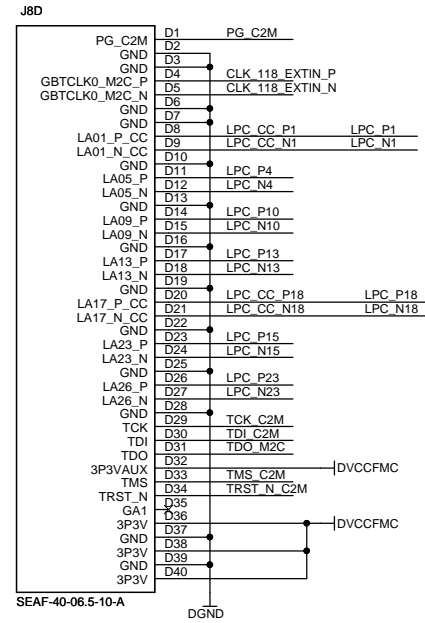
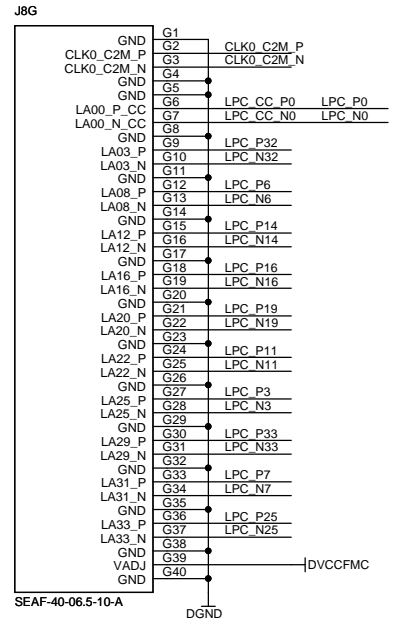
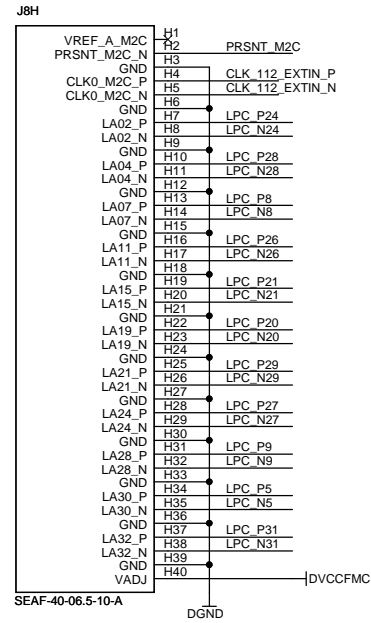
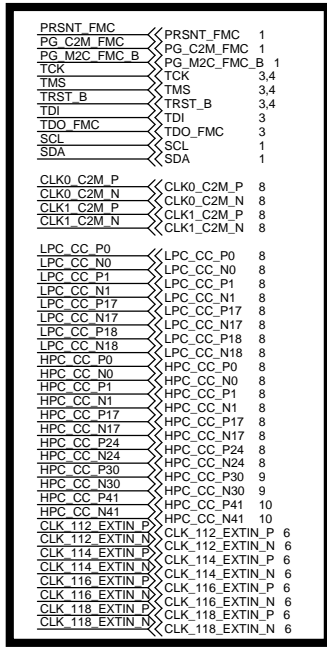
PSTACHE

SIZE B	IC NO. DC1371B - HSDAACS	REV 1
-----------	------------------------------------	----------

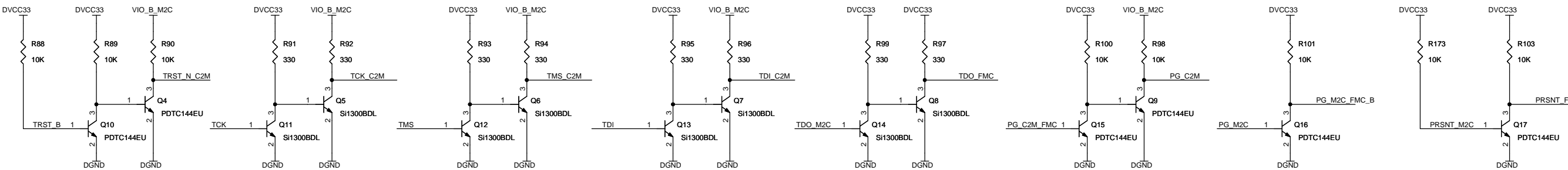
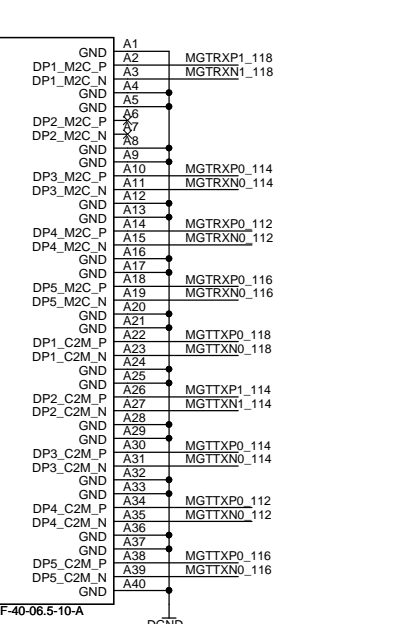
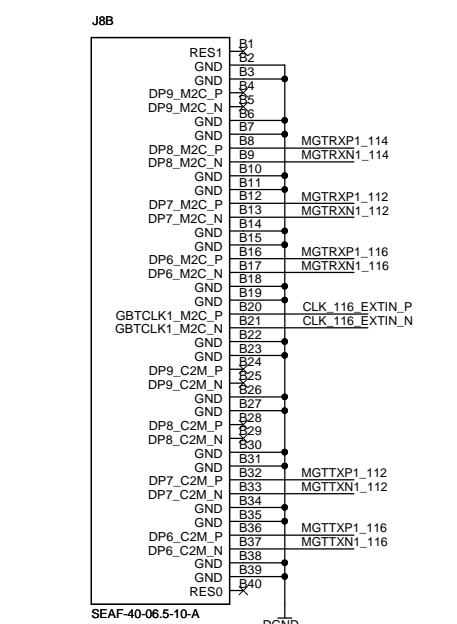
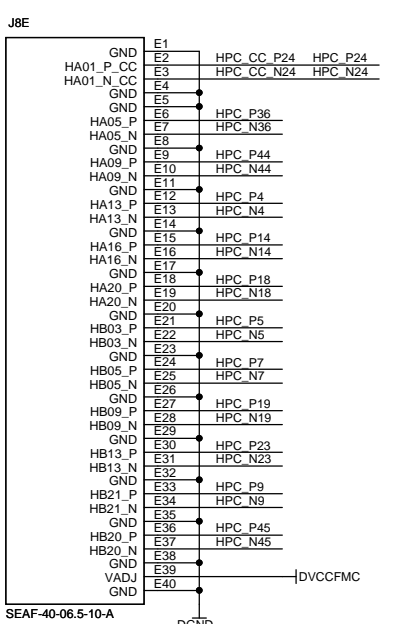
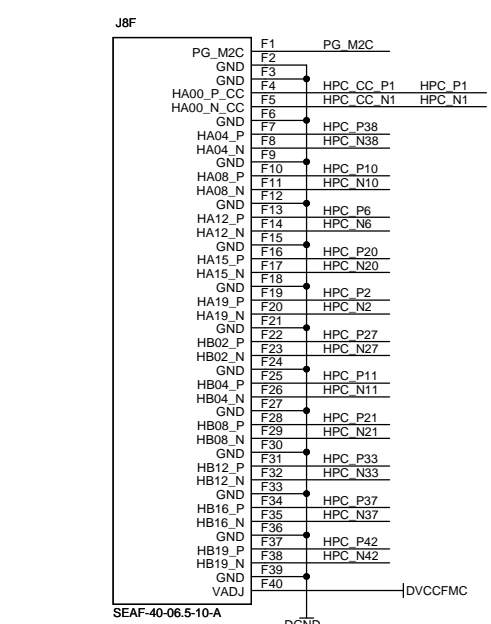
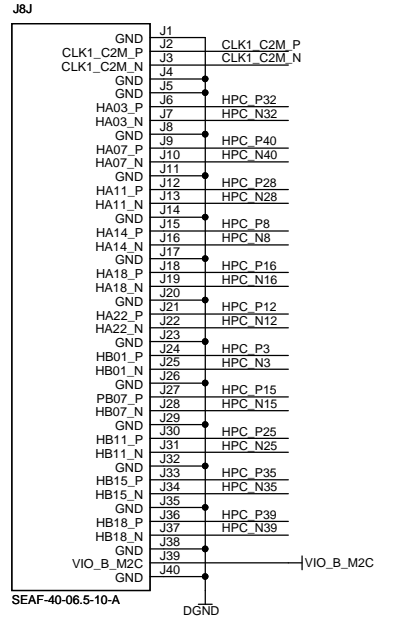
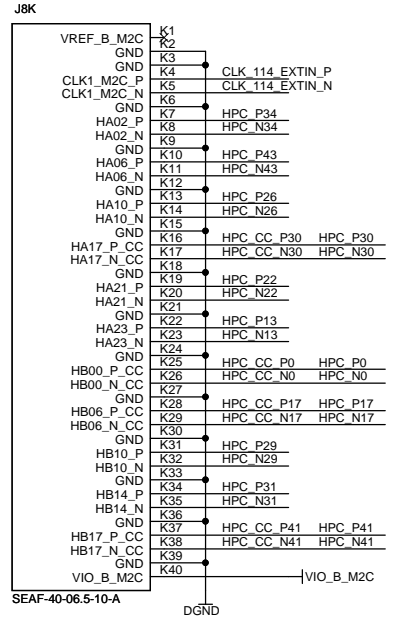
DATE: Friday, October 10, 2014 SHEET 11 OF 16

NOTES: UNLESS OTHERWISE SPECIFIED
ALL CAPACITORS ARE 0402

LOW PIN COUNT

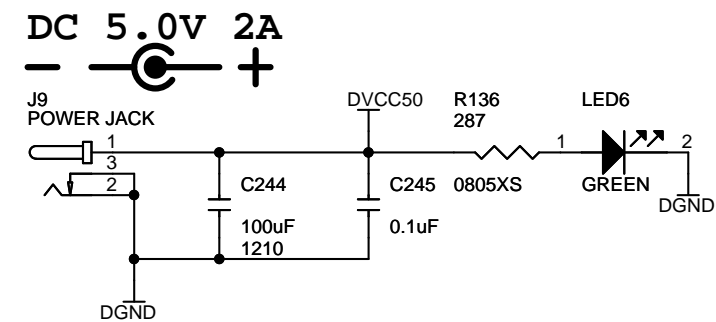
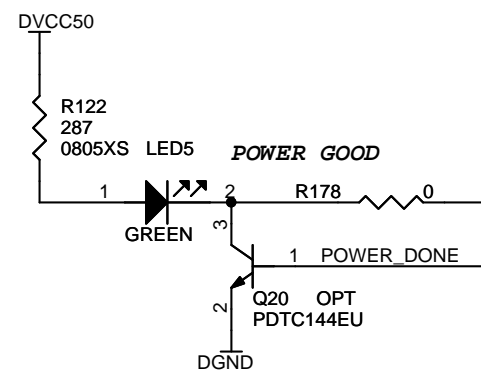
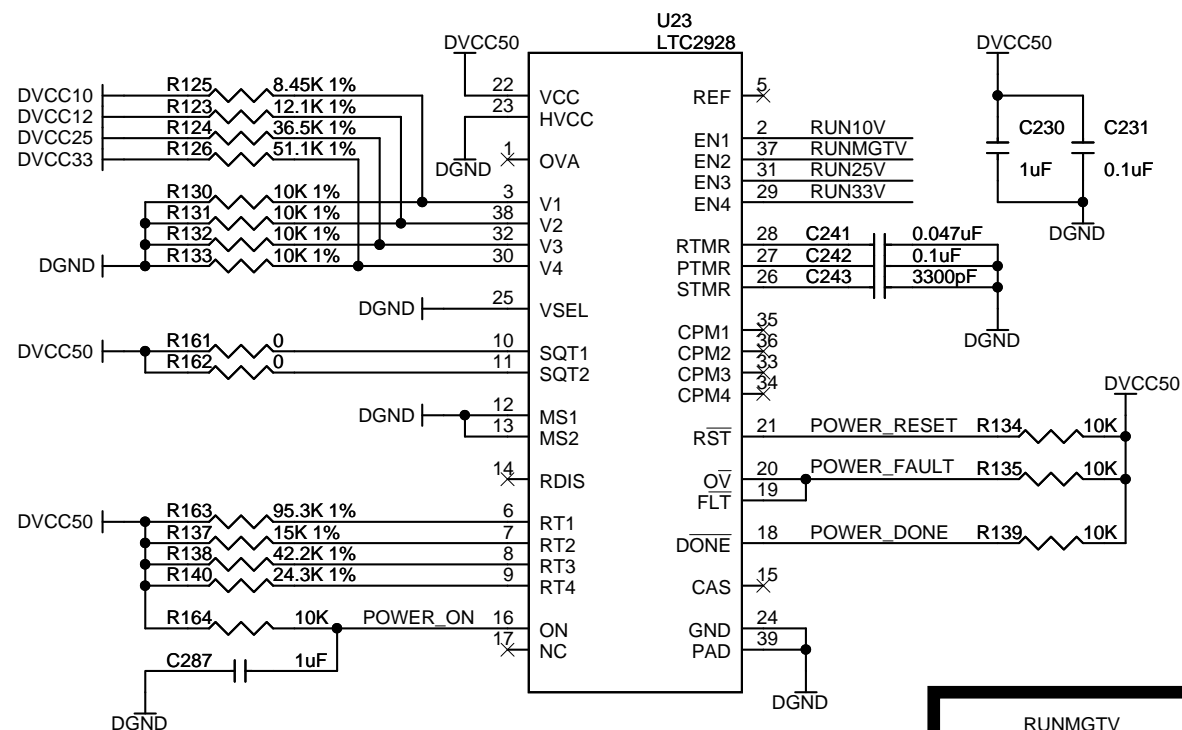
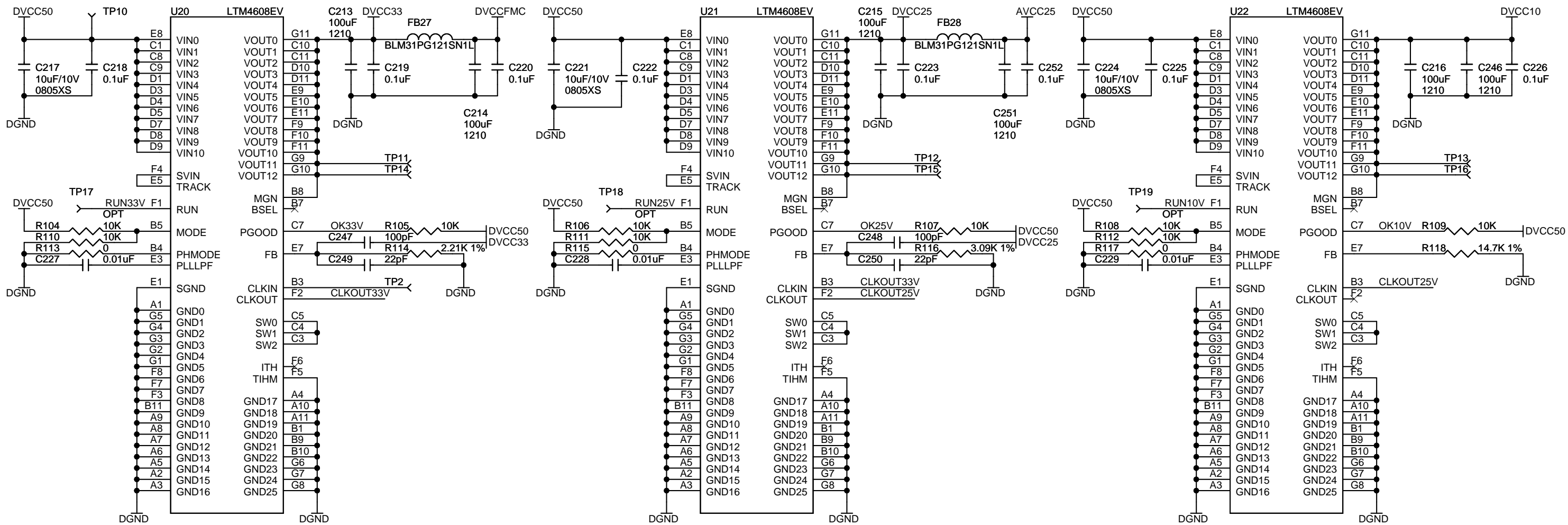


HIGH PIN COUNT



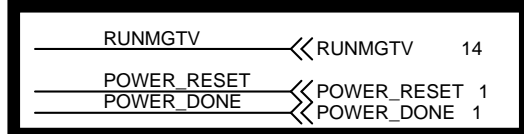
NOTES: UNLESS OTHERWISE SPECIFIED
 1. ALL RESISTORS ARE IN OHMS, 0603.
 2. ALL CAPACITORS ARE 0402

CUSTOMER NOTICE LINEAR TECHNOLOGY HAS MADE A BEST EFFORT TO DESIGN A CIRCUIT THAT MEETS CUSTOMER-SUPPLIED SPECIFICATIONS; HOWEVER, IT REMAINS THE CUSTOMER'S RESPONSIBILITY TO VERIFY PROPER AND RELIABLE OPERATION IN THE ACTUAL APPLICATION. COMPONENT SUBSTITUTION AND PRINTED CIRCUIT BOARD LAYOUT MAY SIGNIFICANTLY AFFECT CIRCUIT PERFORMANCE OR RELIABILITY. CONTACT LINEAR TECHNOLOGY APPLICATIONS ENGINEERING FOR ASSISTANCE.		CONTRACT NO. APPROVALS PCB DES. KIM T. ENG. GARY YU	<p>1630 McCarthy Blvd. Milpitas, CA 95035 Phone: (408)432-1900 Fax: (408)434-0507 LTC Confidential-For Customer Use Only</p>
<p>TITLE: SCHEMATIC</p> <p>PSTACHE</p>		DATE: Friday, October 10, 2014	<p>SIZE: B</p> <p>IC NO.: DC1371B - HSDAACS</p> <p>REV: 1</p>
THIS CIRCUIT IS PROPRIETARY TO LINEAR TECHNOLOGY AND SUPPLIED FOR USE WITH LINEAR TECHNOLOGY PARTS.		SHEET 12 OF 16	



NOTES: UNLESS OTHERWISE SPECIFIED

1. ALL RESISTORS ARE IN OHMS, 0603.
2. ALL CAPACITORS ARE 0603



CUSTOMER NOTICE

LINEAR TECHNOLOGY HAS MADE A BEST EFFORT TO DESIGN A CIRCUIT THAT MEETS CUSTOMER-SUPPLIED SPECIFICATIONS; HOWEVER, IT REMAINS THE CUSTOMER'S RESPONSIBILITY TO VERIFY PROPER AND RELIABLE OPERATION IN THE ACTUAL APPLICATION. COMPONENT SUBSTITUTION AND PRINTED CIRCUIT BOARD LAYOUT MAY SIGNIFICANTLY AFFECT CIRCUIT PERFORMANCE OR RELIABILITY. CONTACT LINEAR TECHNOLOGY APPLICATIONS ENGINEERING FOR ASSISTANCE.

THIS CIRCUIT IS PROPRIETARY TO LINEAR TECHNOLOGY AND SUPPLIED FOR USE WITH LINEAR TECHNOLOGY PARTS.

CONTRACT NO.

APPROVALS

PCB DES. KIM T.

ENG. GARY YU

1630 McCarthy Blvd.
Milpitas, CA 95035
Phone: (408)432-1900
Fax: (408)434-0507
LTC Confidential-For Customer Use Only

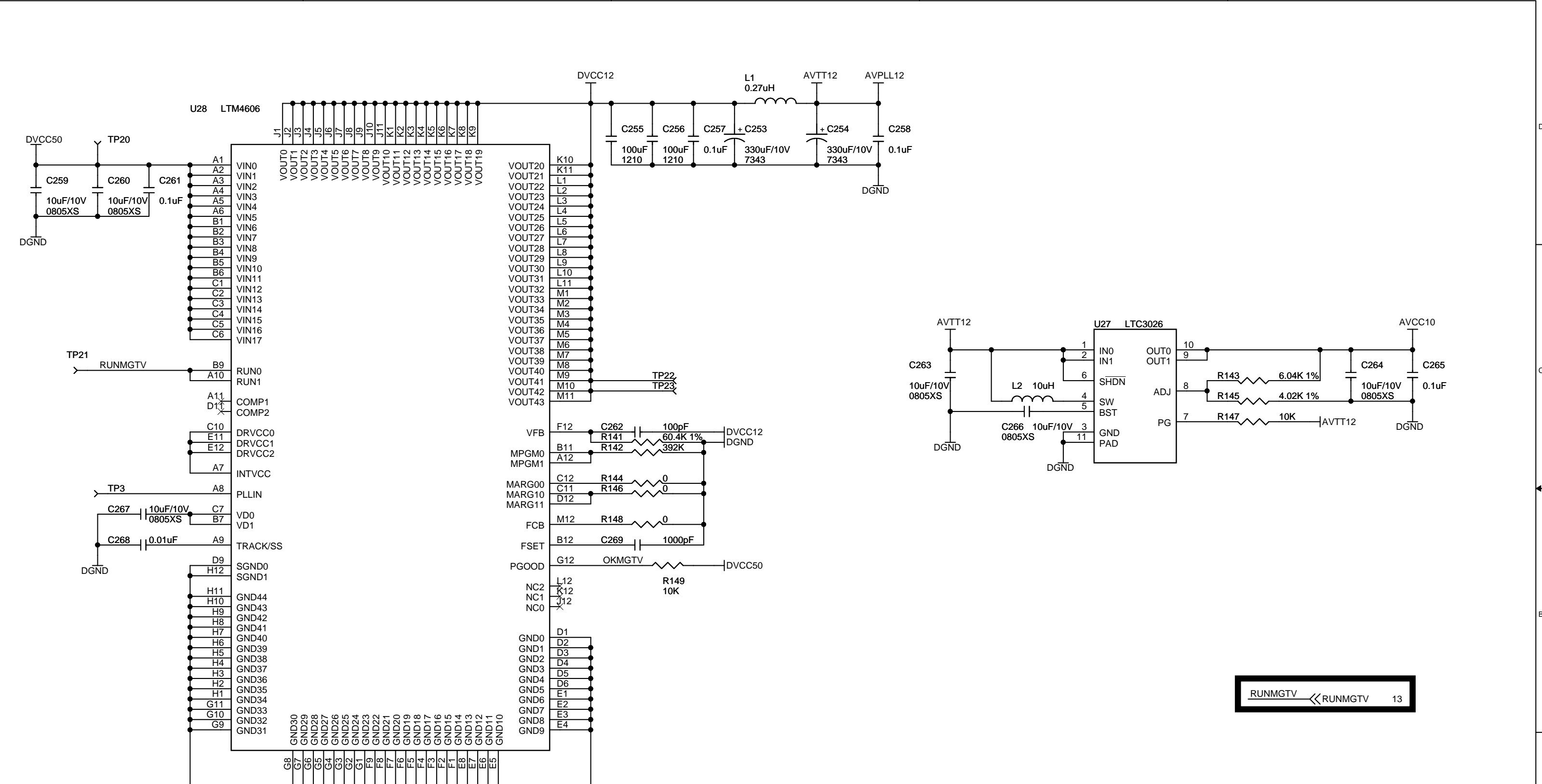
LINEAR TECHNOLOGY

TITLE: SCHEMATIC

PSTACHE

SIZE B IC NO. DC1371B - HSDAACS REV 1

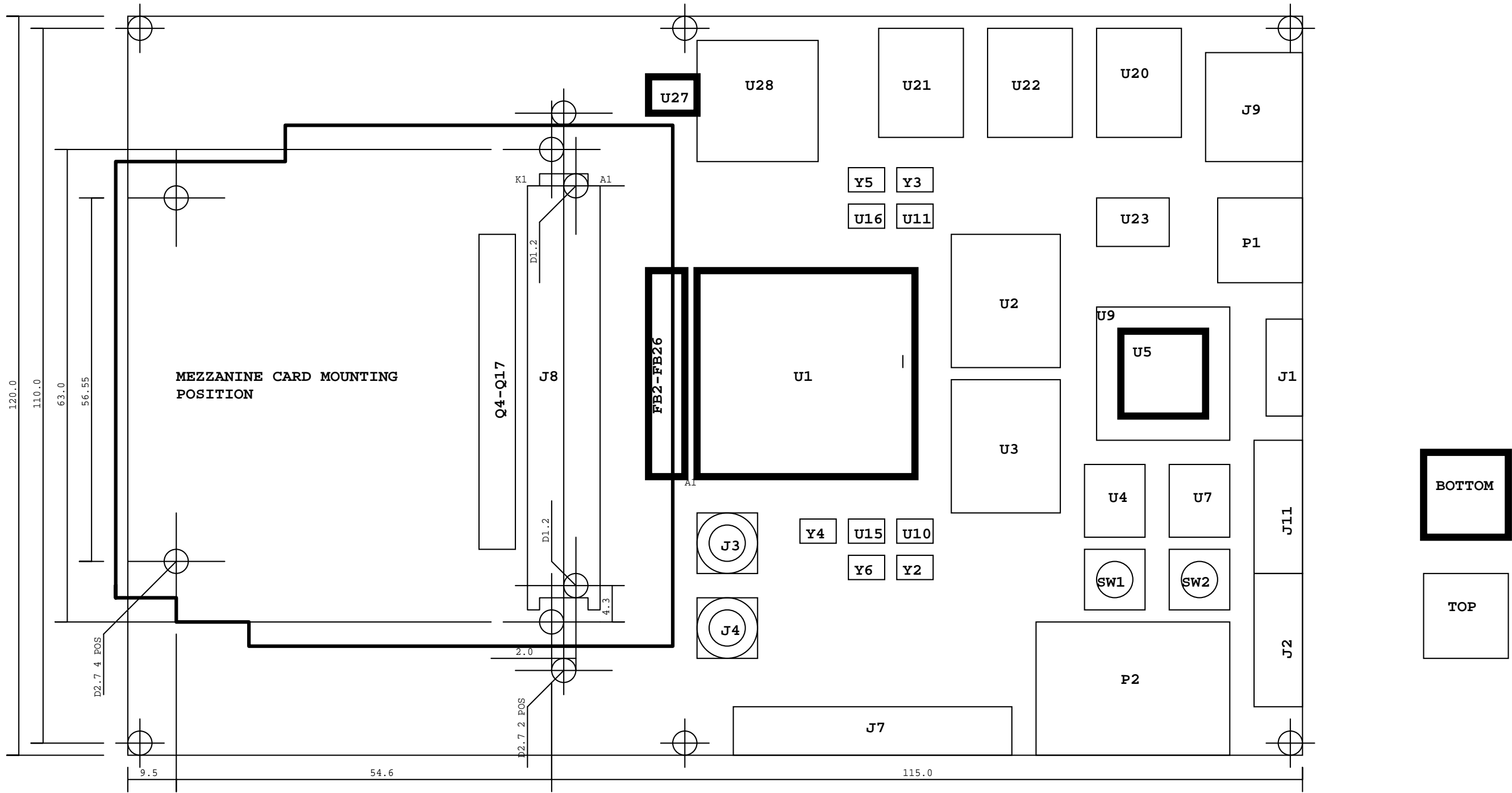
DATE: Friday, October 10, 2014 SHEET 13 OF 16



RUNMGTV << RUNMGTV 13

NOTES: UNLESS OTHERWISE SPECIFIED
 1. ALL RESISTORS ARE IN OHMS, 0603.
 2. ALL CAPACITORS ARE 0603

CUSTOMER NOTICE		CONTRACT NO.		LINEAR TECHNOLOGY 1630 McCarthy Blvd. Milpitas, CA 95035 Phone: (408)432-1900 Fax: (408)434-0507 LTC Confidential-For Customer Use Only	
		APPROVALS			
LINEAR TECHNOLOGY HAS MADE A BEST EFFORT TO DESIGN A CIRCUIT THAT MEETS CUSTOMER-SUPPLIED SPECIFICATIONS; HOWEVER, IT REMAINS THE CUSTOMER'S RESPONSIBILITY TO VERIFY PROPER AND RELIABLE OPERATION IN THE ACTUAL APPLICATION. COMPONENT SUBSTITUTION AND PRINTED CIRCUIT BOARD LAYOUT MAY SIGNIFICANTLY AFFECT CIRCUIT PERFORMANCE OR RELIABILITY. CONTACT LINEAR TECHNOLOGY APPLICATIONS ENGINEERING FOR ASSISTANCE.		PCB DES. KIM T.		PSTACHE DC1371B - HSDAACS	
		ENG. GARY YU			
THIS CIRCUIT IS PROPRIETARY TO LINEAR TECHNOLOGY AND SUPPLIED FOR USE WITH LINEAR TECHNOLOGY PARTS.		SIZE	IC NO.	REV 1	
		B	DC1371B - HSDAACS		
		DATE: Friday, October 10, 2014		SHEET 14 OF 16	



CUSTOMER NOTICE

LINEAR TECHNOLOGY HAS MADE A BEST EFFORT TO DESIGN A CIRCUIT THAT MEETS CUSTOMER-SUPPLIED SPECIFICATIONS; HOWEVER, IT REMAINS THE CUSTOMER'S RESPONSIBILITY TO VERIFY PROPER AND RELIABLE OPERATION IN THE ACTUAL APPLICATION. COMPONENT SUBSTITUTION AND PRINTED CIRCUIT BOARD LAYOUT MAY SIGNIFICANTLY AFFECT CIRCUIT PERFORMANCE OR RELIABILITY. CONTACT LINEAR TECHNOLOGY APPLICATIONS ENGINEERING FOR ASSISTANCE.

THIS CIRCUIT IS PROPRIETARY TO LINEAR TECHNOLOGY AND SUPPLIED FOR USE WITH LINEAR TECHNOLOGY PARTS.

CONTRACT NO.

APPROVALS

PCB DES. KIM T.

ENG. GARY YU



1630 McCarthy Blvd.
Milpitas, CA 95035
Phone: (408)432-1900
Fax: (408)434-0507
LTC Confidential-For Customer Use Only

TITLE: SCHEMATIC

PSTACHE

SIZE
B

IC NO.

DC1371B - HSDAACS

REV
1

DATE: Friday, October 10, 2014

SHEET 15 OF 16

NOTES:

UNIT: mm

Revision History

Revision A:
Initial version

Revision A - 1:


- 1) Added SDCARD for a flash memory option(P2).
- 2) Removed standby power mode.
- 3) Moved "MGTRXP/NO_118 to FMC low pin count.
- 4) Enabled CPU auto detecting USB cable plugging feature.
- 5) Expanded 4M bits SRAM space.
- 6) Fixed P1 pin assignment layout error.
- 7) Tied U1.V10 to ground.
- 8) Re-assigned HPC32, 34, 36, 38, 40, 43, 44.
- 9) Re-assigned CLK_118_SEL, CLK_118_ON, CLK_114_SEL, CLK_114_ON, CLK_IODLY_ON.
- 10) Re-assigned USERIO[23:0]. Two of them has been connected to CPLD.
- 11) Removed USERIO[36:24].
- 12) Added dedicated JTAG interface for CPU.
- 13) Fixed DCI issues.
- 14) Fixed FPGA configuration pin issues.
- 15) Added pullup resistors option for I2C.
- 16) Swapped CLK_112_EXTIN_P/N and CLK_118_EXTIN_P/N on FMC connector.

Revision A - 2:

- 1) Added Two tool mounting holes for J8 installation issue.
- 2) Added test points TP10-TP23.
- 3) Removed Test points TP6-TP9. Open solder mask on pin E4, K4 of U2 and E4, K4 of U3 on bottom side for probing.
- 4) Do not install Q20 and added R178.

Revision B - 1:

- 1) Replace IDT SRAM with ISSI SRAM

CUSTOMER NOTICE LINEAR TECHNOLOGY HAS MADE A BEST EFFORT TO DESIGN A CIRCUIT THAT MEETS CUSTOMER-SUPPLIED SPECIFICATIONS; HOWEVER, IT REMAINS THE CUSTOMER'S RESPONSIBILITY TO VERIFY PROPER AND RELIABLE OPERATION IN THE ACTUAL APPLICATION. COMPONENT SUBSTITUTION AND PRINTED CIRCUIT BOARD LAYOUT MAY SIGNIFICANTLY AFFECT CIRCUIT PERFORMANCE OR RELIABILITY. CONTACT LINEAR TECHNOLOGY APPLICATIONS ENGINEERING FOR ASSISTANCE.	CONTRACT NO.		 LINEAR TECHNOLOGY 1630 McCarthy Blvd. Milpitas, CA 95035 Phone: (408)432-1900 Fax: (408)434-0507 LTC Confidential-For Customer Use Only	
	APPROVALS			
	PCB DES. KIM T.			
	ENG. GARY YU			
THIS CIRCUIT IS PROPRIETARY TO LINEAR TECHNOLOGY AND SUPPLIED FOR USE WITH LINEAR TECHNOLOGY PARTS.		TITLE: SCHEMATIC <h2 style="text-align: center;">PSTACHE</h2>		
		SIZE B	IC NO. <h1 style="text-align: center;">DC1371B - HSDAACS</h1>	REV 1
		DATE: Friday, October 10, 2014		SHEET 16 OF 16