



RADIAL®
Fibre Optic Components

TECHNICAL DATA SHEET

F 709 038 000

Titre: ST2 MULTIMODE PLUG \varnothing 230 μ m CERAMIC FERRULE CABLE \varnothing 2.7 to 3

Series
F709

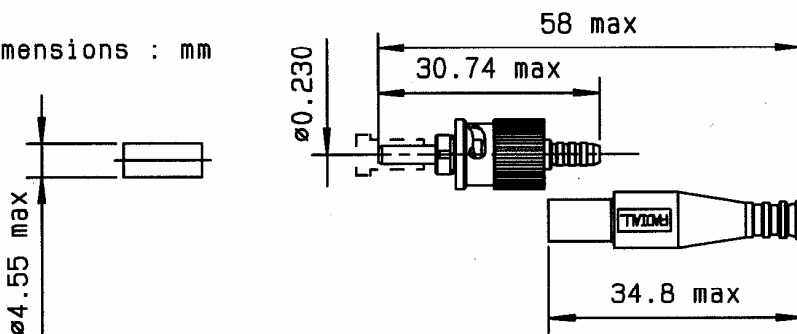
Issue:
06-04-00

Page
1/1

PACKAGING : SINGLE

mm to inch : 0.03937

Dimensions : mm



BOOT :
- COLOUR BLACK
- INFLAMMABILITY : V1 (UL94)
- MATERIAL IN ACCORDANCE WITH BELLCORE GR 326 CORE
Issue 2, par. 3.3.1

BODY :
- BRASS
- NICKEL PLATED

GENERAL

- TYPE :** - IEC 1754-2 Type BFOC/2.5 - "ST2"
- Ceramic Zirconia ferrule 20 mm pre-radius
- Bayonet latching system
- FIBRE :** - Multimode 200/230
- CABLE :** - Cable \varnothing 2.7 to 3 mm (Hex. 3.84)
- WIRING :** ASSEMBLY PROCEDURE D611200E
- For a tight cable \varnothing 2 with aramid strength member and a coated fiber \varnothing 0.9 :
----- See procedure F709PC02
 - For a loose cable \varnothing 3 with aramid strength member, a tube \varnothing 0.6/1 and a coated fiber \varnothing 0.25 :-----See procedure F709PC30

CHARACTERISTICS

(Depending on fibre or cable construction)

- OPTICAL:** Typical insertion loss (IEC 1300-3-4, Methode B or CECC 86000 Methode 7) with adaptor F709730000 at 850 nm.
- Typical : 1 dB
 - Standard deviation : 0.2 dB
 - Reproducibility ; 0.07 dB
- Return loss (IEC 61300-3-6 Methode B or CECC Methode 3, OTDR) :
- >30 dB (PC)
- MECHANICAL :**
- Mating life : 500 mating cycles
 - Fibre retention : 5 N
 - Cable retention : 100 N
 - Vibrations : 10-55Hz, 1.5 mm
- ENVIRONMENTAL:-** Climatic category : 25/70/4 0.2 dB

CREATION					
N°	: EPF 9752				
Name	: CAUSSE C				
Date	: 10-26-98	05/04/00	Change of protective cap	Lahera R	
Verif.:	VALENCIA	10-26-98	First issue	VALENCIA	
		Issue	Revisions	Name	Approved

..This information is intended as a guide only.To ensure a continuing policy of product improvement,RADIAL reserves the right to modify its specifications without prior notification