

Customer Information Sheet

DRAWING No.: M80-943XX05 SHEET 2 OF 2

IF IN DOUBT - ASK

©

NOT TO SCALE

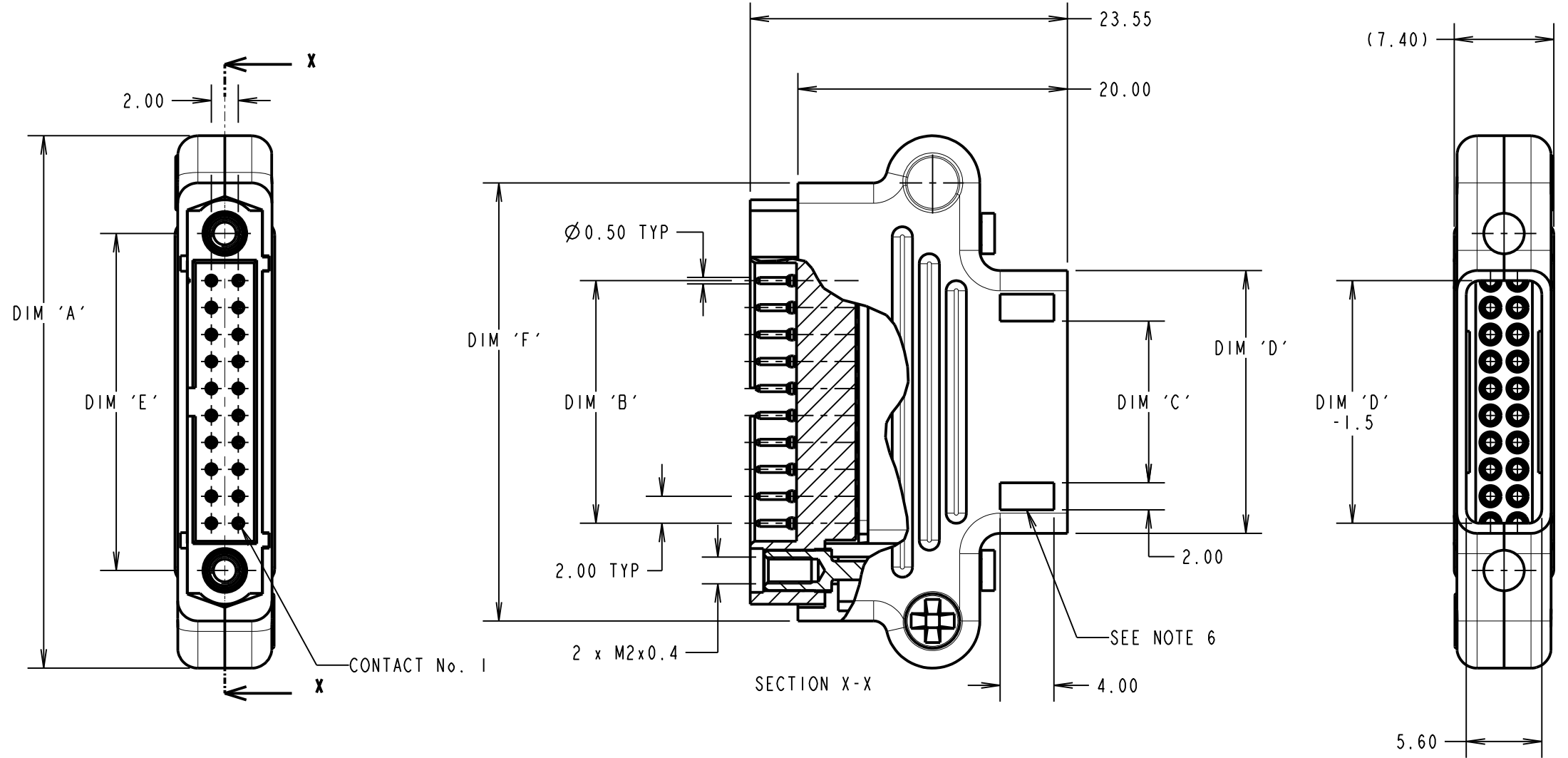
THIRD ANGLE PROJECTION

ALL DIMENSIONS IN mm

ORDER CODE:
M80-943XX05

TOTAL No. OF CONTACTS
06, 08, 10, 12, 14,
20, 26, 34, 42, 50

SPECIFICATIONS:
MATERIAL:
 CABLE HOOD = 30% GLASS-FILLED POLYAMIDE 46
 DATAMATE MOULDING = 30% GLASS-FILLED PPS,
 UL94V-0, BLACK
 CONTACT = BRASS
 JACKSCREW = STAINLESS STEEL
 CABLE HOOD FIXING SCREW = STAINLESS STEEL
FINISH:
 CONTACT:
 05 = 0.25-0.3µm GOLD
 CABLE HOOD FIXING SCREW = BLACK NICKEL
ELECTRICAL:
 CURRENT RATING AT 25°C = 3.0A MAX
 CURRENT RATING AT 85°C = 2.2A MAX
 WORKING VOLTAGE = 800V AC/DC
 VOLTAGE PROOF = 1200V AC/DC
 CONTACT RESISTANCE = 25mΩ MAX
 INSULATION RESISTANCE = 100MΩ MIN
MECHANICAL:
 DURABILITY = 500 OPERATIONS
ENVIRONMENTAL:
 TEMPERATURE RANGE = -55°C TO +125°C
PACKING:
 BAG
 FOR COMPLETE SPECIFICATION, SEE COMPONENT
 SPECIFICATION C005XX (LATEST ISSUE)



- NOTES:**
- CONNECTORS ARE SUPPLIED WITH CONTACTS, CABLE HOOD SET, AND CABLE HOOD FIXING SCREWS LOOSE.
 - FOR EXTRA CONTACTS, USE PART NUMBER M80-1940005.
 - RECOMMENDED WIRE TYPE = BS 3G 210 TYPE A, PTFE INSULATED 22 AWG. MAX INSULATION DIAMETER = $\varnothing 1.10\text{mm}$, STRIP WIRE BY 2.00mm.
 - RECOMMENDED HAND CRIMP TOOL = M22520/2-01 WITH POSITIONER Z80-193. REFER TO TOOLING INSTRUCTION SHEET IS-01 FOR COMPLETE CRIMPING INSTRUCTIONS.
 - CONTACT INSERTION AND EXTRACTION TOOL = Z80-280. REFER TO TOOLING INSTRUCTION SHEET IS-25 FOR ASSEMBLY INSTRUCTIONS.
 - NO CABLE TIE SLOTS ON M80-9430605 AND M80-9430805.

PART NUMBER	No. OF CONTACTS	PART DIMENSIONS					
		DIM 'A'	DIM 'B'	DIM 'C'	DIM 'D'	DIM 'E'	DIM 'F'
M80-9430605	6	25.50	4.00	N/A	5.50	11.00	18.50
M80-9430805	8	27.50	6.00	N/A	7.50	13.00	20.50
M80-9431005	10	29.50	8.00	2.00	9.50	15.00	22.50
M80-9431205	12	31.50	10.00	4.00	11.50	17.00	24.50
M80-9431405	14	33.50	12.00	6.00	13.50	19.00	26.50
M80-9432005	20	39.50	18.00	12.00	19.50	25.00	32.50
M80-9432605	26	45.50	24.00	18.00	22.50	31.00	38.50
M80-9433405	34	53.50	32.00	26.00	33.50	39.00	46.50
M80-9434205	42	61.50	40.00	34.00	41.50	47.00	54.50
M80-9435005	50	69.50	48.00	42.00	49.50	55.00	62.50

FM	9	19.03.18	20940
NAME	ISS.	DATE	C/NOTE
APPROVED: F. MCGOWAN			
CHECKED: S. BENNETT			
DRAWN: N. CODLING			
CUSTOMER REF.:			
ASSEMBLY DRG:			

HARWIN

www.harwin.com
technical@harwin.com

THIS DRAWING AND ANY INFORMATION OR DESCRIPTIVE MATTER SET OUT HEREON ARE CONFIDENTIAL AND COPYRIGHT PROPERTY OF THE HARWIN GROUP AND MUST NOT BE DISCLOSED, LOANED, COPIED OR USED FOR MANUFACTURING, TENDERING OR FOR ANY OTHER PURPOSE WITHOUT THEIR WRITTEN PERMISSION.

TOLERANCES

X. = $\pm 1\text{mm}$
 X.X = $\pm 0.50\text{mm}$
 X.XX = $\pm 0.10\text{mm}$
 X.XXX = $\pm 0.01\text{mm}$
 ANGLES = $\pm 5^\circ$
 UNLESS STATED

MATERIAL:

SEE ABOVE

FINISH:

SEE ABOVE

S/AREA:

mm²

TITLE: JACKSCREW DATAMATE DIL CRIMP (LARGE BORE) MALE ASSY WITH CABLE HOOD KIT

DRAWING NUMBER:

M80-943XX05

SHT
2 OF 2