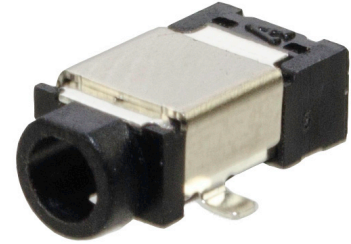


MODEL: PJ-038-SMT-TR | **DESCRIPTION:** DC POWER JACK

FEATURES

- 0.65 mm center pin
- 1.0 A rating
- right angle orientation
- surface mount (SMT)
- shielded

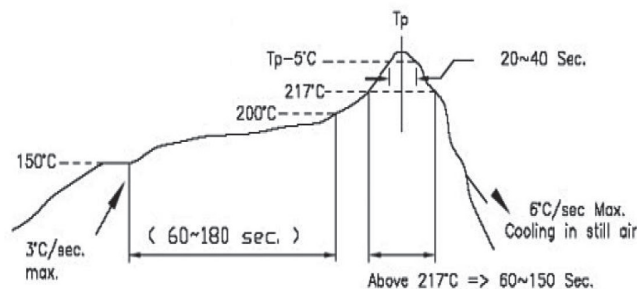

SPECIFICATIONS

| parameter | conditions/description | min | typ | max | units |
|----------------------------|--|-----|-------|----------|----------|
| rated input voltage | | | 24 | | Vdc |
| rated input current | | | | 1.0 | A |
| contact resistance | between terminal and mating plug between terminal in a closed circuit | | | 50 30 | mΩ mΩ |
| insulation resistance | at 500 Vdc | 100 | | | MΩ |
| voltage withstand | for 1 minute | | | 500 | Vac |
| insertion/withdrawal force | | 0.5 | | 2 | kg |
| operating temperature | | -25 | | 85 | °C |
| life | | | 5,000 | | cycles |
| flammability rating | UL94V-0 | | | | |
| RoHS | yes | | | | |

SOLDERABILITY

| parameter | conditions/description | min | typ | max | units |
|--------------------------------|--|-----|-----|-----|-------|
| reel storage | 10~30°C, <70% humidity | | | | °C |
| reflow soldering ¹ | see reflow profile | 255 | 260 | | °C |
| drying conditions ² | parts in reel: bake at 110°C for 4 hours parts removed from reel: bake at 110°C for 4 hours | | | | |

Note: 1. CUI Devices recommends to solder within 72 hours from opening vacuum packaging at a temperature <30°C & relative humidity <60%.
2. When exceeding floor life by >240 hours.

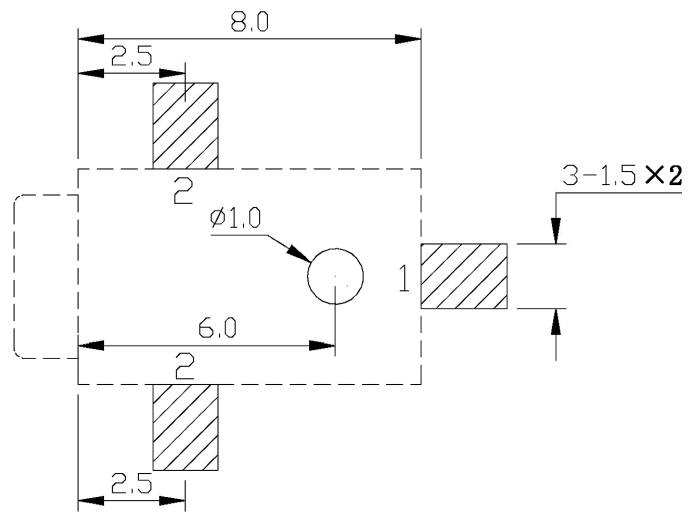
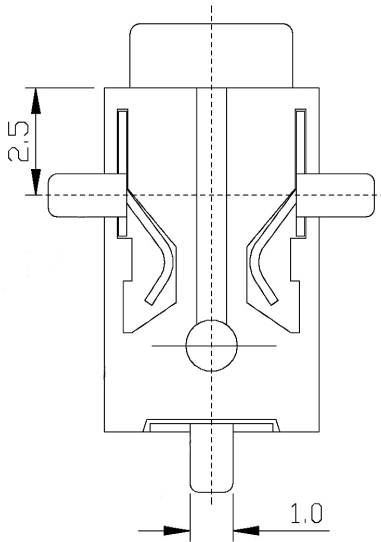
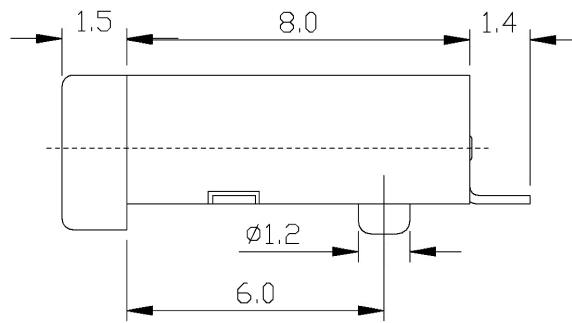
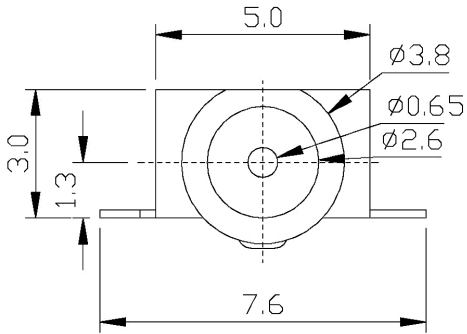


* Time 25°C to Peak Temp. ----- 8 Minutes Max.
* Time within 5°C of Actual Peak Temp. --- 20~40 Seconds

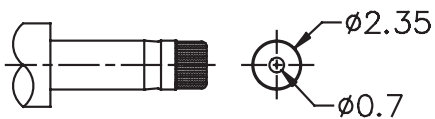
MECHANICAL DRAWING

units: mm
 tolerance:
 X. ±0.15 mm
 X.X ±0.10 mm
 X.XX ±0.05 mm
 PCB: ±0.05 mm
 unless otherwise specified

| DESCRIPTION | MATERIAL | PLATING/COLOR |
|-------------|------------------------|---------------|
| center pin | brass | silver |
| terminal 1 | brass t=0.25 | silver |
| terminal 2 | phosphor bronze t=0.25 | silver |
| shield | phosphor bronze t=0.25 | silver |
| housing | PPA (UL94V-0) | black |



Recommended PCB Layout
Top View



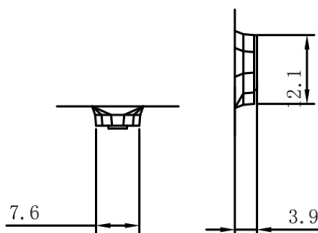
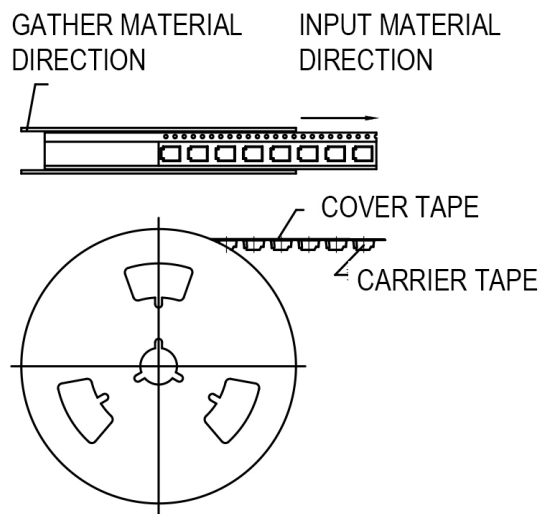
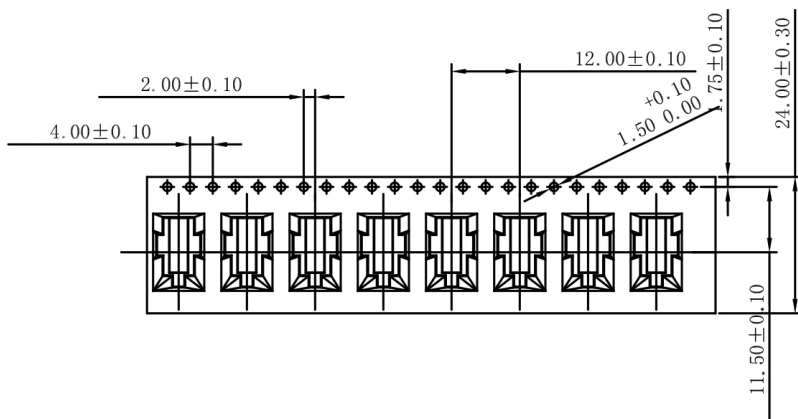
MATING PLUG
Jack Insertion Depth: 7.0 mm

| | |
|------------|---------------|
| SCHEMATIC | |
| Model | PJ-038-SMT-TR |
| Center Pin | Ø0.65 mm |

PACKAGING

units: mm

Reel Size: $\varnothing 380$ mm
 Reel QTY: 1,500 pcs per reel



REVISION HISTORY

| rev. | description | date |
|------|---|------------|
| 1.0 | initial release | 02/02/2007 |
| 1.01 | added TR package option and jack insertion depth | 11/07/2012 |
| 1.02 | applied new spec template | 08/28/2013 |
| 1.03 | increased voltage rating | 04/14/2016 |
| 1.04 | changed housing, added storage and drying conditions, and tape and reel packaging details | 01/03/2018 |
| 1.05 | brand update | 10/21/2019 |
| 1.06 | changed shield material to be stainless steel | 04/02/2020 |
| 1.07 | logo, datasheet style update | 08/05/2022 |
| 1.08 | product reengineered for improved manufacturability and production yield, see PCN for details | 01/10/2023 |

The revision history provided is for informational purposes only and is believed to be accurate.



CUI Devices offers a one (1) year limited warranty. Complete warranty information is listed on our website.

CUI Devices reserves the right to make changes to the product at any time without notice. Information provided by CUI Devices is believed to be accurate and reliable. However, no responsibility is assumed by CUI Devices for its use, nor for any infringements of patents or other rights of third parties which may result from its use.

CUI Devices products are not authorized or warranted for use as critical components in equipment that requires an extremely high level of reliability. A critical component is any component of a life support device or system whose failure to perform can be reasonably expected to cause the failure of the life support device or system, or to affect its safety or effectiveness.

cuidevices.com